

ECONOLITE ASC/3-2070 BRIDGE PREEMPT PROGRAMMING DETAIL

- From Main Menu select **4. PREEMPTOR/TSP**
- From PREEMPTOR/TSP/SCP Submenu select **1. PREEMPT PLAN 1-10**

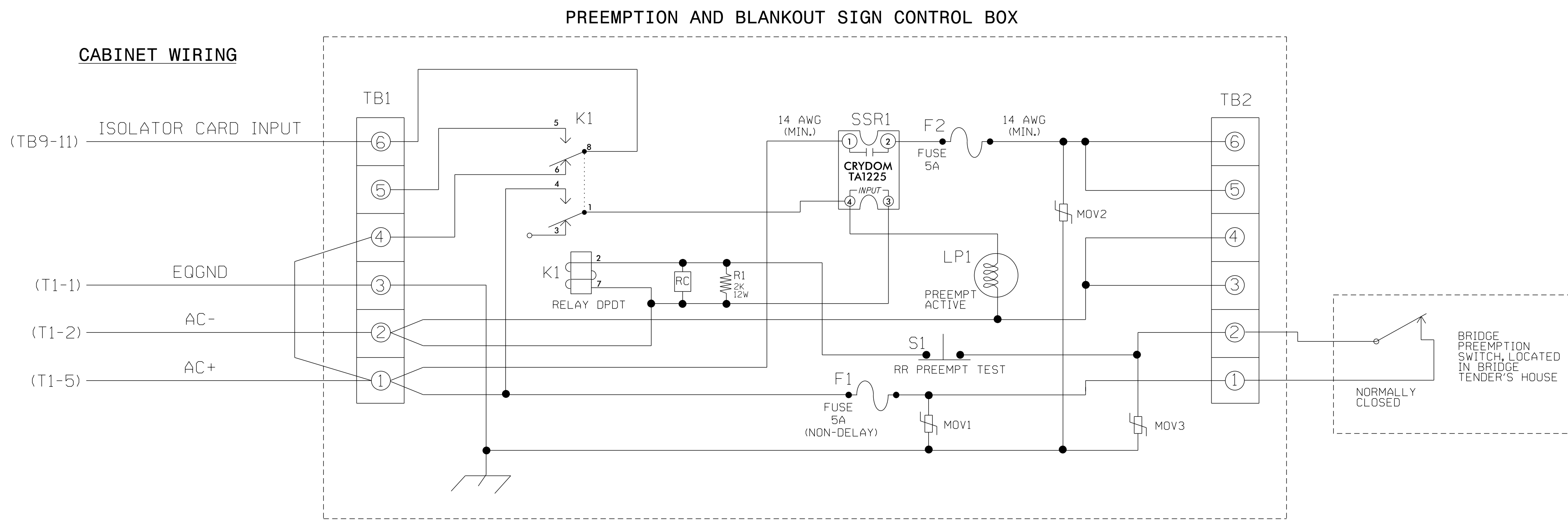
Place cursor in [] next to Preempt Plan and press 3. Then press the right cursor arrow and toggle the controller to YES. Next cursor down. This will select Emergency Vehicle Preempt #3.

PREEMPT PLAN [3]	ENABLE....YES
VEH/PED 1 2 3 4 5 6 7 8 9 0 1 2 3 4 5 6	
OVERLAP A B C D E F G H I J K L M N O P	
TRKCLR V X X	
TRKCLR OF1	
ENA TRL	
DWEL VEH X	
DWEL PED	
DWEL OLP	
CYC VEH	
CYC PED	
CYC OLP	
EXIT PH . X X	
EXIT CAL	
SP FUNC	

ENABLE... YES	IPMT	OVRIDE	X	INTERLOCK	NO
DET LOCK... X	IDELAY..	O	INHIBIT... 0		
OVERIDE FL. .	IDURATION	O	ICLR-GRN... NO		
TERM OLP. NO	IPC>YEL	NO	ITERM PH NO		
PED DARK.. NO	ITC RESRV	YES	IDWELL FL OFF		
LINK PMT....O	IX FLCOLR	RED	IXIT OPT. OFF		
X TMG PLN...O	IRE-SERV..	O	IFLT TYPE.HARD		
FREE DUR PMT	IR1 NOIR2	NOIR3	NOIR4 NO		
--TIMING----	WALKIPED	CLIMN	GRI YELI RED		
ENTRANCE TM.	255I 255I	1125.5	125.5		
-----MIN	GRIEXT	GRIMX	GRI YELI RED		
TRACK CLEAR	25I 0I	0125.5	125.5		
-----MIN	DLIPMTEXT	IMX TMI	YELI RED		
DWL/CYC-EXIT	10I 0.0I	225125.5	125.5		
PMT ACTIVE OUT..	ON	PMT ACT	DWELL...NO		
OTHER - PRI	PMT.OFF	NON-PRI	PMT.....OFF		
INH EXT TIME... 0.0	PED PR	RETURN...OFF			
PRIORITY RETURN.OFF	QUEUE	DELAY.... OFF			
COND DELAY.....OFF					
PHASES	1 2 3 4 5 6 7 8				
PR RTN%	0 0 0 0 0 0 0 0				
PHASES	9 10 11 12 13 14 15 16				
PR RTN%	0 0 0 0 0 0 0 0				

BRIDGE PREEMPTION WIRING DETAIL

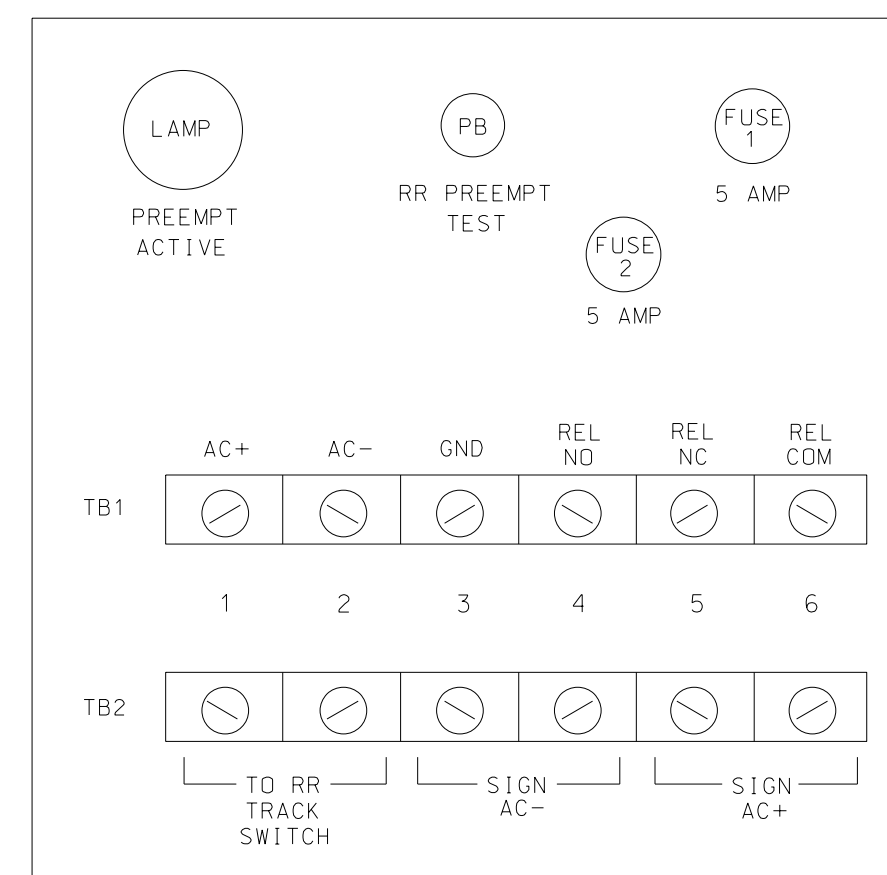
(wire as shown below)



NOTES

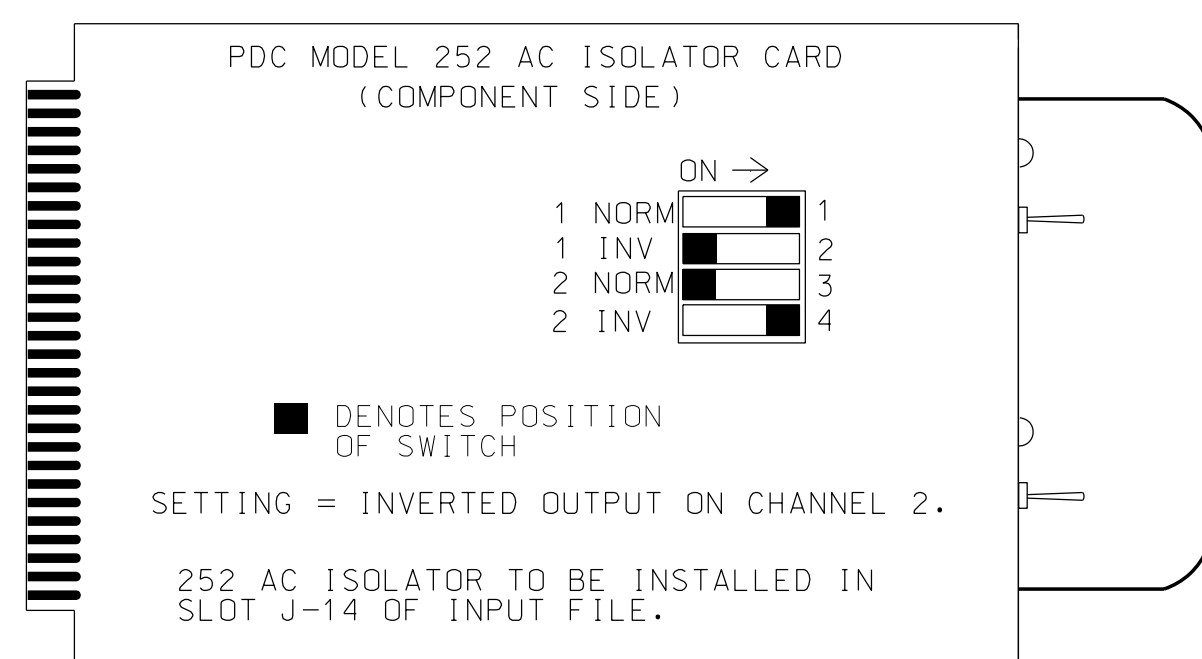
- Relay K1 is shown in the energized (Preempt not active) normal operation state.
- Relay K1 is a DPDT with 120VAC coil with actual base.
- Relay SSR1 is a SPST (normally open) Solid State Relay with AC input and AC (25 amp) output.
- AC Isolator Card shall activate preemption upon removal of AC+ from the input (as shown above). To accomplish this set invert dip switch on AC Isolator Card.
- IMPORTANT!! Terminal TB9-12 (on input panel) shall be connected to AC neutral (jumper may have to be added).

FRONT VIEW



PREEMPT 2 AC ISOLATOR (MODEL 252) OUTPUT PROGRAMMING DETAIL

(set DIP switches as shown below)



NOTE: IF ANOTHER MANUFACTURER TYPE OF AC ISOLATOR IS USED, OUTPUT PROGRAMMING IS LIKELY NOT TO EQUATE TO THAT SHOWN ABOVE.

THIS ELECTRICAL DETAIL IS FOR THE SIGNAL DESIGN: 01-0010
 DESIGNED: FEBRUARY 2018
 SEALED: 08/22/2018
 REVISED: N/A

Electrical Detail - Sheet 2 of 4

ELECTRICAL AND PROGRAMMING DETAILS FOR: Prepared for the Offices of: DRMP DRMP, Inc. 8000 Regency Parkway, Suite 175 Cary, NC 27519 NC License No. C-2215 (019) 650-1038	US 158 (Elizabeth Street) at Water Street		SEAL SEAL 022516 ENGINEER LISA M. MOON
	Division 1 Pasquotank County Elizabeth City PLAN DATE: February 2018 REVIEWED BY: AJ Davis PREPARED BY: DJ White REVIEWED BY: LM Moon	REVISIONS INIT. DATE	

DOCUMENT NOT CONSIDERED FINAL UNLESS ALL SIGNATURES COMPLETED

DocuSigned by:
 Lisa M. Moon
 9/20/2018
 DATE
 SIG. INVENTORY NO. 01-0010