

ECONOLITE ASC/3-2070 OVERLAP PROGRAMMING DETAIL

(program controller as shown)

1. From Main Menu select 2. CONTROLLER
2. From CONTROLLER Submenu select 2. VEHICLE OVERLAPS

OVERLAP B

Select TMG VEH OVLP [B] and 'PPLT FYA'

TMG VEH OVLP...[B] TYPE:PPLT FYA

PROTECTED LEFT TURN.... PHASE 3

OPPOSING THROUGH..... PHASE 4

FLASHING ARROW OUTPUT.....CH10 ISOLATE

DELAY START OF: FYA..0.0 CLEARANCE..0.0

ACTION PLAN SF BIT DISABLE..... 0

Toggle Twice

↓

OVERLAP D

Select TMG VEH OVLP [D] and 'PPLT FYA'

TMG VEH OVLP...[D] TYPE:PPLT FYA

PROTECTED LEFT TURN.... PHASE 7

OPPOSING THROUGH..... PHASE 8

FLASHING ARROW OUTPUT.....CH12 ISOLATE

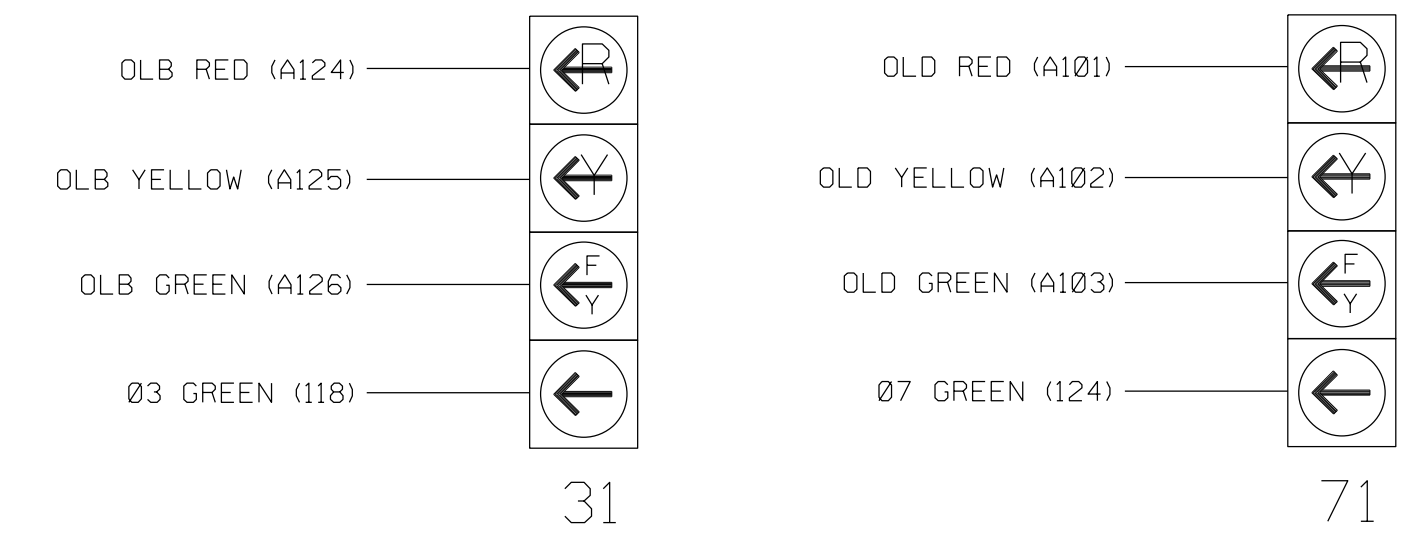
DELAY START OF: FYA..0.0 CLEARANCE..0.0

ACTION PLAN SF BIT DISABLE..... 0

END PROGRAMMING

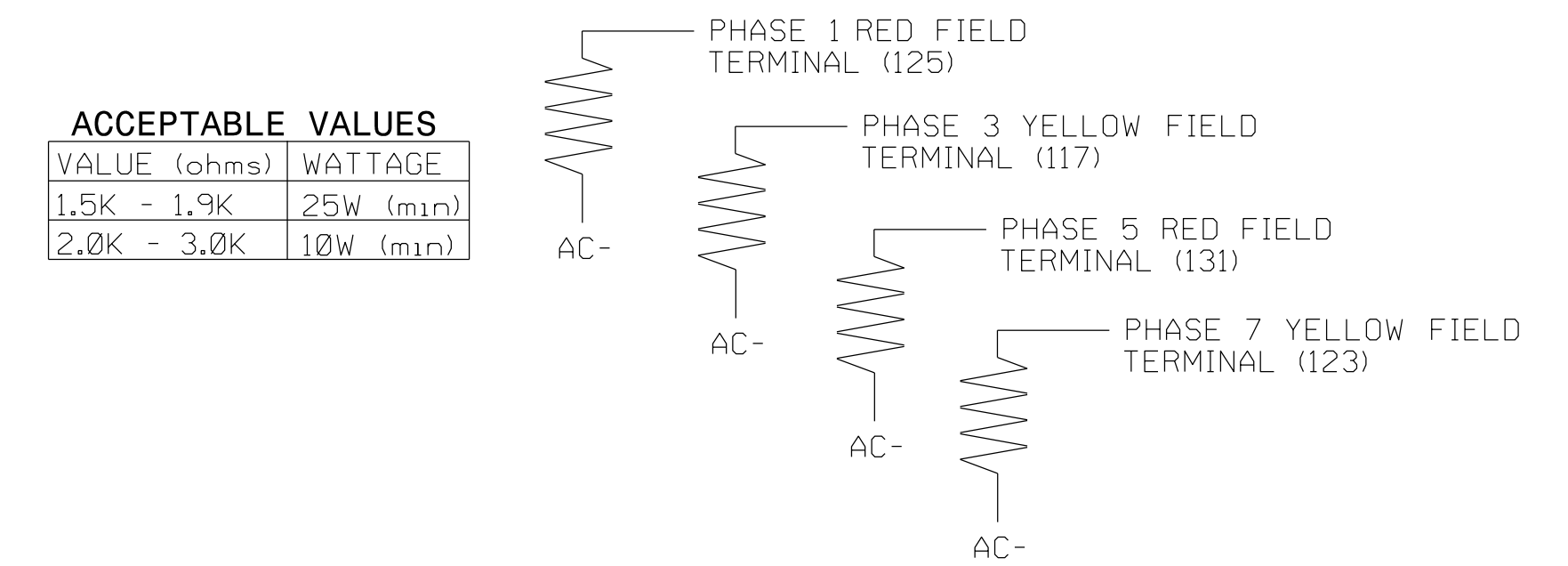
FYA SIGNAL WIRING DETAIL

(wire signal heads as shown)



LOAD RESISTOR INSTALLATION DETAIL

(install resistors as shown)



THIS ELECTRICAL DETAIL IS FOR THE SIGNAL DESIGN: 01-ØØ05
 DESIGNED: FEBRUARY 2018
 SEALED: 09/20/2018
 REVISED: N/A

20-SEP-2018 18:51
 R:\415942\451\001\5405\1\mg401-0005-20180821.e.dgn
 Incon AT CAR-LMD\DMH-W7

Electrical Detail - Sheet 2 of 4



US 17 Bus. (Road Street) at Main Street	
Division 1 Pasquotank County Elizabeth City	
PLAN DATE: February 2018	REVIEWED BY: AJ Davis
PREPARED BY: DJ White	REVIEWED BY: LM Moon
REVISIONS	INIT. DATE

DOCUMENT NOT CONSIDERED FINAL UNLESS ALL SIGNATURES COMPLETED

SEAL

DocuSigned by:
 9/20/2018
 DATE
 SIG. INVENTORY NO. 01-0005