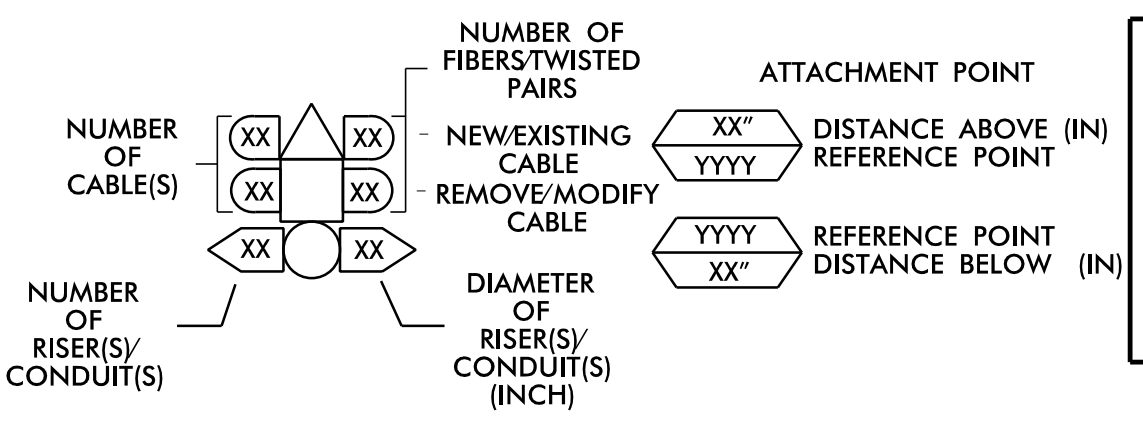


- NOTES:
- UNLESS OTHERWISE NOTED:
 - OVERLASH NEW FIBER OPTIC CABLE TO EXISTING COMMUNICATIONS CABLE.
 - ATTACH NEW MESSENGER CABLE 40" BELOW POWER
 - ATTACH ON FRONT SIDE (FS) OF POLE
 - SEAL ALL CONDUIT ENDS WITH DUCT AND CONDUIT SEALER, AT ALL JUNCTION BOX/CABINET ENTRANCES.
 - ALTERNATE CONSTRUCTION METHODS MAY BE USED FOR INSTALLING CONDUIT WITH ENGINEER'S APPROVAL. CONDUIT WILL BE PAID FOR UNDER INSTALLATION METHODS SHOWN ON THESE PLANS.
 - CONTRACTOR TO EXERCISE CAUTION SO AS NOT TO DAMAGE EXISTING CULVERT OR UNDERGROUND UTILITIES DURING CONDUIT INSTALLATION. HAND DIG BETWEEN EOP AND GUARDRAIL.

1	NOT USED	15	DIRECTIONAL DRILL CONDUIT	29	INSTALL UNDERGROUND SPLICE ENCLOSURE	43	NOT USED	55	LASH CABLE(S) TO EXISTING MESSENGER CABLE
2	NOT USED	16	NOT USED	30	INSTALL AERIAL SPLICE ENCLOSURE	44	INSTALL AERIAL GUY ASSEMBLY	56	LASH CABLE(S) TO NEW MESSENGER CABLE
3	INSTALL ETHERNET CABLE	17	INSTALL CABLE(S) IN EXISTING CONDUIT	31	NOT USED	45	INSTALL STANDARD GUY ASSEMBLY	57	HANDLASH AND INSTALL AERIAL CABLE PROTECTOR
4	INSTALL SMFO CABLE	18	INSTALL CABLE(S) IN NEW CONDUIT	32	NOT USED	46	INSTALL SIDEWALK GUY ASSEMBLY	58	NOT USED
5	NOT USED	19	INSTALL CABLE(S) IN EXISTING RISER	33	NOT USED	47	INSTALL MESSENGER CABLE	59	BOND TRACER WIRE TO EQUIPMENT GROUND BUS
6	INSTALL FIBER OPTIC DROP CABLE	20	INSTALL CABLE(S) IN NEW RISER	34	NOT USED	48A	REMOVE EXISTING COMMUNICATIONS CABLE AND MESSENGER CABLE	60	DO NOT BOND TRACER WIRE TO EQUIPMENT GROUND BUS
7	INSTALL TRACER WIRE	21	INSTALL CABLE(S) IN EXISTING CONDUIT STUBOUTS	35	NOT USED	48B	REMOVE EXISTING COMMUNICATIONS CABLE	61	BOND RISER AND MESSENGER CABLE TO POLE GROUND
8	TRENCH	22	INSTALL NEW CONDUIT INTO EXISTING CABINET BASE (USE EXISTING CONDUIT STUB-OUTS WHEN AVAILABLE)	36	INSTALL CCTV CAMERA ASSEMBLY	49	NOT USED	62	BOND RISER TO POLE GROUND
9	INSTALL PVC CONDUIT	23	INSTALL NEW RISER INTO EXISTING CABINET BASE (USE EXISTING CONDUIT STUB-OUTS WHEN AVAILABLE)	37	INSTALL CCTV CAMERA 50' WOOD POLE	50	NOT USED	63	BOND MESSENGER CABLE TO POLE GROUND
10	INSTALL RIGID, GALVANIZED STEEL CONDUIT	24	INSTALL NEW CONDUIT INTO EXISTING POLE MOUNTED CABINET	38	NOT USED	51	INSTALL CABLE STORAGE RACKS (SNOW SHOES) AND STORE 100 FEET OF EACH CABLE	64	INSTALL MOLDABLE DUCT SEAL
11	INSTALL RIGID, GALVANIZED STEEL RISER WITH WEATHERHEAD	25	INSTALL NEW RISER INTO EXISTING POLE MOUNTED CABINET	39	INSTALL JUNCTION BOX	52A	INSTALL DELINEATOR MARKER	65	SLACK SPAN
12	INSTALL RIGID, GALVANIZED STEEL RISER WITH FIBER OPTIC CABLE SEAL	26A	MODIFY EXISTING INTERCONNECT CENTER /SPLICE ENCLOSURE	40A	INSTALL OVERSIZED JUNCTION BOX	52B	INSTALL JUNCTION BOX MARKER		
13	INSTALL HEAT SHRINK TUBING RETROFIT KIT	26B	MODIFY/RELOCATE EXISTING FIBER OPTIC TRANSCEIVER	40B	INSTALL SPECIAL OVERSIZED JUNCTION BOX (36" x 24" x 24")	53A	STORE 30 FEET OF COMMUNICATIONS CABLE		
14A	NOT USED	27	INSTALL NEW ETHERNET EDGE SWITCH IN CABINET	41	REMOVE EXISTING JUNCTION BOX	53B	STORE 50 FEET OF EACH COMMUNICATIONS CABLE		
14B	INSTALL POLYETHYLENE CONDUIT	28	INSTALL INTERCONNECT CENTER, PATCH PANEL, JUMPERS, AND FUSION SPLICE CABLE IN CABINET	42	INSTALL WOOD POLE	54	LASH CABLE(S) TO EXISTING SIGNAL/COMMUNICATIONS CABLE		



PLANS PREPARED BY :

RK&K

RUMMEL, KLEPPER & KAHL, LLP
 900 RIDGEFIELD DRIVE SUITE 350
 RALEIGH, NORTH CAROLINA 27609-3960
 NC LICENSE NO. F-0112 • (919) 878-9560

DOCUMENT NOT CONSIDERED FINAL UNLESS ALL SIGNATURES COMPLETED

Prepared for the Offices of:

Elizabeth City Signal System Cable Routing Plans

Division 1 Pasquotank County Elizabeth City

PLAN DATE: August 2018 REVIEWED BY: B. HOLDEN

PREPARED BY: A. TUTT REVIEWED BY:

REVISIONS: _____ INIT. DATE

DocuSigned by: *C. Byron Holden* 8/23/2018

SCALE: 1" = 50'

CADD Filename: _____