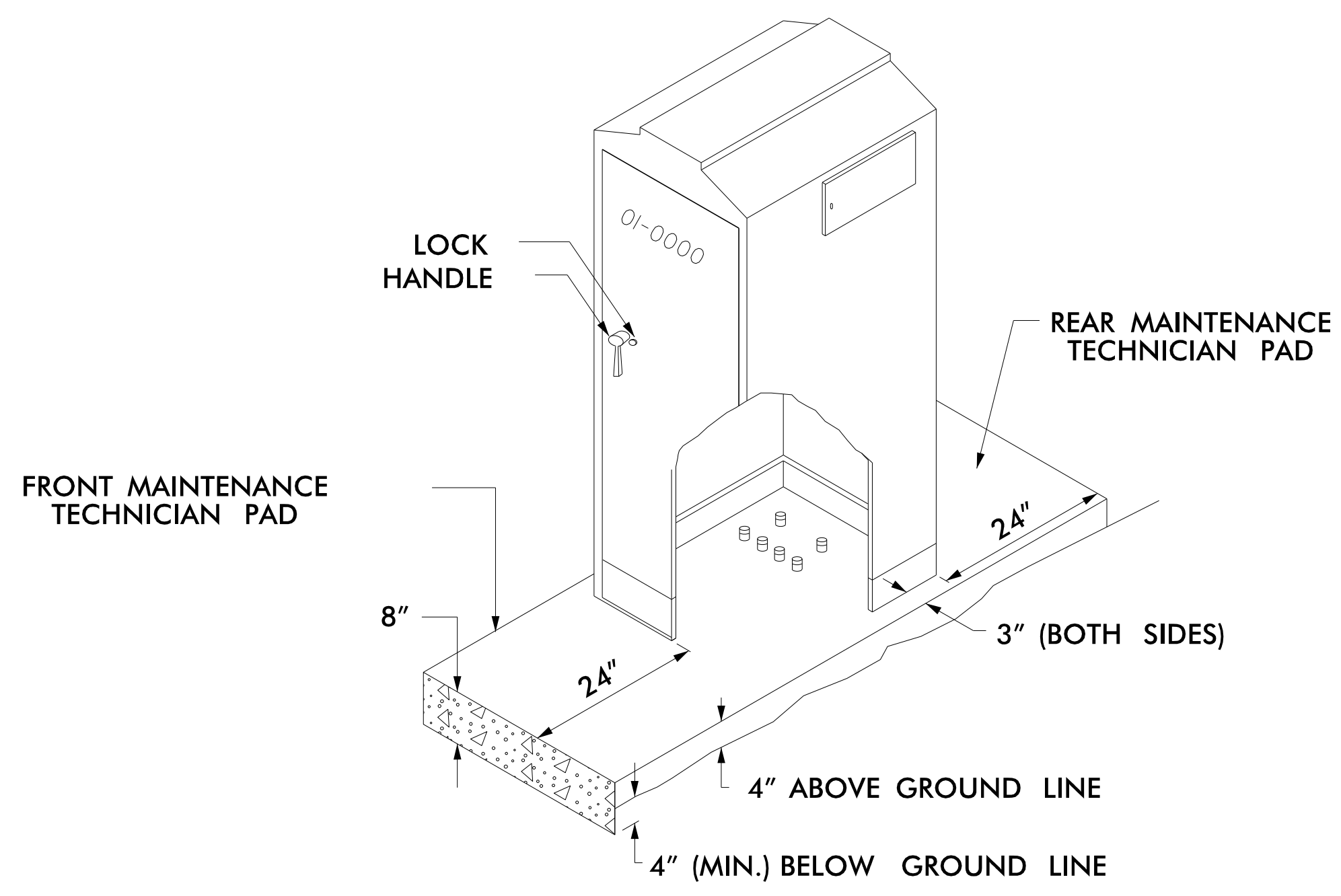
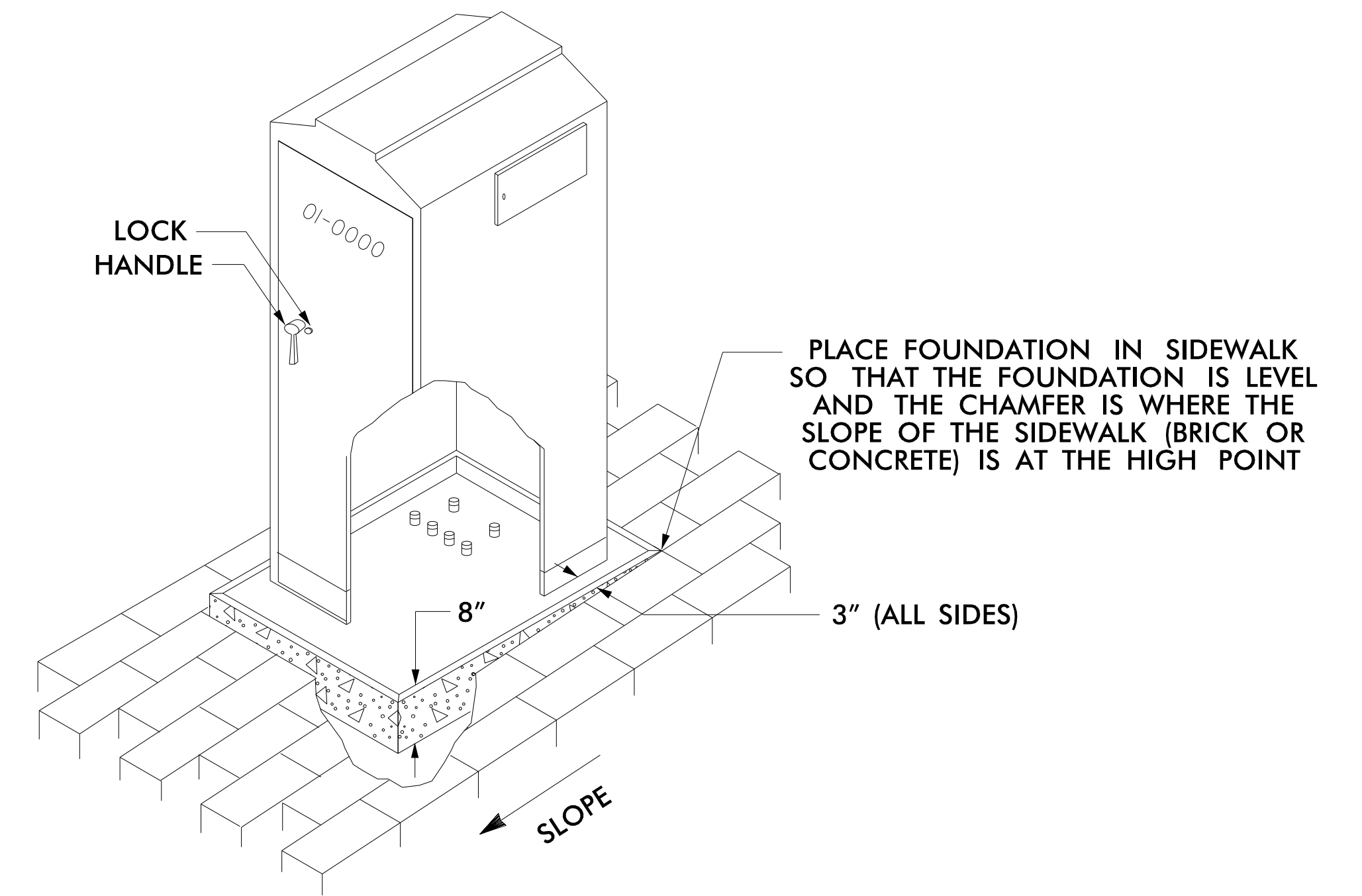


**TYPICAL BASE-MOUNTED CABINET  
NEW STANDARD FOUNDATION**



**TYPICAL BASE-MOUNTED CABINET  
NEW FOUNDATION IN SIDEWALK**



**NOTES**

1. STUB OUT SPARE 2" CONDUIT TO 12" BEYOND EDGE OF CABINET FOUNDATION.
2. SEAL SPARE CONDUIT WITH REMOVABLE CAP.
3. TOPS OF CONDUIT SHALL BE NO LESS THAN 2" AND NO MORE THAN 3" ABOVE FOUNDATION.

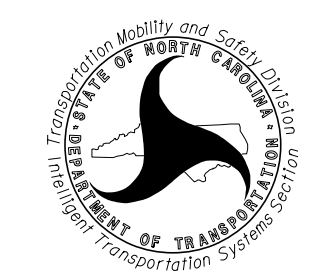
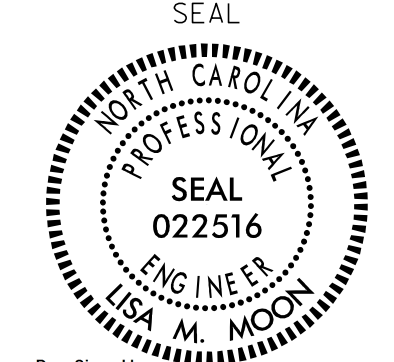
DOCUMENT NOT CONSIDERED FINAL  
UNLESS ALL SIGNATURES COMPLETED

PLANS PREPARED BY:



**DRMP**  
ENGINEERS • PLANNERS • SCIENTISTS

DRMP, INC.  
8000 Regency Parkway, Suite 175  
Cary, NC 27518  
NC License No. C-2213 4919/ 650-1038

|   |  |                                      |   |
|---|--|--------------------------------------|---|
| <br>Prepared for the Offices of:<br>NORTH CAROLINA<br>DEPARTMENT OF TRANSPORTATION<br>Division 1 Pasquotank County Elizabeth City<br>750 N. Greenfield Pkwy., Garner, NC 27529 | Elizabeth City Signal System<br>Base-Mounted Cabinet<br>Foundation Details |                                      | <br>SEAL<br>NORTH CAROLINA<br>PROFESSIONAL<br>ENGINEER<br>LISA M. MOON<br>022516 |
|   | PLAN DATE: April 2018<br>PREPARED BY: RD Lawton                            | REVIEWED BY: LM Moon<br>REVIEWED BY: |   |
| DocuSigned by:<br>Lisa M. Moon 9/20/2018<br>58FEE6B83300421   |  | DATE:                                | CADD Filename:  |