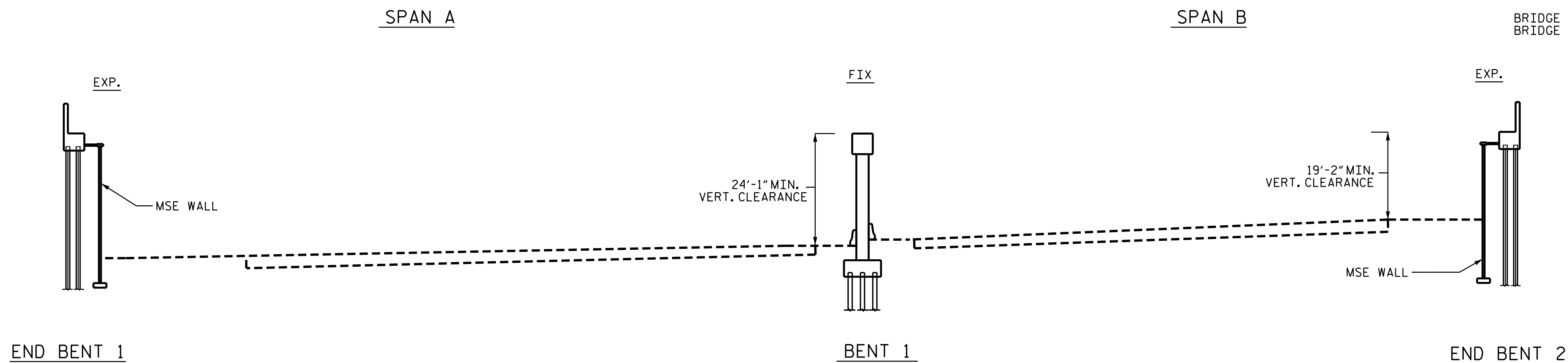


**NOTES**

GENERAL DRAWING INFORMATION IS TAKEN FROM THE ORIGINAL PLANS AND THE ROUTINE INSPECTION REPORT DATED 9/21/2017.

BRIDGE ORIENTATION CONFORMS TO EXISTING BRIDGE PLANS.



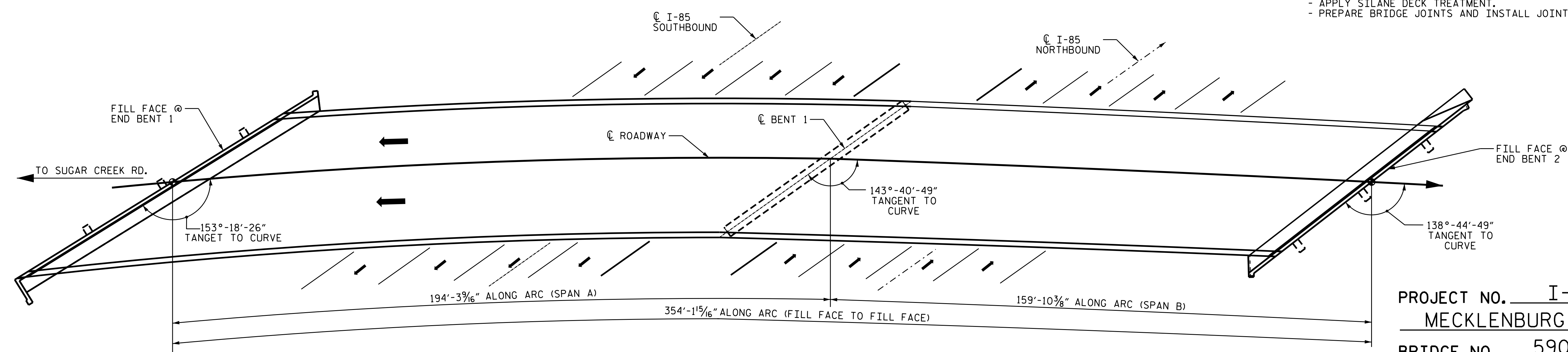
SECTION ALONG ROADWAY

I HEREBY CERTIFY THAT THIS STRUCTURE WAS REHABILITATED ACCORDING TO THESE PLANS OR AS NOTED HEREIN.

RESIDENT ENGINEER \_\_\_\_\_ DATE \_\_\_\_\_

**SCOPE OF WORK**

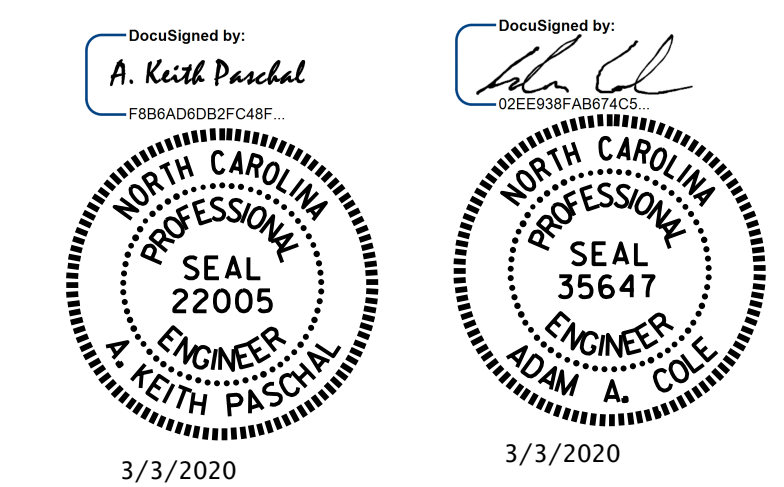
- PREPARE CONCRETE DECK SURFACE BY SHOTBLASTING.
- APPLY SILANE DECK TREATMENT.
- PREPARE BRIDGE JOINTS AND INSTALL JOINT SEALS.



PLAN

PROJECT NO. I-5905  
MECKLENBURG COUNTY  
 BRIDGE NO. 590291

SHEET 1 OF 2



STATE OF NORTH CAROLINA  
 DEPARTMENT OF TRANSPORTATION  
 RALEIGH  
**GENERAL DRAWING**  
**US29/NC49 CONNECTOR**  
**BRIDGE**  
**OVER I-85 BETWEEN**  
**SR2480 & US29/NC49**

DRAWN BY : GHOLAMREZA KOUCHEKI DATE : 7/2019  
 CHECKED BY : H.A.LOCKLEAR DATE : 7/2019

DOCUMENT NOT CONSIDERED FINAL UNLESS ALL SIGNATURES COMPLETED

REVISIONS						SHEET NO.
NO.	BY:	DATE:	NO.	BY:	DATE:	S-01
1			3			TOTAL SHEETS
2			4			6