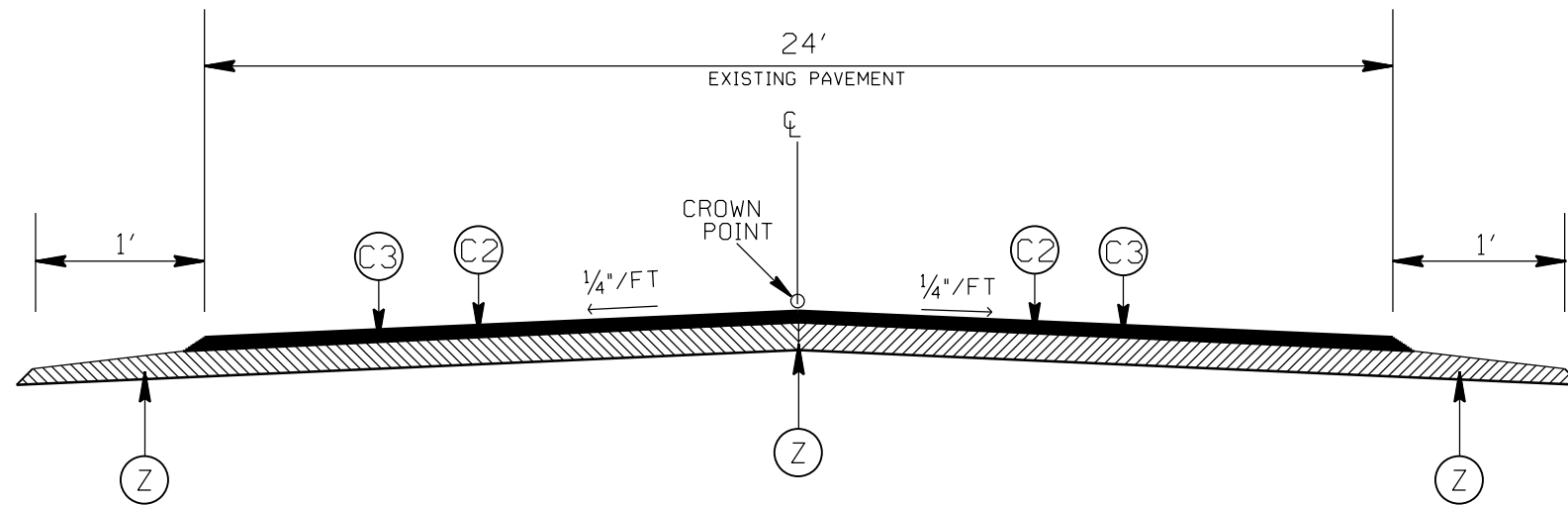
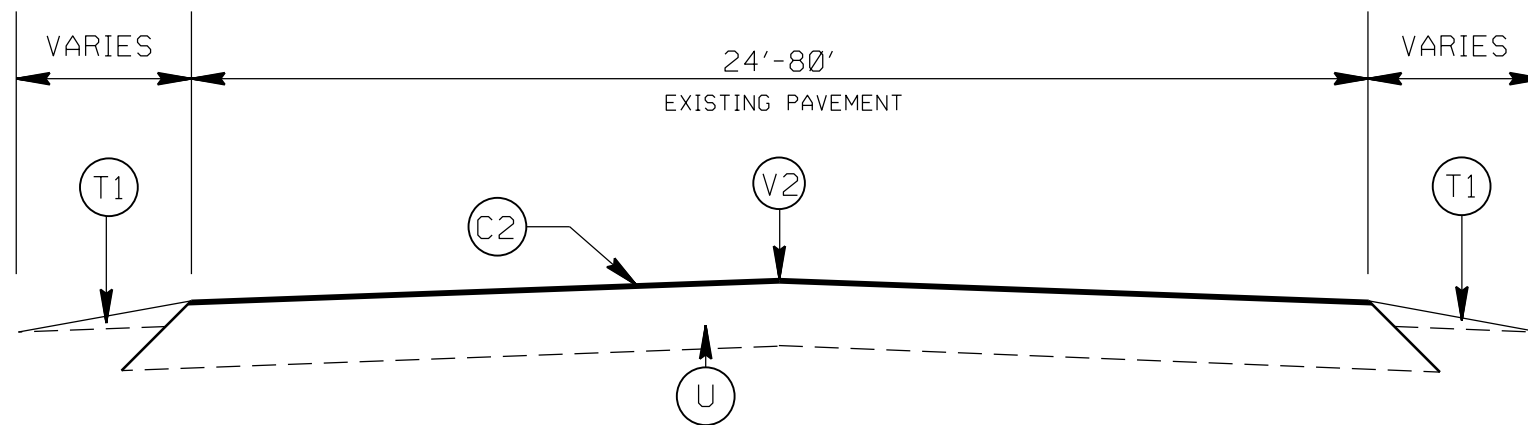


STATE	PROJECT NO.	SHEET NO.	TOTAL SHEETS
N.C.	2021CPT.10.15.10601 2021CPT.10.15.20601	27	
F.A. PROJECT NO.			



TYPICAL SECTION NO. 19
SR 3555 MORNINGWOOD DRIVE (MAP 25)




TYPICAL SECTION NO. 20
SR 3634 CAROLINA ACADEMY DRIVE (MAP 23)
FROM APPROX. STA: 10+65 END OF PROJECT

PAVEMENT SCHEDULE

(C1)	PROP. APPROX. 2.0" ASPHALT CONC. SURFACE COURSE, TYPE S9.5C, AT AN AVERAGE RATE OF 224 LBS. PER SQ. YD.
(C2)	PROP. APPROX. 1.5" ASPHALT CONC. SURFACE COURSE, TYPE S9.5C, AT AN AVERAGE RATE OF 168 LBS. PER SQ. YD.
(C3)	ASPHALT SURFACE TREATMENT, DOUBLE SEAL
(T1)	SHOULDER RECONSTRUCTION
(U)	EXISTING PAVEMENT
(V1)	MILL EXISTING ASPHALT PAVEMENT, 2.0" DEPTH.
(V2)	MILL EXISTING ASPHALT PAVEMENT, 1.5" DEPTH.
(V3)	PROFILE MILL EXISTING PAVEMENT, 0 - 1.5" DEPTH.
(W)	CONCRETE BRIDGE DECK
(Z)	FULL DEPTH RECLAMATION

2021-2022
MECKLENBURG COUNTY RESURFACING

SCALE	-NA-		REVISIONS
DATE	1/21		
DWG. BY	AMO		
DESIGN BY	AMO		
APPROVED	CLA		