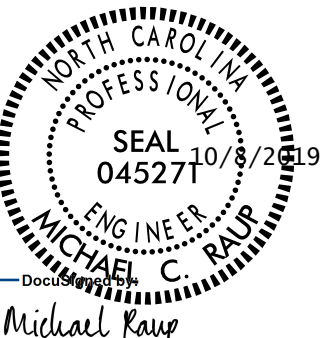
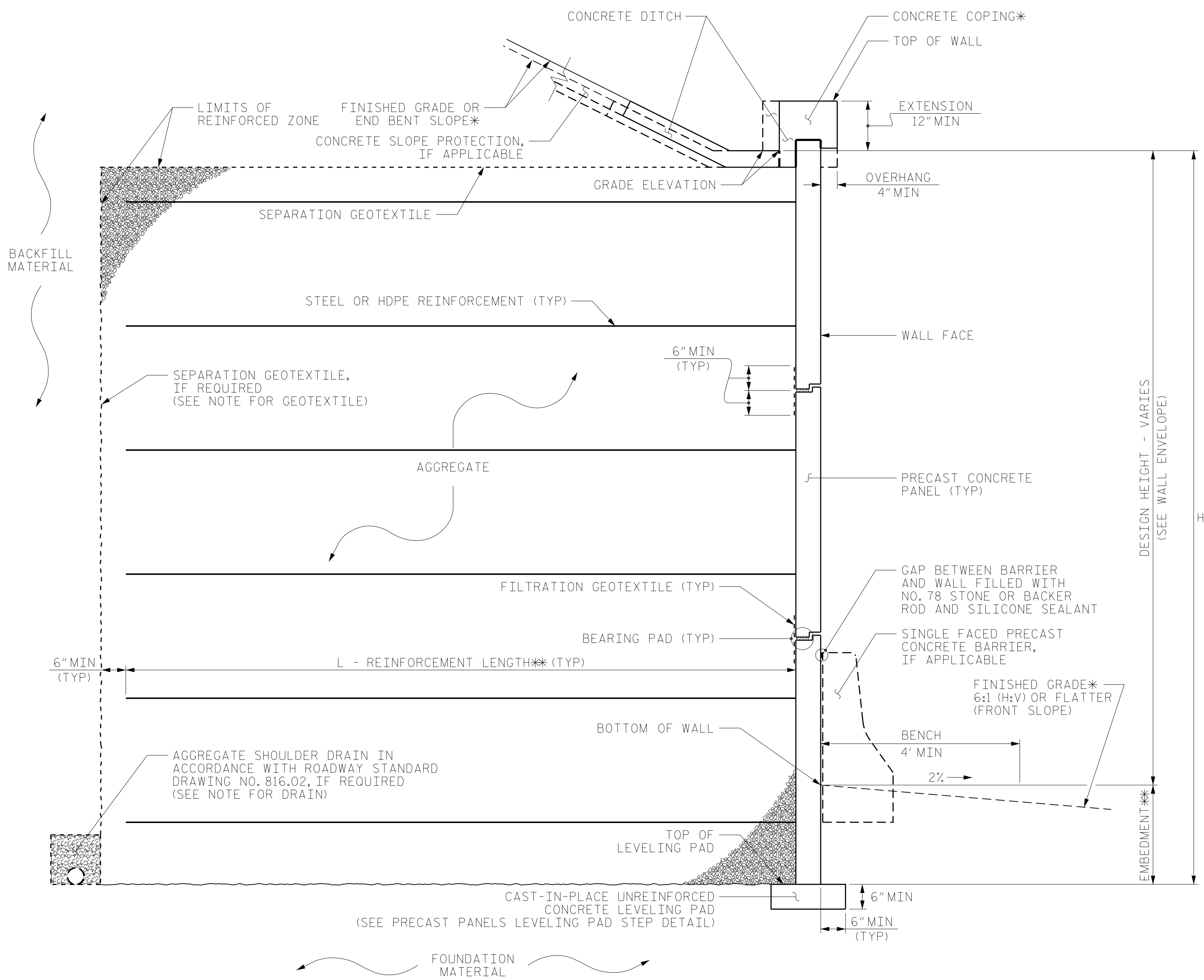
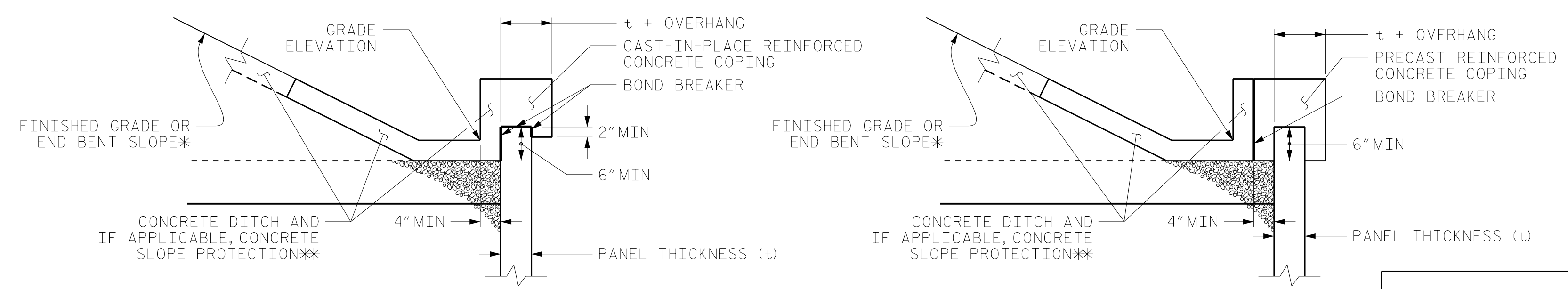


PROJECT REFERENCE NO. <i>R-4707</i>	SHEET NO. <i>W-5</i>
GEOTECHNICAL ENGINEER  Michael C. Ray ENGINEER	
DOCUMENT NOT CONSIDERED FINAL UNLESS ALL SIGNATURES COMPLETED	



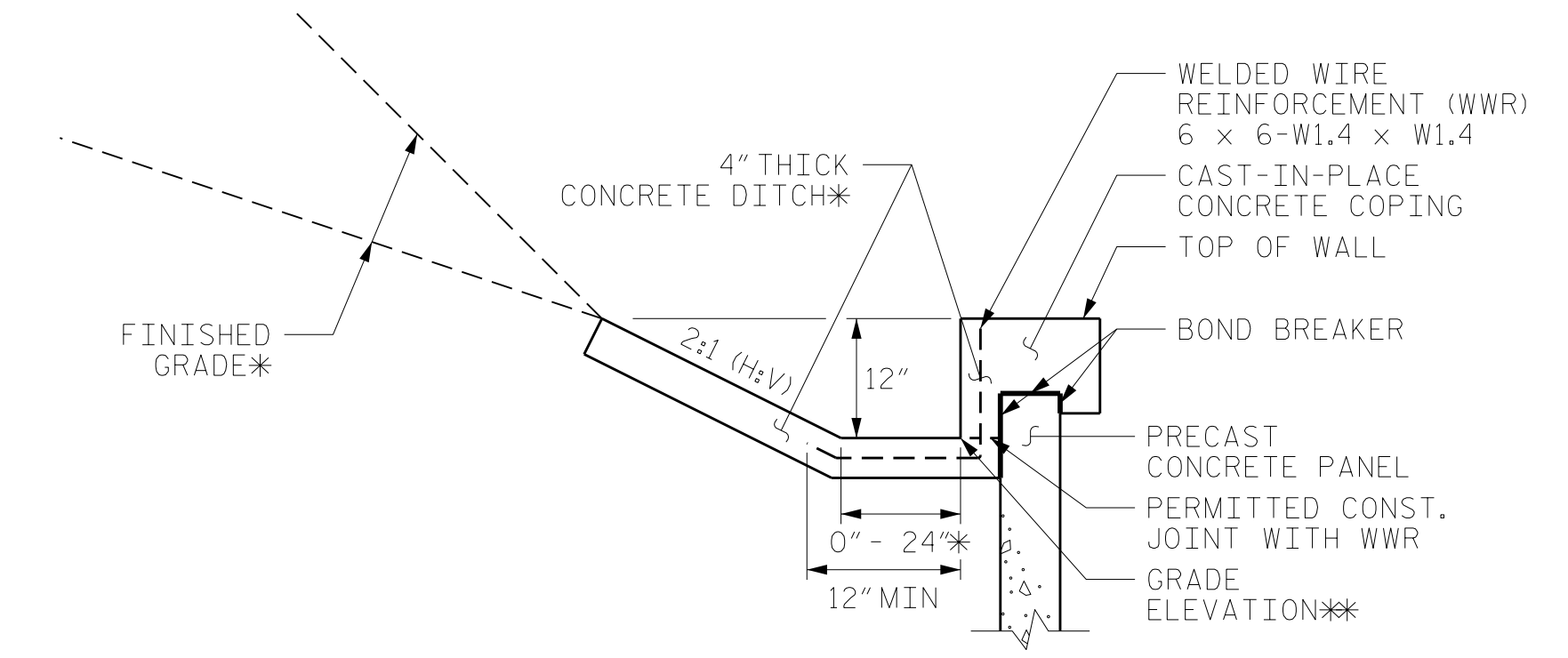
MSE WALL WITH PRECAST PANELS - TYPICAL SECTION

**SEE COPING DETAILS AND PLANS FOR FINISHED GRADE OR END BENT SLOPE DETAILS.
 **SEE MSE RETAINING WALLS PROVISION AND IF APPLICABLE, MSE WALL NOTES FOR EMBEDMENT AND REINFORCEMENT LENGTH REQUIREMENTS.



COPING DETAILS

**SEE PLANS FOR FINISHED GRADE OR END BENT SLOPE DETAILS.
 **SEE CONCRETE DITCH BEHIND WALL DETAILS.



MSE WALL WITH PRECAST PANELS

CONCRETE DITCH BEHIND WALL WITH CONCRETE COPING

**SEE ROADWAY PLANS FOR CONCRETE DITCH AND FINISHED GRADE DETAILS.
 **SEE WALL ENVELOPE FOR GRADE ELEVATIONS.

FOR CONCRETE DITCHES, SEE SECTION 850 OF THE STANDARD SPECIFICATIONS.

PREPARED BY: ROYA RAHIE
 REVIEWED BY: SHANE JOHNSON

wood.
 Wood Environment & Infrastructure Solutions, Inc.
 4021 STIRRUP CREEK DRIVE, SUITE 100, DURHAM, NC, 27703
 TEL: (919) 381-9900
 FAX: (919) 351-9901
 LICENSURE: NC ENG: F-1253 NC GEOLOGY: C-247

MSE RETAINING WALLS NO. 1 AND NO. 2 TYPICAL SECTIONS				
REVISIONS				
NO	BY	DATE	BY	DATE
1			1	
2			2	
3			3	

P:\PROJECTS\Road\NC-DOT\2018\NR-4707 - Reedy Fork Parkway - 6468-18-8042\MSE Abutment Walls\R4707_Rdy_pfl_1101.scd.dgn
 08-OCT-2019 10:25
 P:\PROJECTS\Road\NC-DOT\2018\NR-4707 - Reedy Fork Parkway - 6468-18-8042\MSE Abutment Walls\R4707_Rdy_pfl_1101.scd.dgn