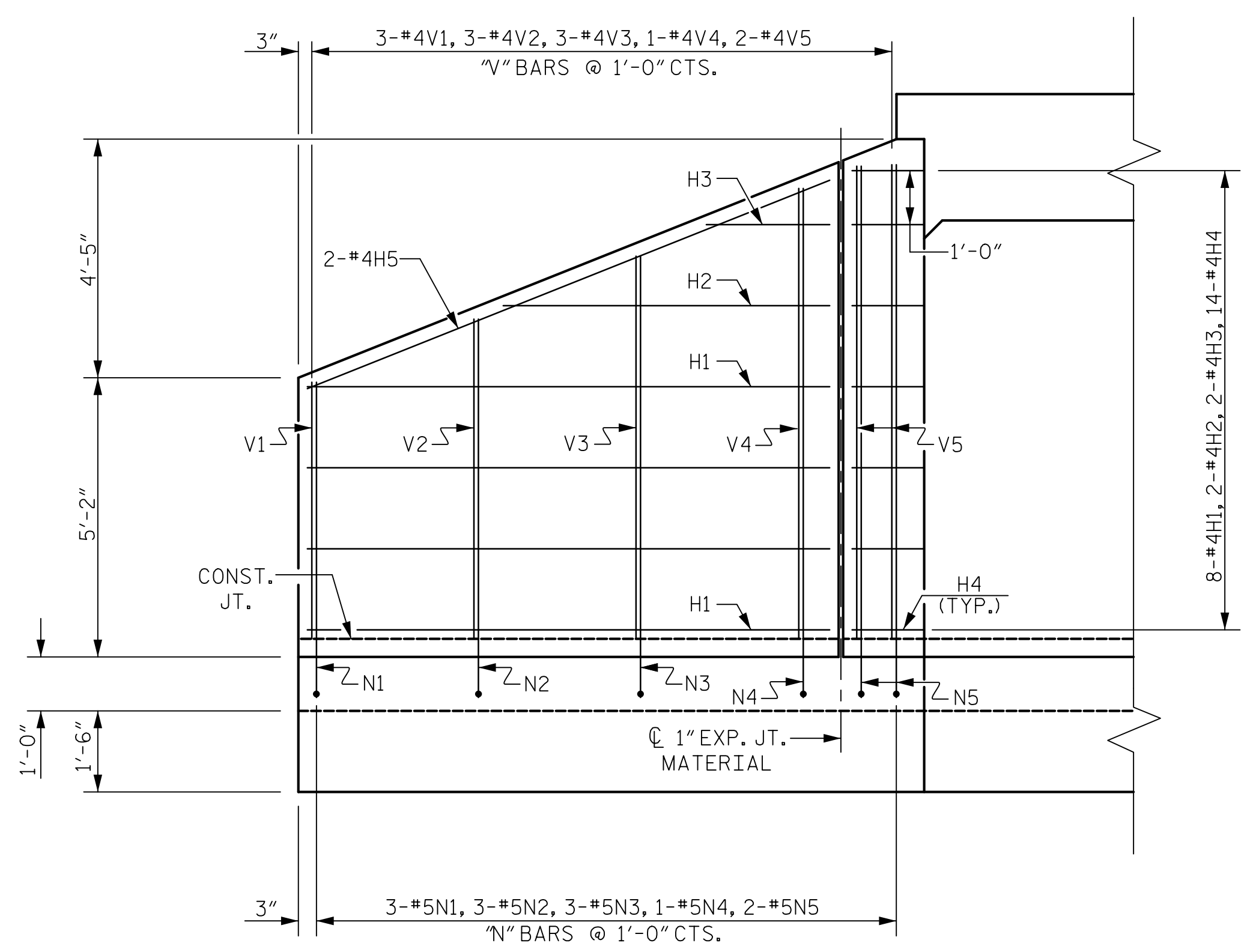
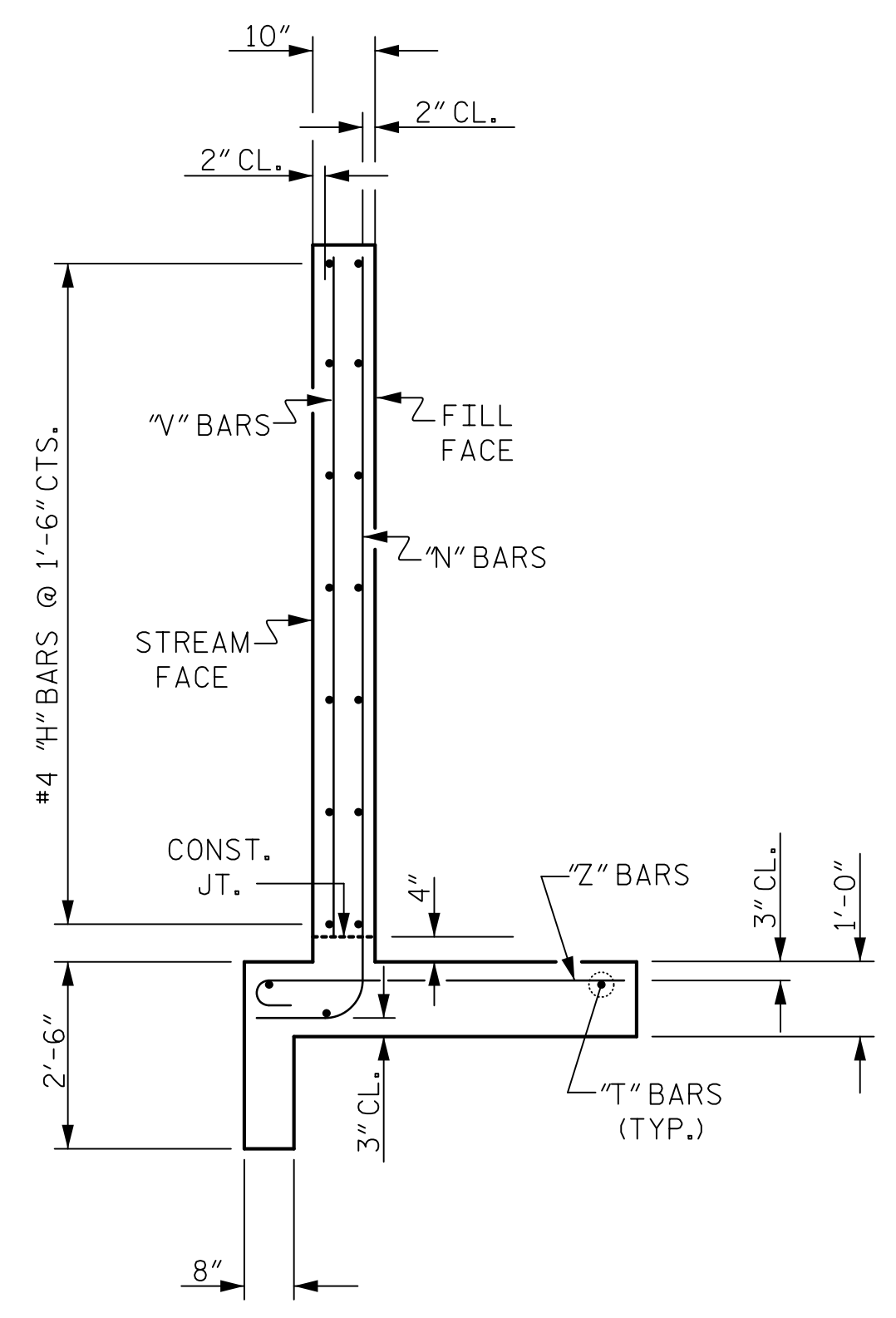


PLAN W1



ELEVATION W1



TYPICAL WING SECTION

BAR TYPES

BILL OF MATERIAL

BAR	NO.	SIZE	TYPE	LENGTH	WEIGHT
H1	8	#4	STR	9'-8"	52
H2	2	#4	STR	6'-0"	8
H3	2	#4	STR	2'-3"	3
H4	14	#4	1	3'-3"	30
H5	2	#4	STR	10'-4"	14
N1	3	#5	2	6'-9"	21
N2	3	#5	2	7'-11"	25
N3	3	#5	2	9'-1"	28
N4	1	#5	2	10'-4"	11
N5	2	#5	2	10'-8"	22
S1	3	#6	STR	6'-0"	27
T1	3	#5	STR	11'-3"	35
V1	3	#4	STR	4'-9"	10
V2	3	#4	STR	5'-11"	12
V3	3	#4	STR	7'-1"	14
V4	1	#4	STR	8'-4"	6
V5	2	#4	STR	8'-8"	12
Z1	3	#5	3	3'-4"	10
Z2	3	#5	3	3'-11"	12
Z3	3	#5	3	4'-7"	14
Z4	2	#5	3	5'-2"	11
Z5	1	#5	3	5'-6"	6

REINFORCING STEEL FOR WING W1 383 LBS

CLASS A CONCRETE WING W1 4.5 CY

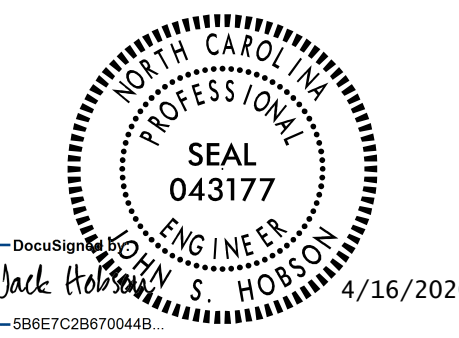
CURTAIN WALL 0.4 CY

TOTAL 4.9 CY

ALL BAR DIMENSIONS ARE OUT TO OUT.

DRAWN BY : J.A. LEE DATE : 03/25/19
 CHECKED BY : J.S. HOBSON DATE : 04/15/19
 DESIGN ENGINEER OF RECORD : J.S. HOBSON DATE : 04/26/19

Mead & Hunt
 111 E. Hargett Street
 Suite 300
 Raleigh, NC 27601
 919-714-8670
 meadhunt.com
 NC License No. F-1235



DOCUMENT NOT CONSIDERED FINAL UNLESS ALL SIGNATURES COMPLETED

PROJECT NO. R-4707
 GUILFORD COUNTY
 STATION: 56+34.85 -L-
 SHEET 12 OF 16

STATE OF NORTH CAROLINA
 DEPARTMENT OF TRANSPORTATION
 RALEIGH

**WING W1
 FOR
 CONCRETE BOX CULVERT
 (LEFT EXTENSION)**

H=8'-0" SLOPE=2:1

REVISIONS						SHEET NO.
NO.	BY:	DATE:	NO.	BY:	DATE:	C1-20
1			3			TOTAL SHEETS
2			4			24