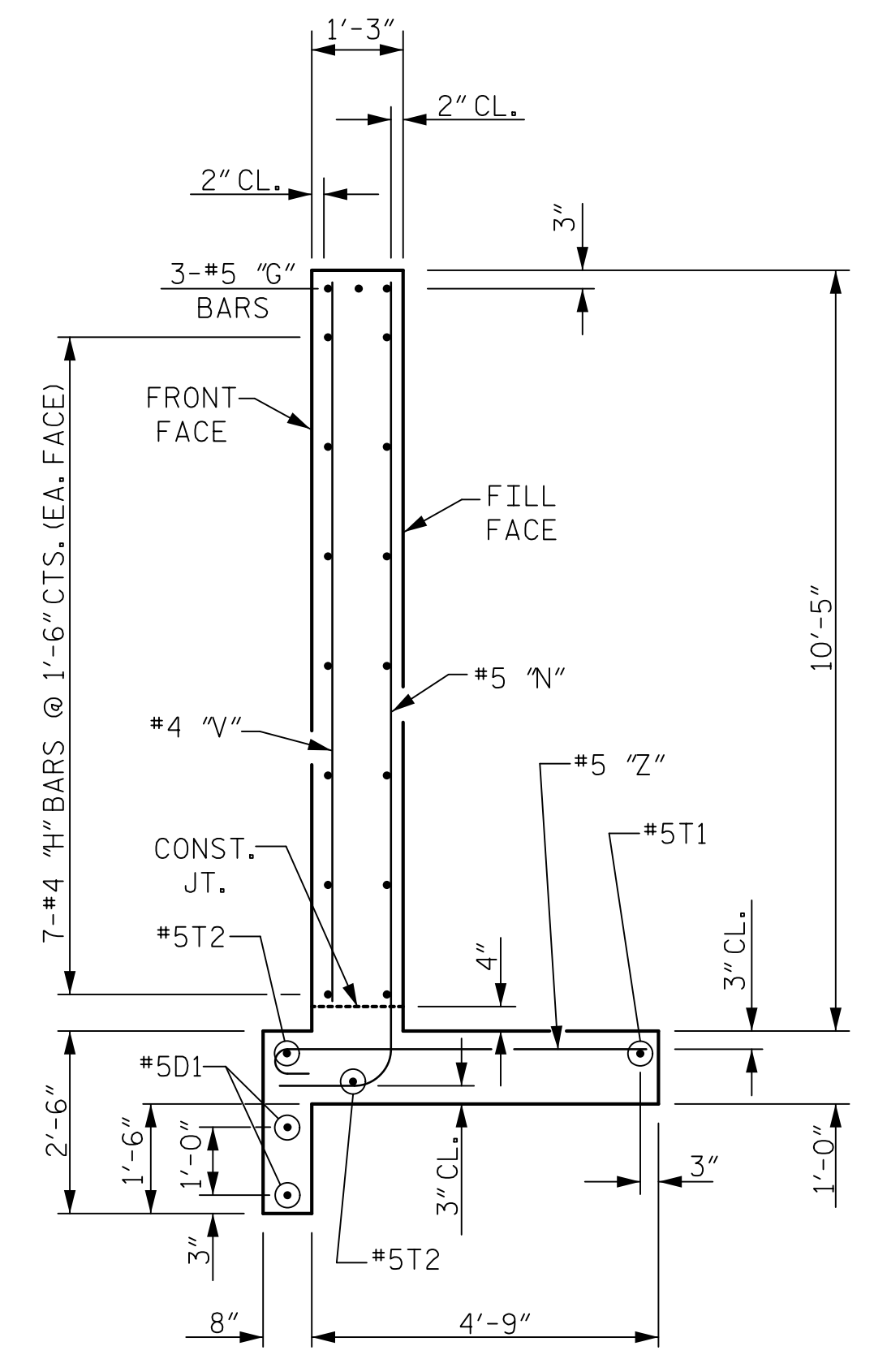
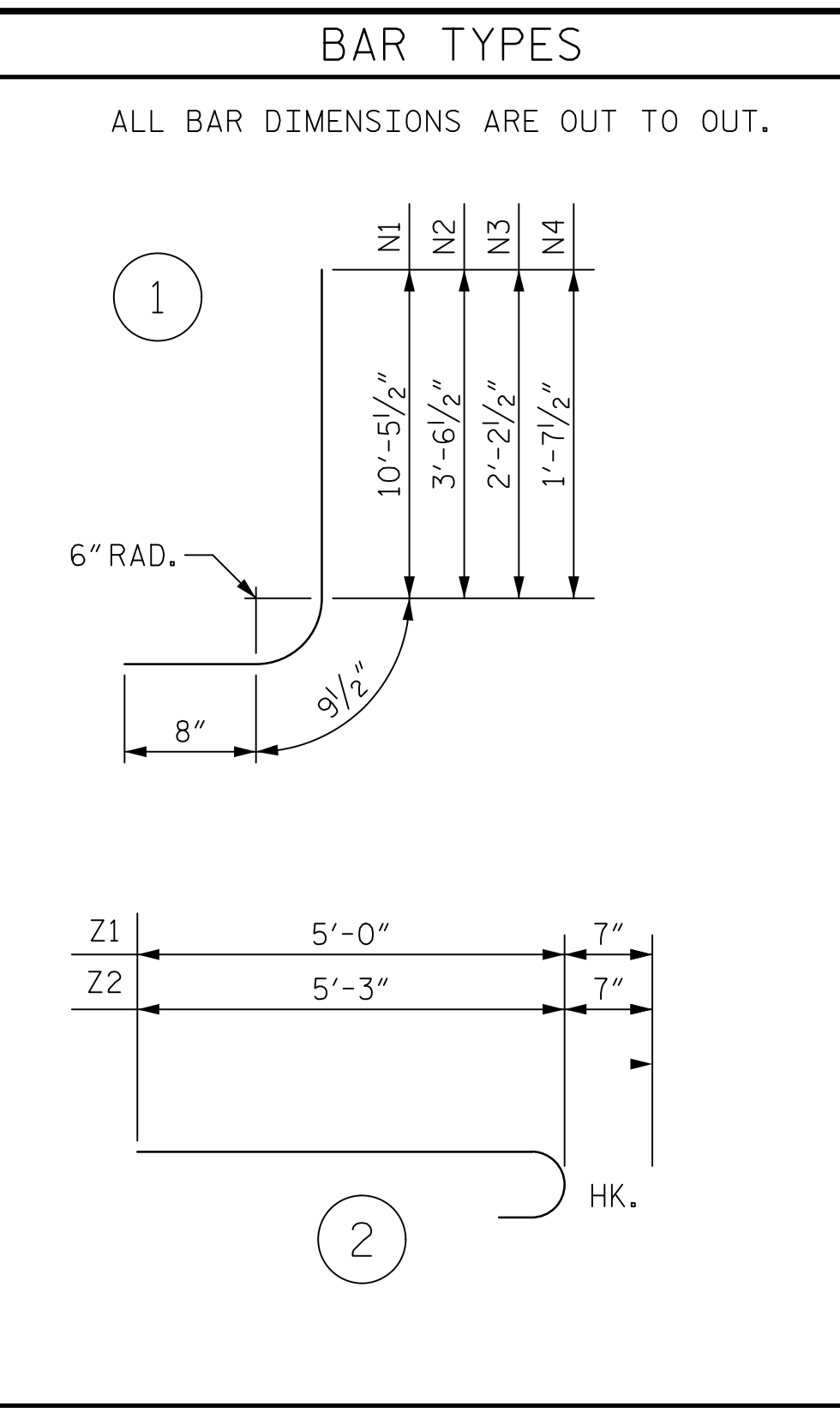


**PLAN - 60" Ø PIPE HEADWALL**



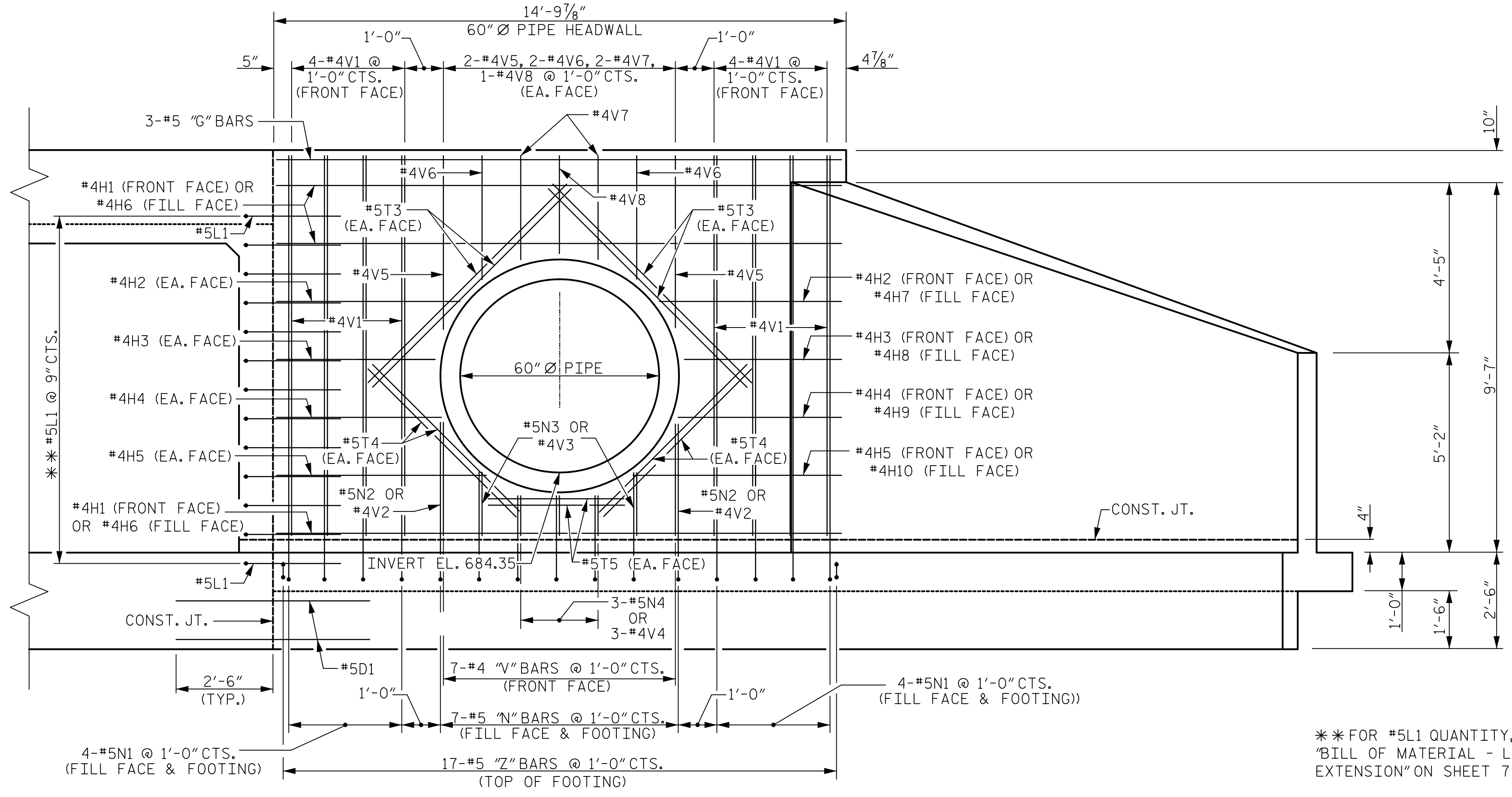
**SECTION A-A**



BILL OF MATERIAL					
BAR NO.	SIZE	TYPE	LENGTH	WEIGHT	
D1	2	#5	STR	5'-0"	10
H1	3	#4	STR	14'-6"	29
H2	3	#4	STR	4'-8"	9
H3	3	#4	STR	4'-0"	8
H4	3	#4	STR	4'-3"	9
H5	3	#4	STR	5'-4"	11
H6	3	#4	STR	14'-10"	30
H7	1	#4	STR	4'-10"	3
H8	1	#4	STR	4'-2"	3
H9	1	#4	STR	4'-5"	3
H10	1	#4	STR	5'-6"	4
G1	1	#5	STR	14'-6"	15
G2	1	#5	STR	14'-8"	15
G3	1	#5	STR	14'-10"	15
N1	8	#5	1	11'-11"	99
N2	2	#5	1	5'-0"	10
N3	2	#5	1	3'-8"	8
N4	3	#5	1	3'-1"	10
T1	1	#5	STR	16'-3"	17
T2	2	#5	STR	14'-7"	30
T3	8	#5	STR	7'-4"	61
T4	8	#5	STR	5'-5"	45
T5	4	#5	STR	3'-9"	16
V1	8	#4	STR	9'-11"	53
V2	2	#4	STR	3'-0"	4
V3	2	#4	STR	1'-8"	2
V4	3	#4	STR	1'-1"	2
V5	4	#4	STR	4'-5"	12
V6	4	#4	STR	3'-2"	8
V7	4	#4	STR	2'-8"	7
V8	2	#4	STR	2'-6"	3
Z1	16	#5	2	5'-7"	93
Z2	1	#5	2	5'-10"	6

REINFORCING STEEL (60" Ø PIPE HEADWALL)	650 LBS
CLASS A CONCRETE (60" Ø PIPE HEADWALL)	9.4 CY

I HEREBY CERTIFY THESE PLANS ARE THE AS-BUILT PLANS

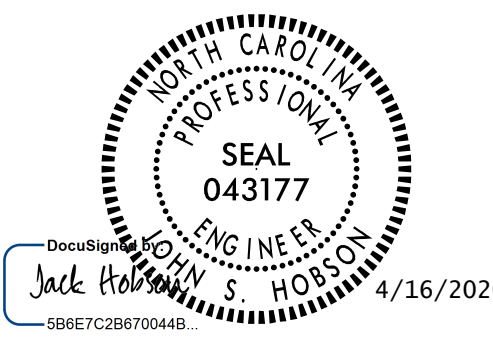


**ELEVATION - 60" Ø PIPE HEADWALL**

\*\* FOR #5L1 QUANTITY, SEE "BILL OF MATERIAL - LEFT EXTENSION" ON SHEET 7 OF 16

DRAWN BY : J.A. LEE DATE : 03/18/19  
 CHECKED BY : J.S. HOBSON DATE : 04/15/19  
 DESIGN ENGINEER OF RECORD : J.S. HOBSON DATE : 04/26/19

**Mead & Hunt**  
 111 E. Hargett Street  
 Suite 300  
 Raleigh, NC 27601  
 919-714-8670  
 meadhunt.com  
 NC License No. F-1235



DOCUMENT NOT CONSIDERED FINAL UNLESS ALL SIGNATURES COMPLETED

PROJECT NO. R-4707  
GUILFORD COUNTY  
 STATION: 56+34.85 -L-  
 SHEET 11 OF 16

STATE OF NORTH CAROLINA DEPARTMENT OF TRANSPORTATION RALEIGH					
60" Ø PIPE HEADWALL (LEFT EXTENSION)					
REVISIONS					
NO.	BY:	DATE:	NO.	BY:	DATE:
1			3		
2			4		
					SHEET NO. C1-19
					TOTAL SHEETS 24