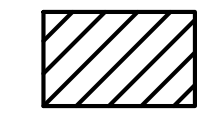
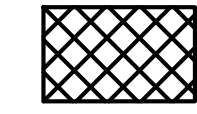

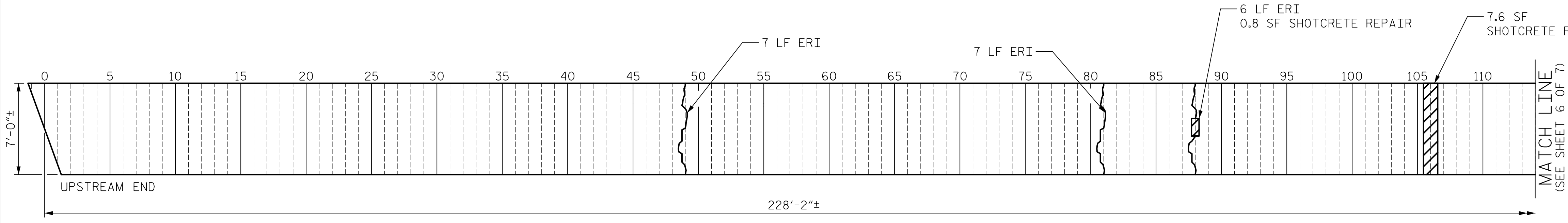
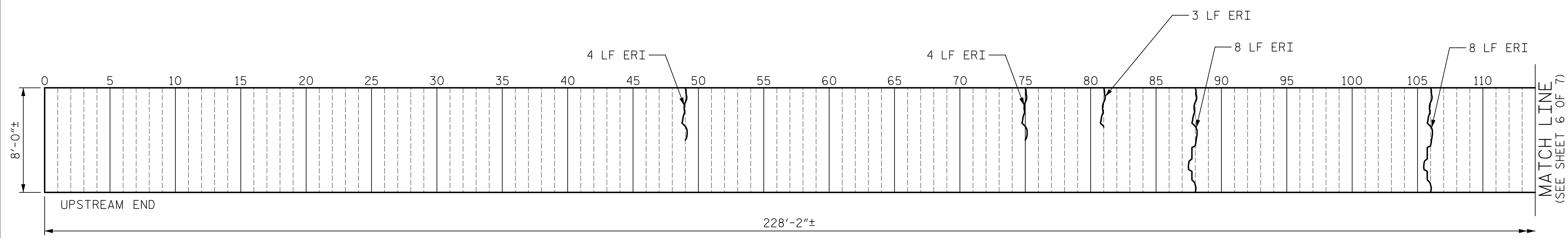


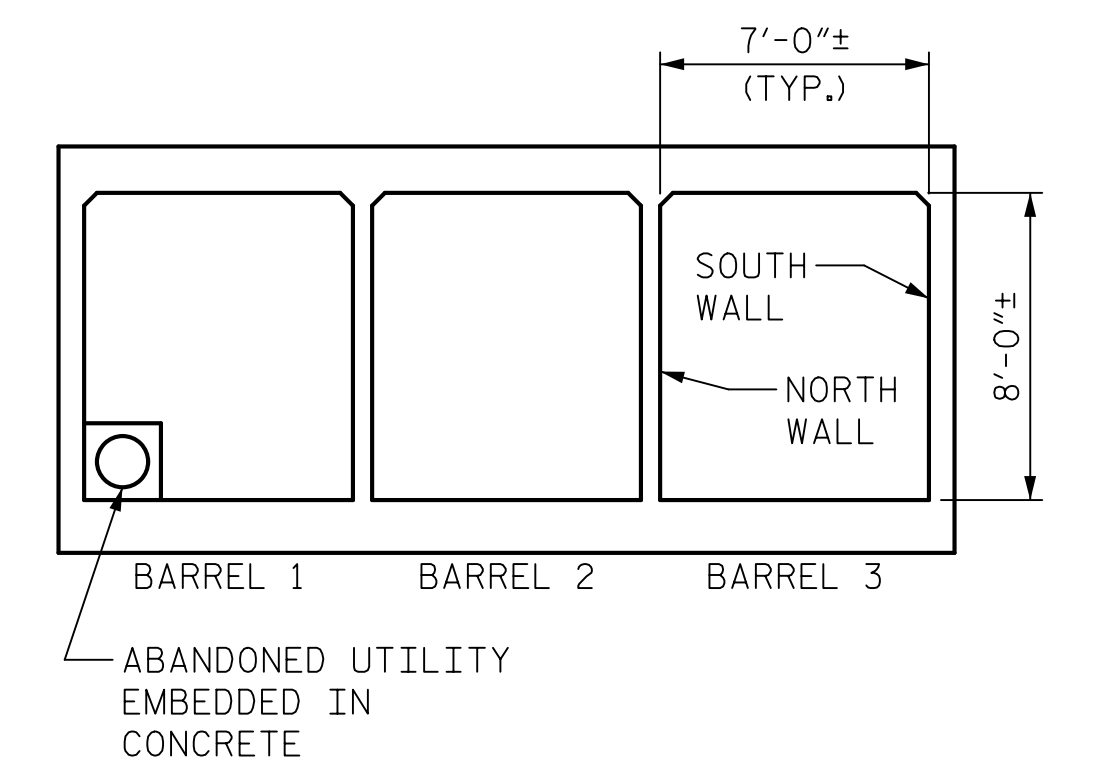
-  = SHOTCRETE REPAIR AREA
-  = CONCRETE REPAIR AREA
-  = EPOXY RESIN INJECTION (ERI)



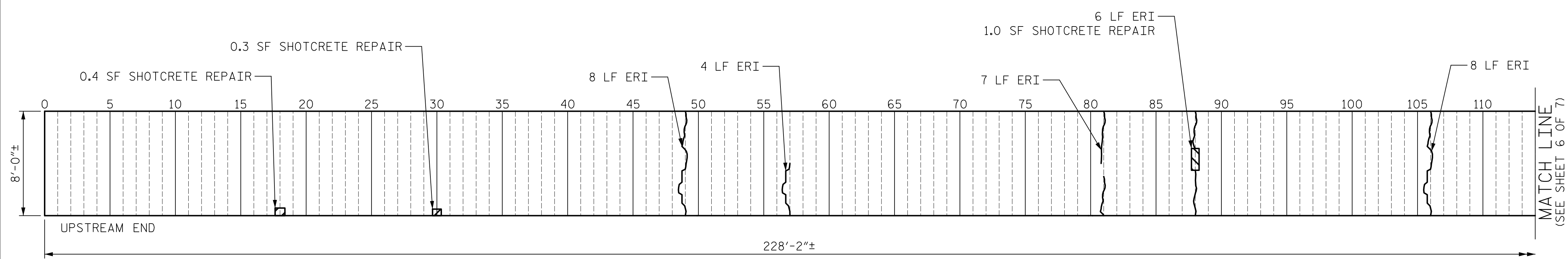
LOOKING UP AT TOP SLAB



NORTH WALL ELEVATION

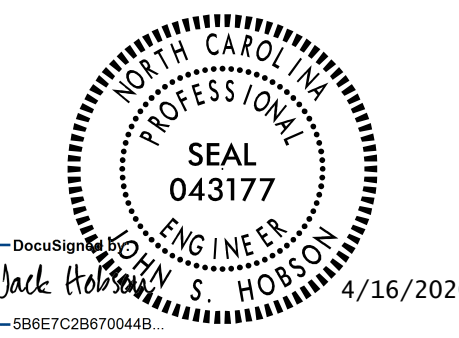


EXISTING CULVERT SECTION
(LOOKING DOWNSTREAM)



SOUTH WALL ELEVATION

Mead & Hunt
 111 E. Hargett Street
 Suite 300
 Raleigh, NC 27601
 919-714-8670
 meadhunt.com
 NC License No. F-1235



PROJECT NO. R-4707
GUILFORD COUNTY
 STATION: 56+34.85 -L-
 SHEET 5 OF 7

STATE OF NORTH CAROLINA
 DEPARTMENT OF TRANSPORTATION
 RALEIGH

BARREL 3 WALLS AND TOP SLAB REPAIRS

DRAWN BY : A.J. FORFA DATE : 03/04/19
 CHECKED BY : J.S. HOBSON DATE : 04/17/19
 DESIGN ENGINEER OF RECORD : J.S. HOBSON DATE : 04/26/19

DOCUMENT NOT CONSIDERED
 FINAL UNLESS ALL
 SIGNATURES COMPLETED

REVISIONS						SHEET NO.
NO.	BY:	DATE:	NO.	BY:	DATE:	C1-06
1			3			TOTAL SHEETS
2			4			24