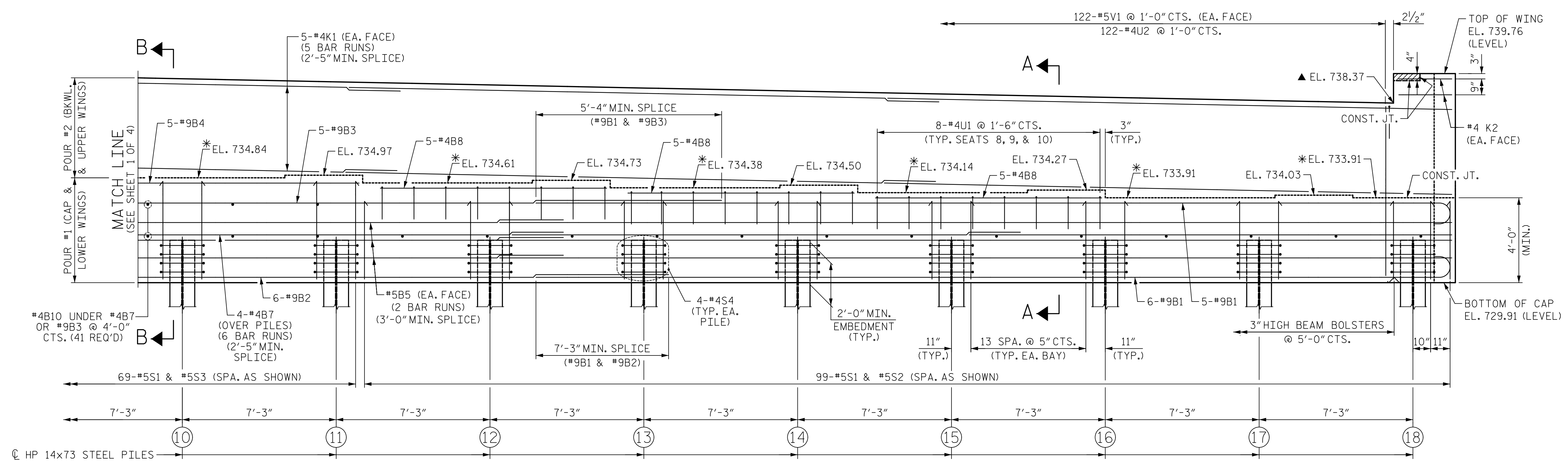
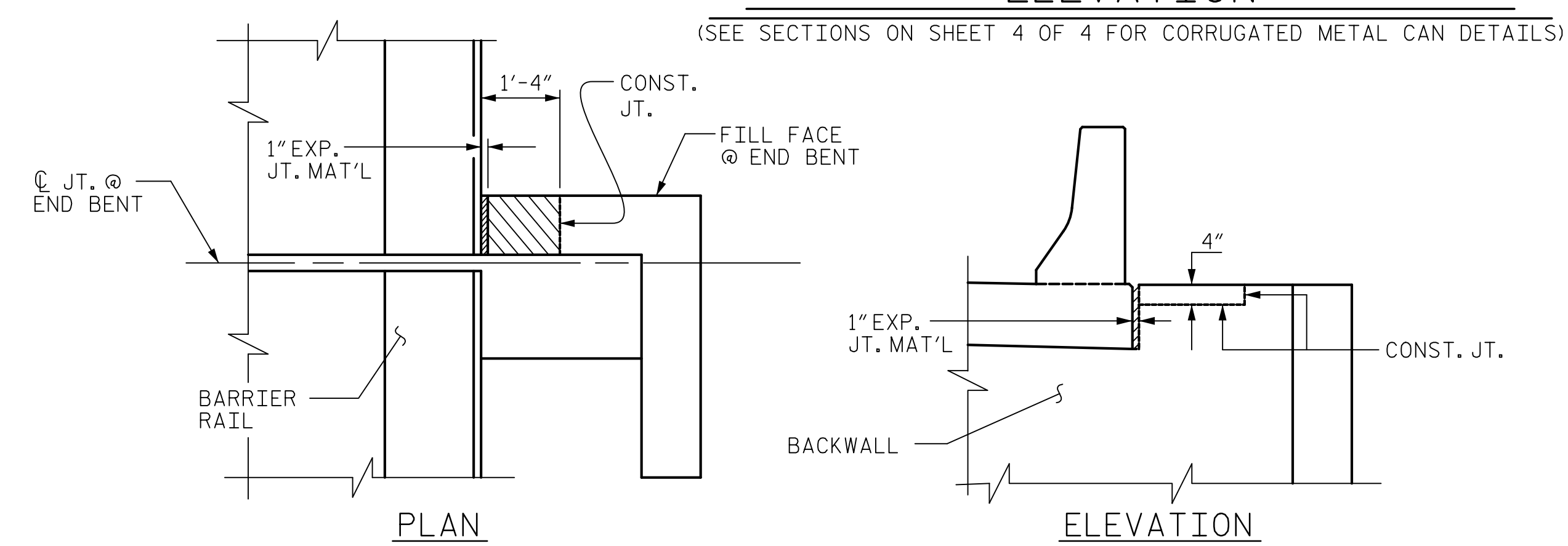


PLAN



ELEVATION

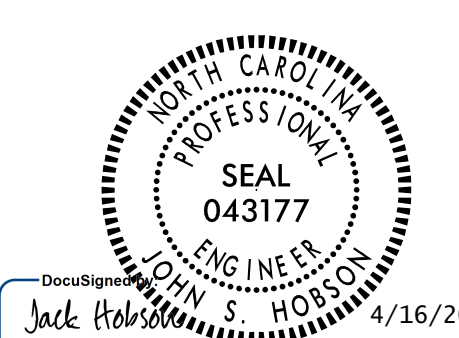


PLAN

ELEVATION

BLOCKOUT IN WING WALL

Mead & Hunt
 111 E. Hargett Street
 Suite 300
 Raleigh, NC 27601
 919-714-8670
 meadhunt.com
 NC License No. F-1235



PROJECT NO. R-4707
GUILFORD COUNTY
 STATION: 41+39.51 -Y-
 SHEET 2 OF 4

STATE OF NORTH CAROLINA
 DEPARTMENT OF TRANSPORTATION
 RALEIGH
 SUBSTRUCTURE
 END BENT 1

DRAWN BY : J.S. HOBSON DATE : 01/28/19
 CHECKED BY : A.J. FORFA DATE : 02/14/19
 DESIGN ENGINEER OF RECORD : J.S. HOBSON DATE : 02/07/20

DOCUMENT NOT CONSIDERED
 FINAL UNLESS ALL
 SIGNATURES COMPLETED

REVISIONS						SHEET NO.
NO.	BY:	DATE:	NO.	BY:	DATE:	S-24
1			3			TOTAL SHEETS
2			4			39