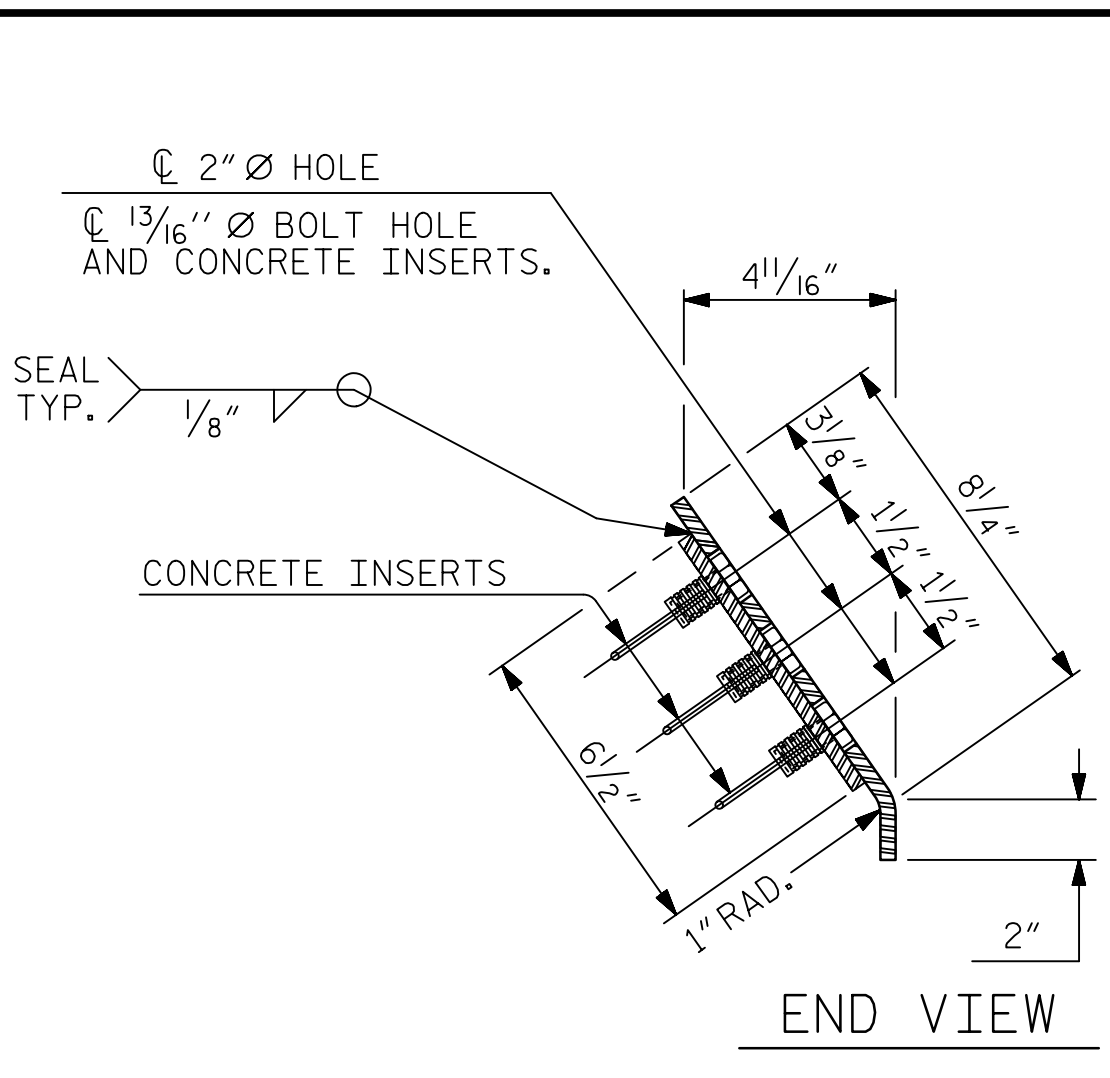
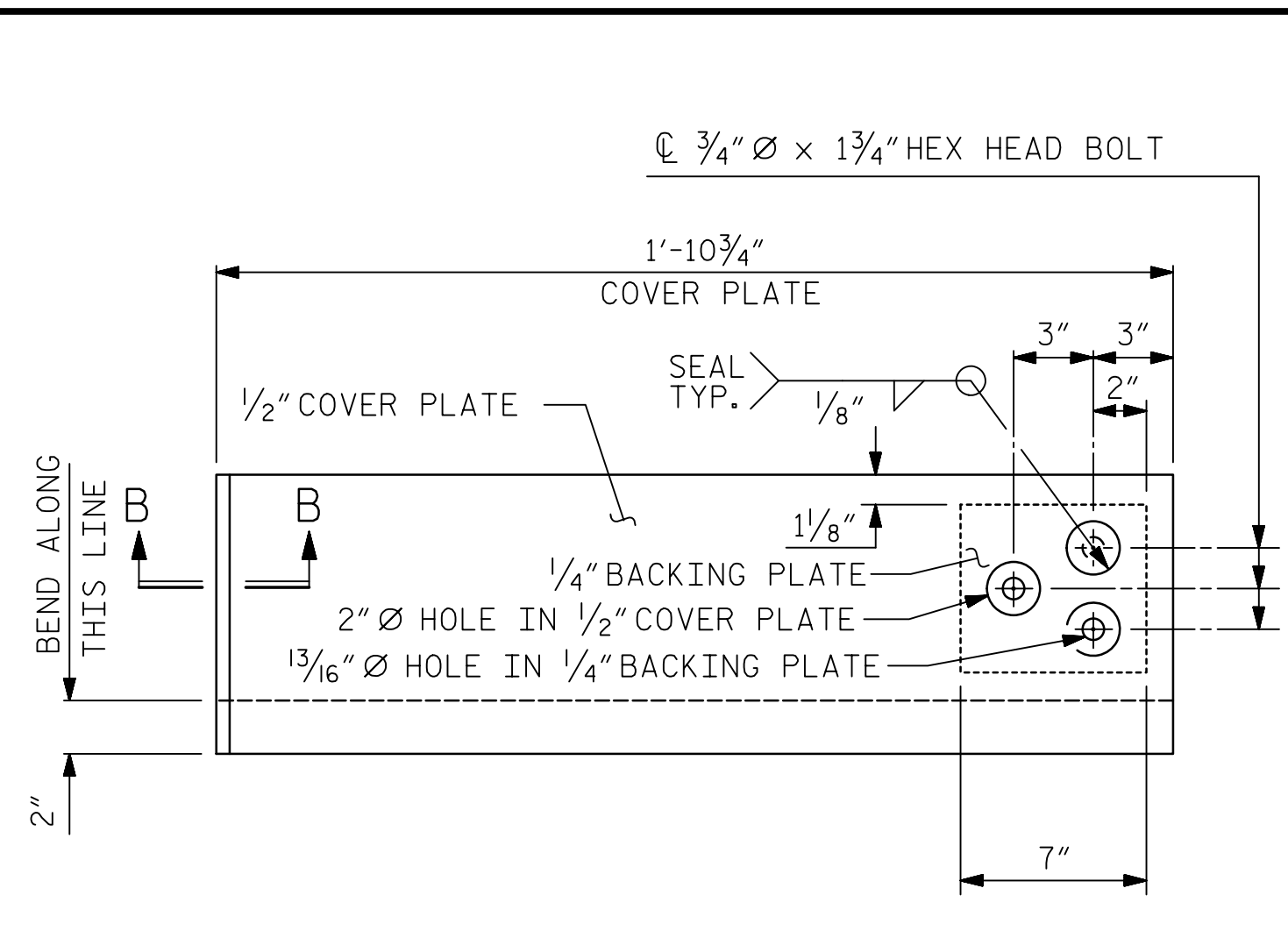


SECTION THRU RAIL NORMAL TO JOINT

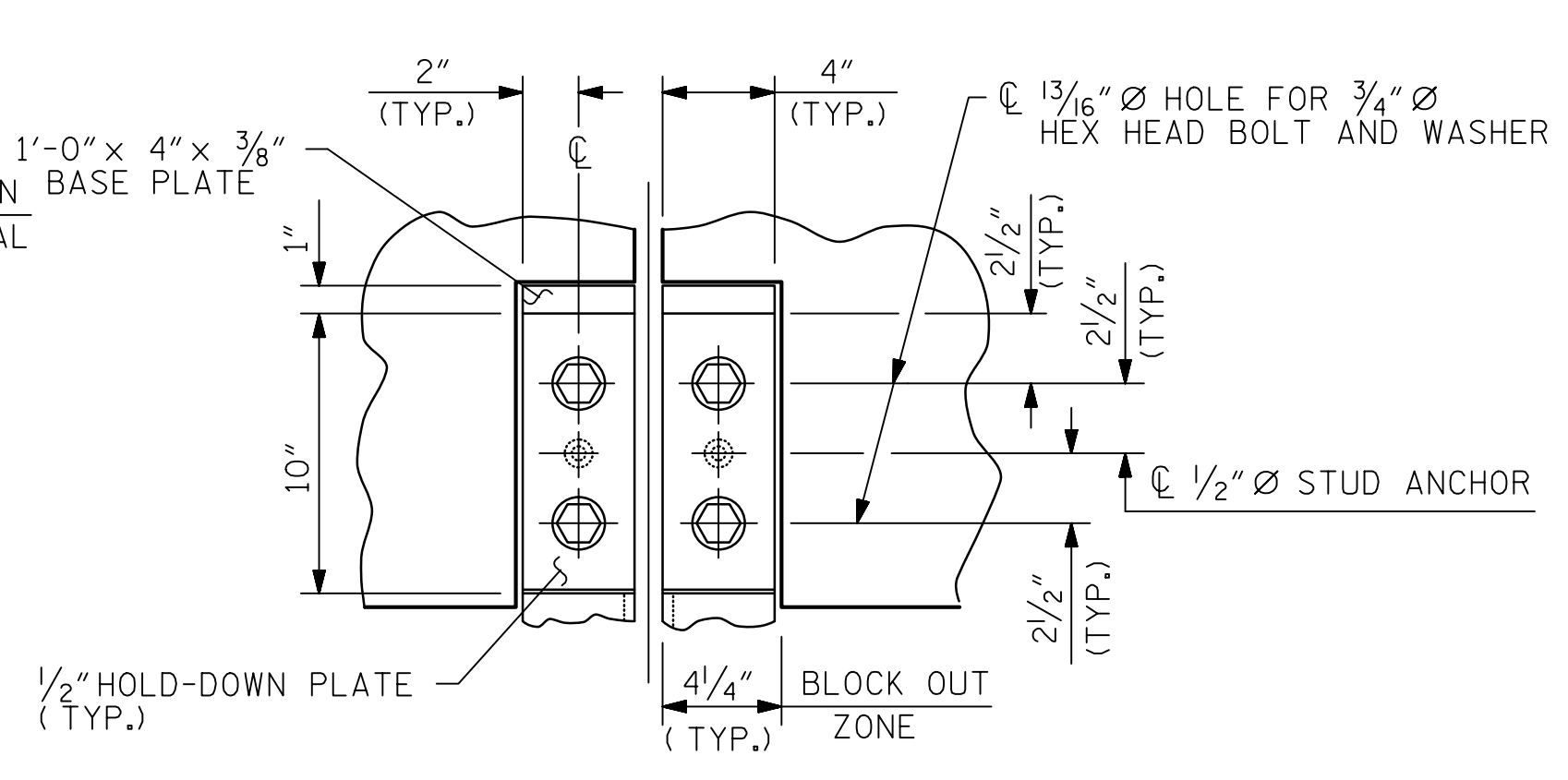


END VIEW

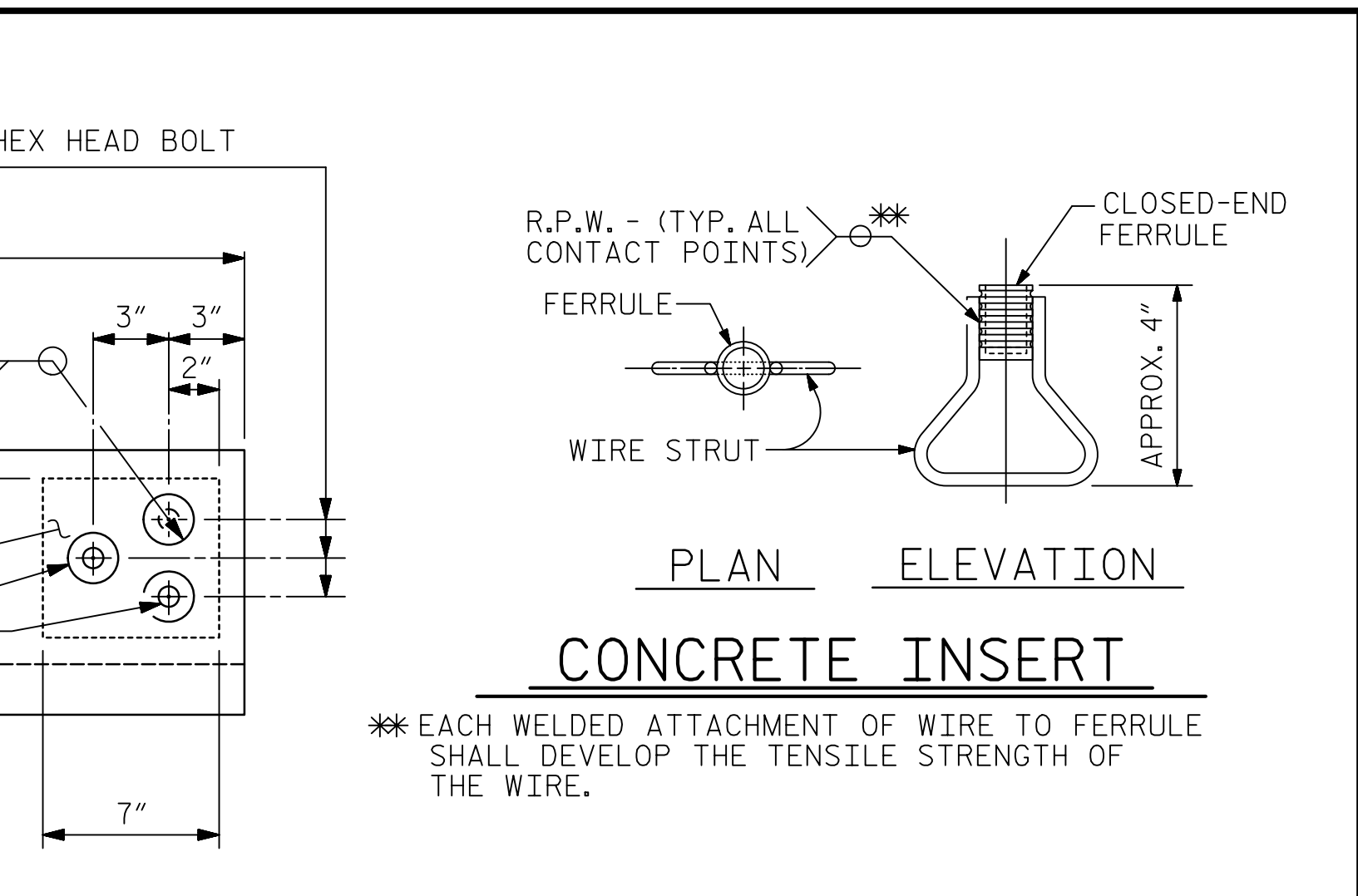


TYPE II - ELEVATION VIEW

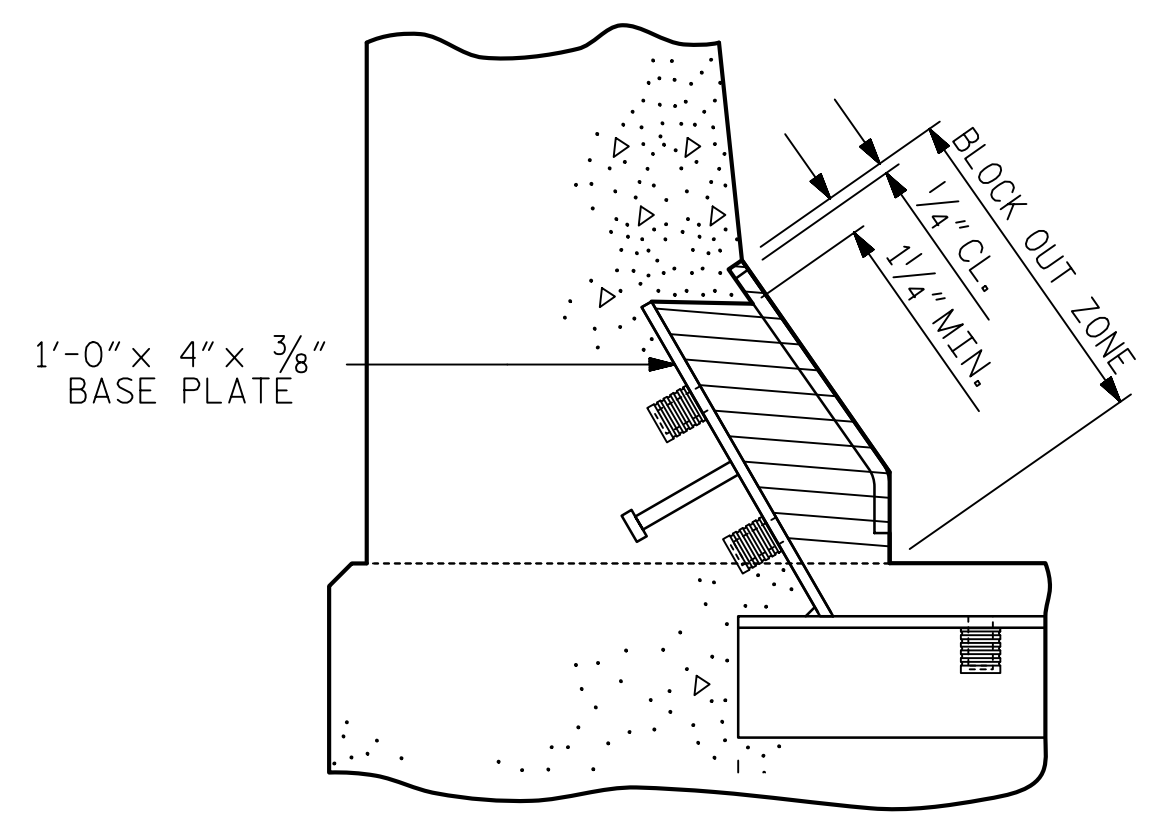
COVER PLATE DETAILS



SECTION A - A

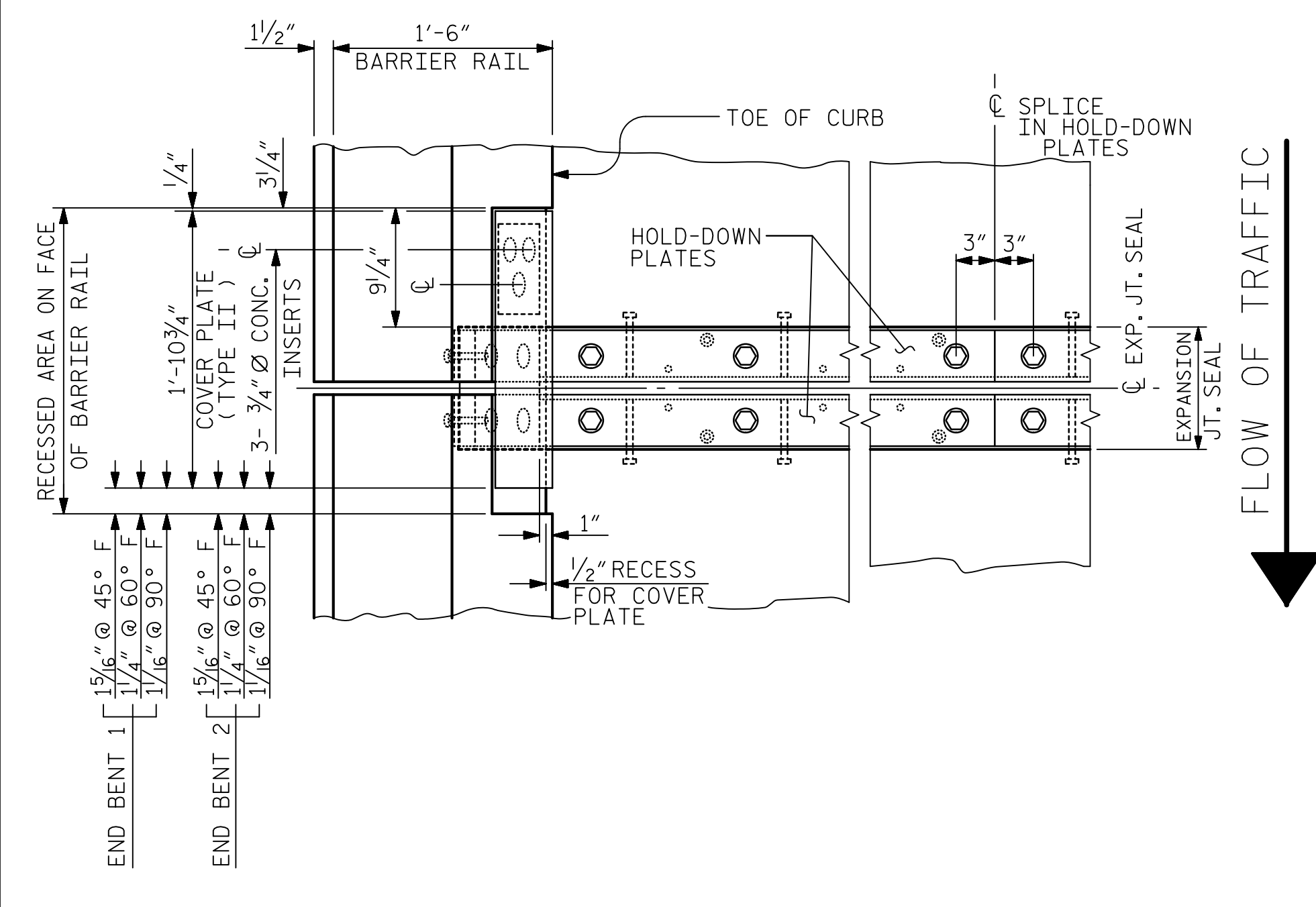


CONCRETE INSERT

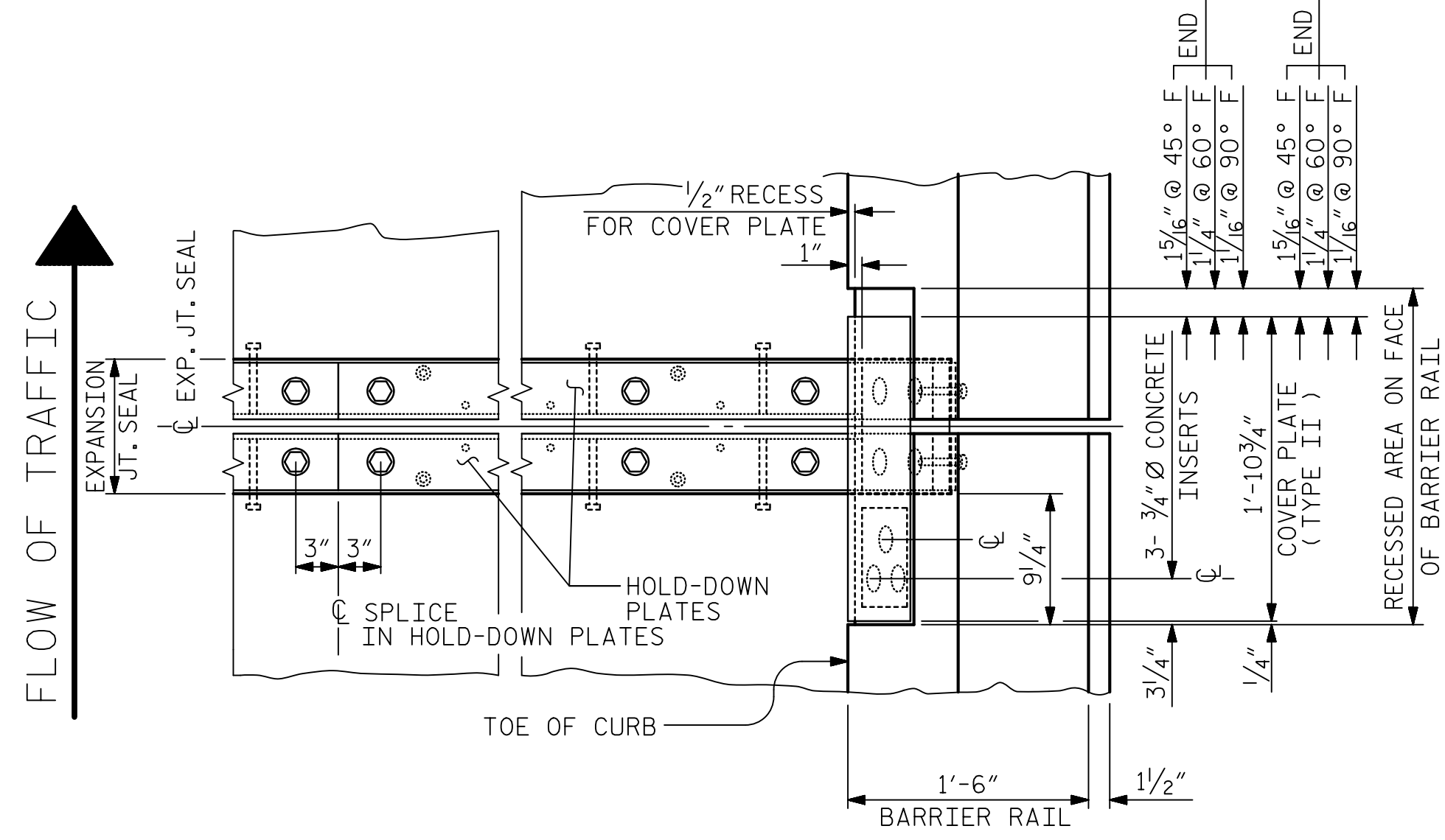


BLOCK OUT DETAIL

SEE "SECTION A - A" FOR OTHER DETAILS.



PLAN OF EXPANSION JOINT SEAL



SECTION B - B

ASSEMBLED BY : J.A. LEE	DATE : 10/25/18
CHECKED BY : J.S. HOBSON	DATE : 2/14/19
DRAWN BY : REK 9/87	REV. 7/12 MAA/GM
CHECKED BY : CRK 10/87	REV. 6/13 MAA/GM
	REV. 12/17 MAA/THC

Mead & Hunt
 111 E. Hargett Street
 Suite 300
 Raleigh, NC 27601
 919-714-8670
 meadhunt.com
 NC License No. F-1235

SEAL 043177
 ENGINEER
 JACK HOBSON
 4/16/2020

PROJECT NO. R-4707
GUILFORD COUNTY
 STATION: 41+39.51 -Y-
 SHEET 2 OF 4

STATE OF NORTH CAROLINA
 DEPARTMENT OF TRANSPORTATION
 RALEIGH
 STANDARD
 EXPANSION JOINT SEAL
 DETAILS FOR
 BARRIER RAIL

REVISIONS						SHEET NO.
NO.	BY:	DATE:	NO.	BY:	DATE:	S-19
1			3			TOTAL SHEETS
2			4			39

DOCUMENT NOT CONSIDERED
 FINAL UNLESS ALL
 SIGNATURES COMPLETED