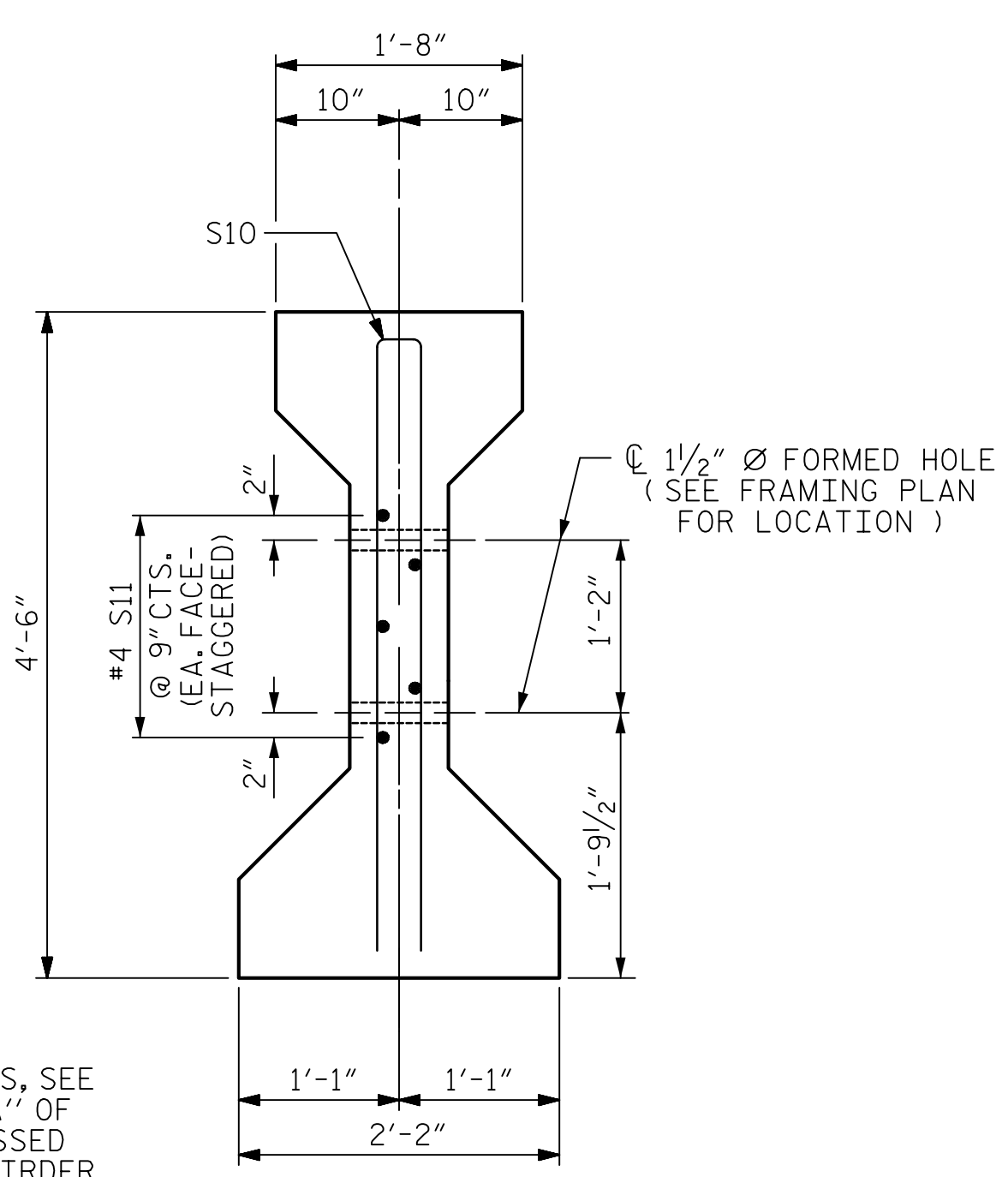


SECTION A-A

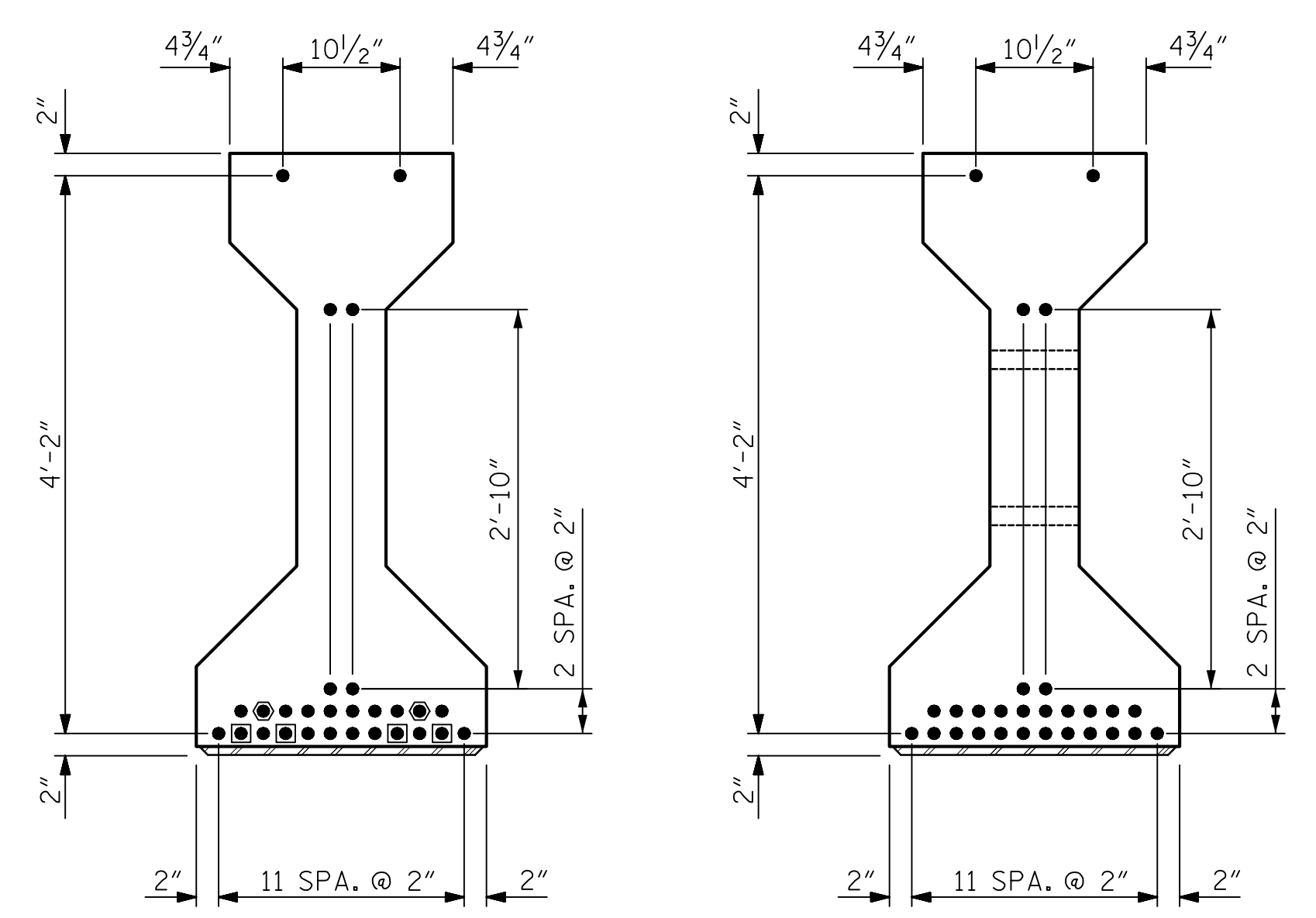
SECTION B-B



SECTION C-C

\* FOR S7 BARS, SEE  
DETAIL "A" OF  
PRESTRESSED  
CONCRETE GIRDER  
CONTINUOUS FOR LIVE  
LOAD DETAILS SHEET

(S1 BARS NOT SHOWN)

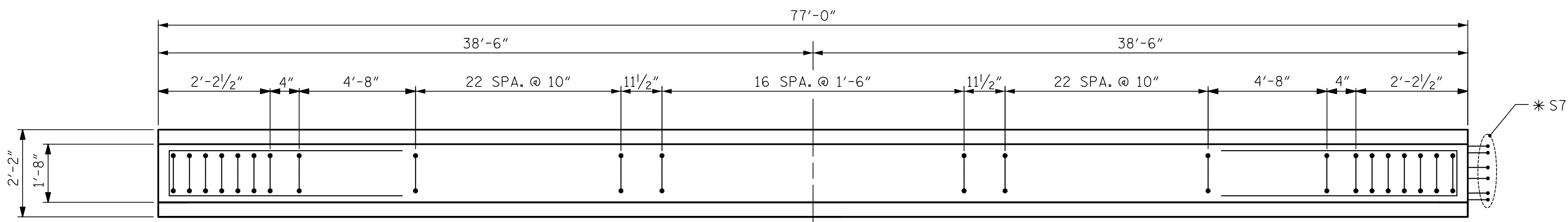


AT END OF GIRDER

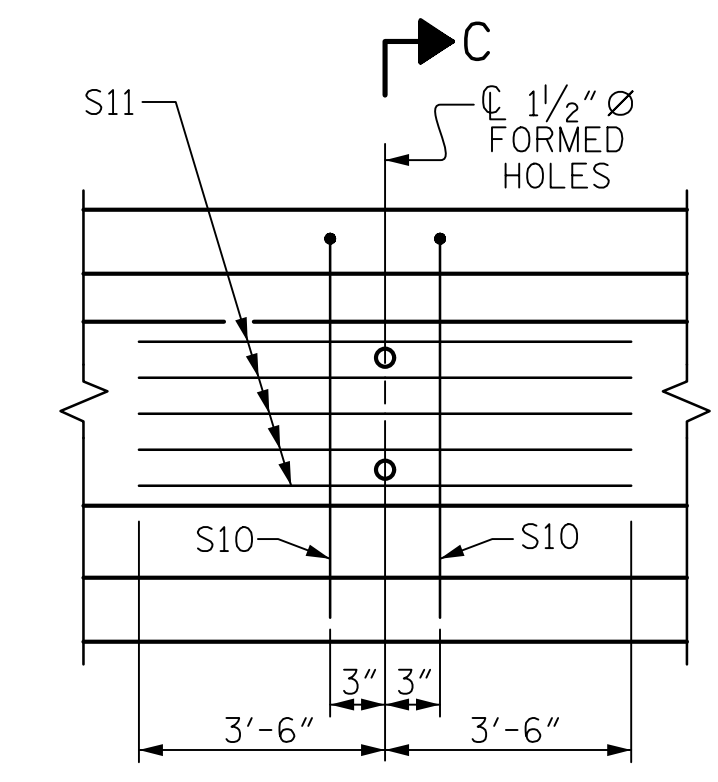
AT C OF GIRDER

0.6" Ø LOW RELAXATION STRAND LAYOUT

- FULLY BONDED STRANDS
- ◐ STRANDS DEBONDED FOR 16'-0" FROM END OF GIRDER
- ◑ STRANDS DEBONDED FOR 4'-0" FROM END OF GIRDER

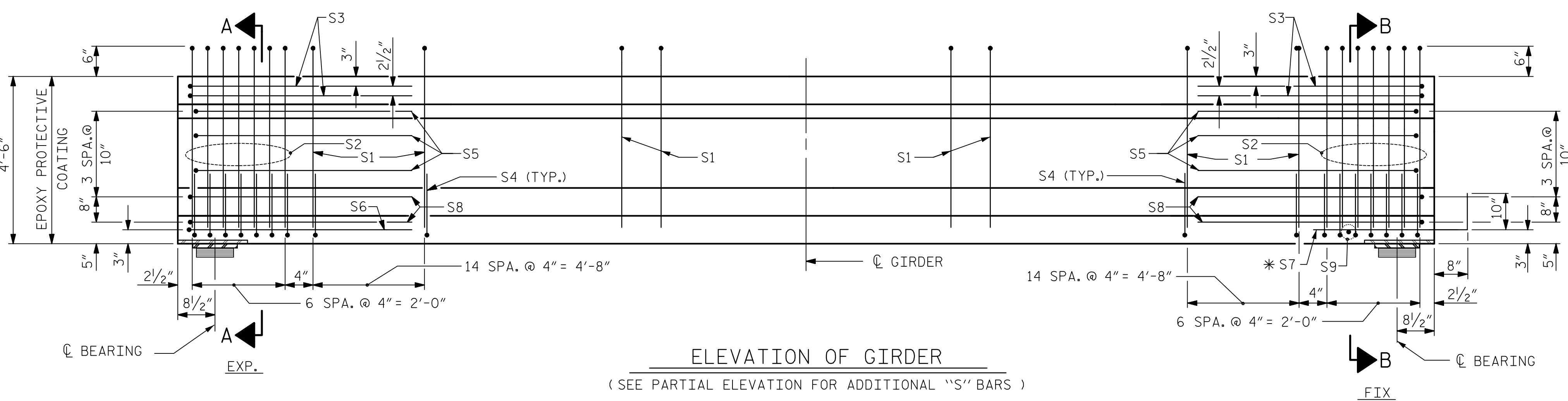


PLAN OF GIRDER



PARTIAL ELEVATION

SHOWING INTERMEDIATE DIAPHRAGM  
REINFORCING STEEL FOR ALL GIRDERS



ELEVATION OF GIRDER

(SEE PARTIAL ELEVATION FOR ADDITIONAL "S" BARS)

0.6" Ø L. R. GRADE 270 STRANDS

AREA (SQUARE INCHES)	ULTIMATE STRENGTH (LBS. PER STRAND)	APPLIED PRESTRESS (LBS. PER STRAND)
0.217	58,600	43,950

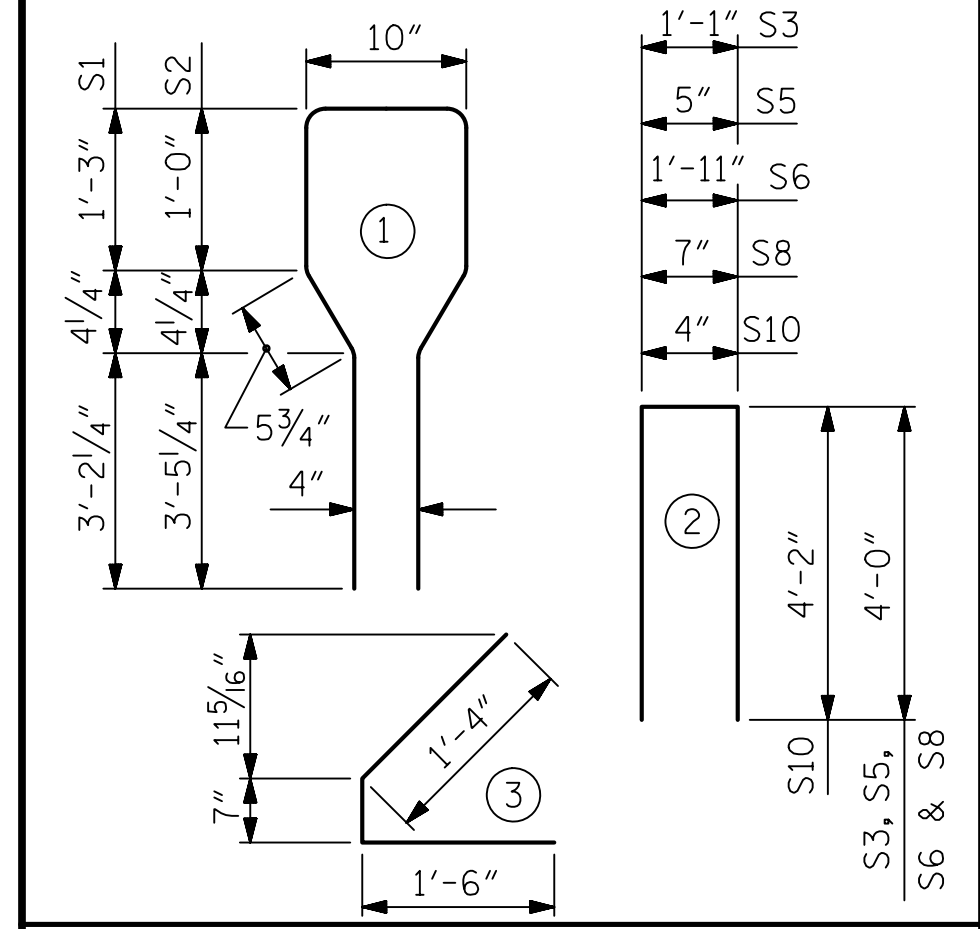
REINFORCING STEEL FOR ONE GIRDER

BAR	NUMBER	SIZE	TYPE	LENGTH	WEIGHT
S1	91	#4	1	10'-8"	648
S2	14	#6	1	10'-8"	224
S3	4	#4	2	9'-1"	24
S4	88	#4	3	3'-5"	201
S5	6	#4	2	8'-5"	34
S6	1	#4	2	9'-11"	7
* S7	6	#5	STR	3'-8"	23
S8	4	#4	2	8'-7"	23
S9	1	#3	STR	1'-10"	1
S10	2	#5	2	8'-8"	18
S11	5	#4	STR	7'-0"	23

\* NOTE: S7 BARS SHALL BE BENT BEFORE SHIPMENT. HEAT BENDING SHALL NOT BE ALLOWED.

BAR TYPES

ALL BAR DIMENSIONS ARE OUT-TO-OUT



QUANTITIES FOR ONE GIRDER

GIRDER QUANTITY	REINFORCING STEEL	5000 PSI CONCRETE	0.6" Ø L. R. STRANDS
	LB.	C.Y.	No.
1,226	15.6	28	

GIRDERS REQUIRED

NUMBER	LENGTH	TOTAL LENGTH
22	77'-0"	1694'-0"

PROJECT NO. R-4707

GUILFORD COUNTY

STATION: 41+39.51 -Y-

SHEET 1 OF 3

STATE OF NORTH CAROLINA  
DEPARTMENT OF TRANSPORTATION  
RALEIGH  
STANDARD  
AASHTO TYPE IV  
PRESTRESSED CONCRETE GIRDER  
CONTINUOUS FOR LIVE LOAD  
SPAN "A" & "B"

REVISIONS						SHEET NO. S-11
NO.	BY:	DATE:	NO.	BY:	DATE:	
1			3			TOTAL SHEETS 39
2			4			



111 E. Hargett Street  
Suite 300  
Raleigh, NC 27601  
919-714-8670  
meadhunt.com  
NC License No. F-1235



DOCUMENT NOT CONSIDERED  
FINAL UNLESS ALL  
SIGNATURES COMPLETED

ASSEMBLED BY : J.S. HOBSON	DATE : 10/05/18
CHECKED BY : A.J. FORFA	DATE : 10/16/18
DRAWN BY : ELR 8/91	REV. 10/1/11 MAA/GM
CHECKED BY : GRP 8/91	REV. 1/15 MAA/TMG
	REV. 12/17 MAA/THC