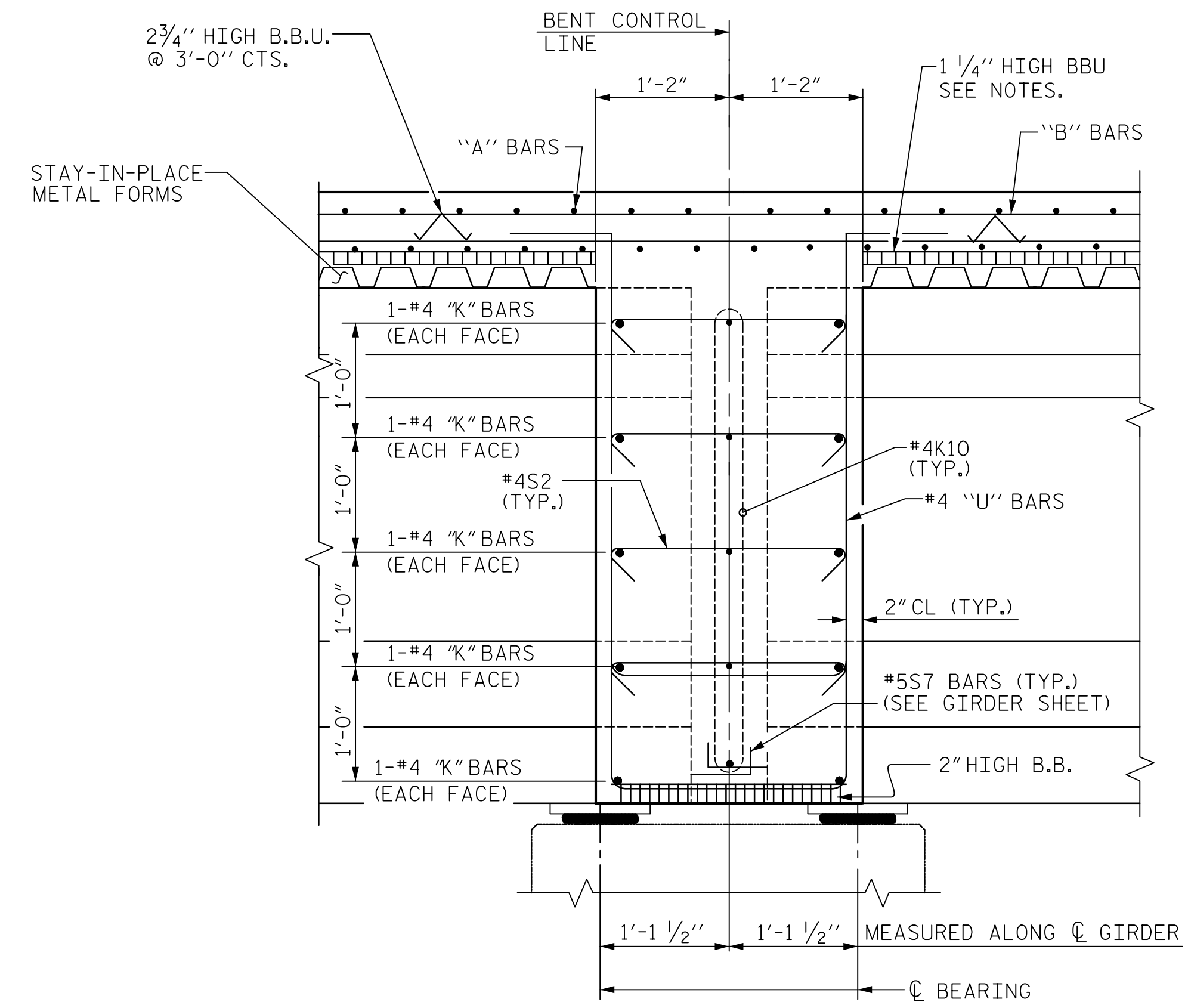
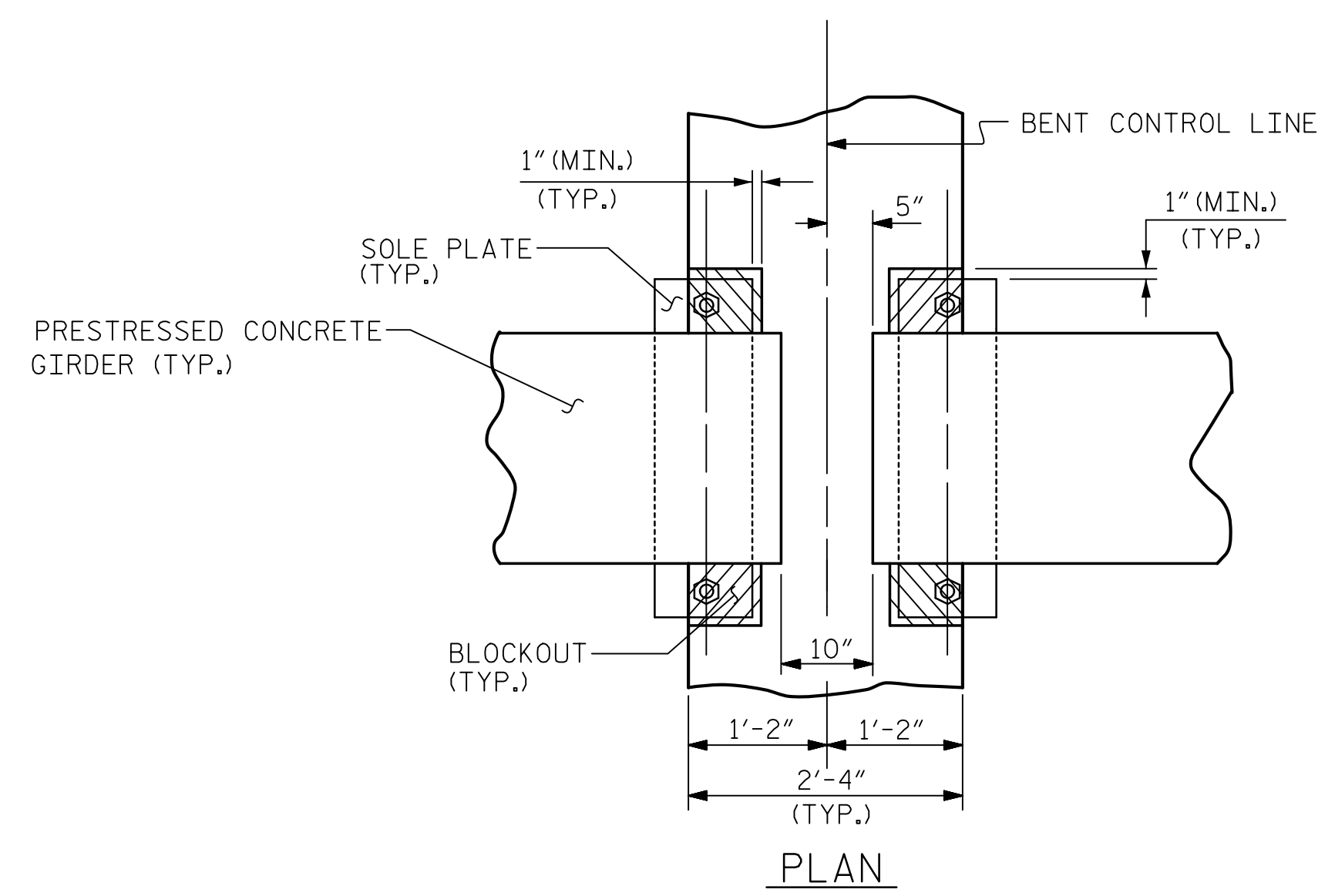


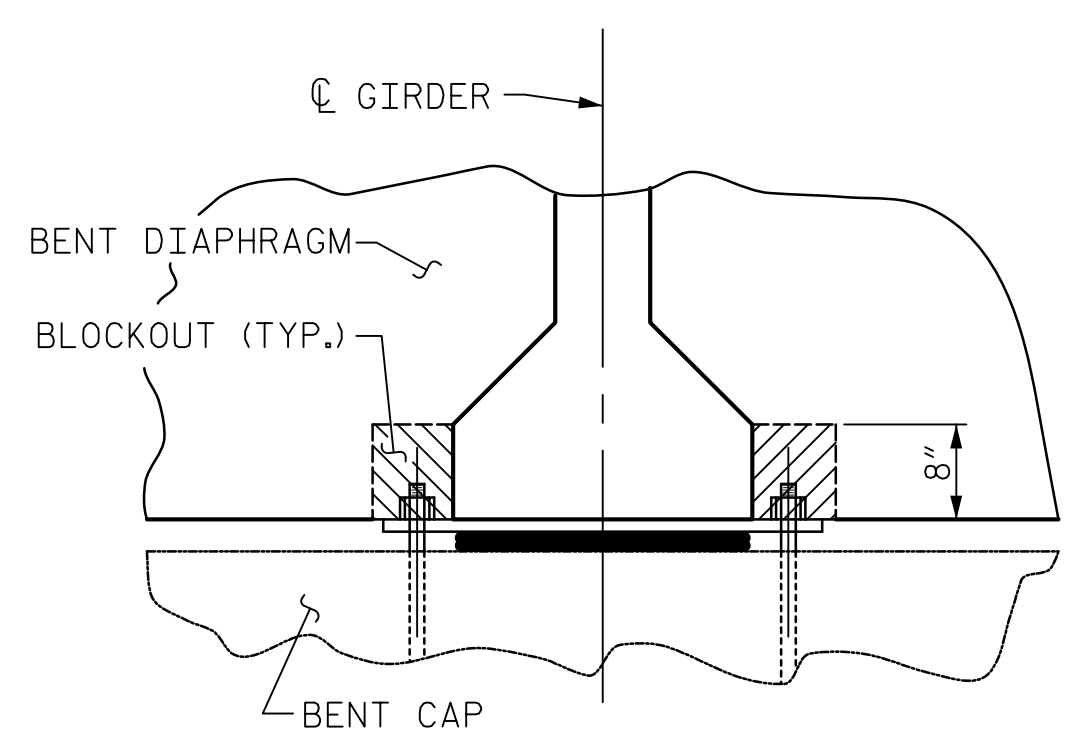
SECTION THROUGH END BENT DIAPHRAGM



SECTION THROUGH CONTINUOUS BENT DIAPHRAGM



BENT DIAPHRAGM BLOCKOUT DETAIL



SECTION

Mead & Hunt
 111 E. Hargett Street
 Suite 300
 Raleigh, NC 27601
 919-714-8670
 meadhunt.com
 NC License No. F-1235



PROJECT NO. R-4707
GUILFORD COUNTY
 STATION: 41+39.51 -Y-
 SHEET 3 OF 3

STATE OF NORTH CAROLINA
 DEPARTMENT OF TRANSPORTATION
 RALEIGH
 SUPERSTRUCTURE
 TYPICAL SECTION
 DETAILS

DRAWN BY : J.S. HOBSON DATE : 12/04/18
 CHECKED BY : J.A. LEE DATE : 12/18/18
 DESIGN ENGINEER OF RECORD : J.S. HOBSON DATE : 02/07/20

DOCUMENT NOT CONSIDERED
 FINAL UNLESS ALL
 SIGNATURES COMPLETED

REVISIONS						SHEET NO.
NO.	BY:	DATE:	NO.	BY:	DATE:	S-07
1			3			TOTAL SHEETS
2			4			39