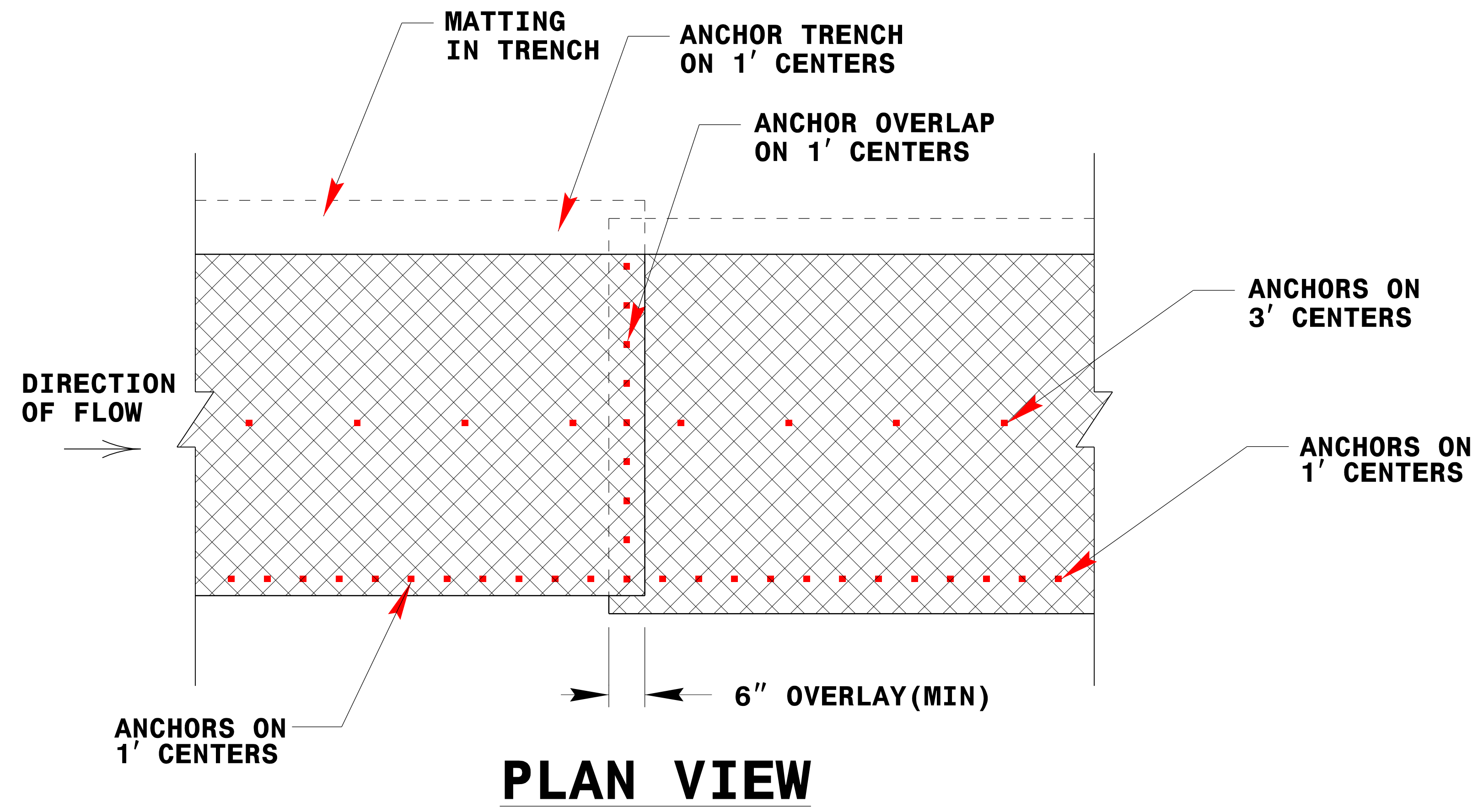
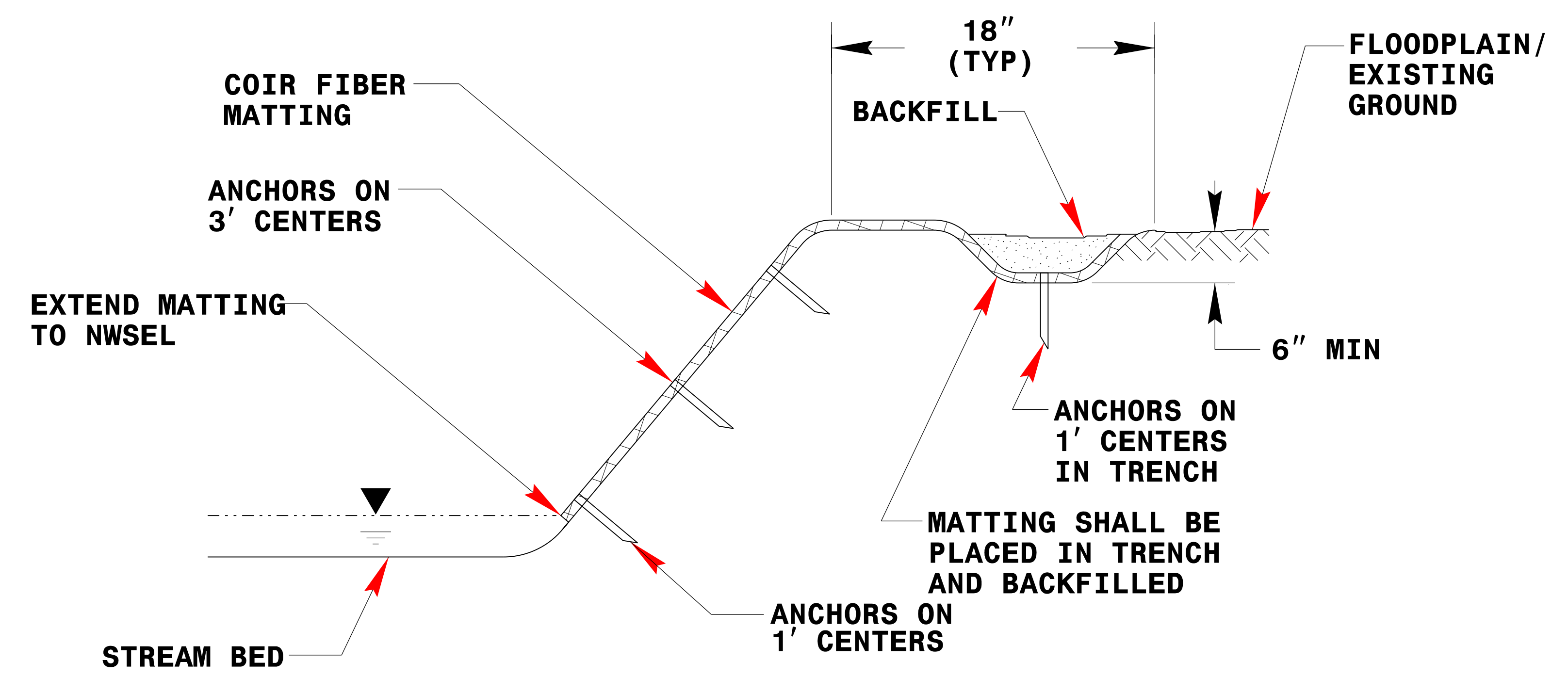


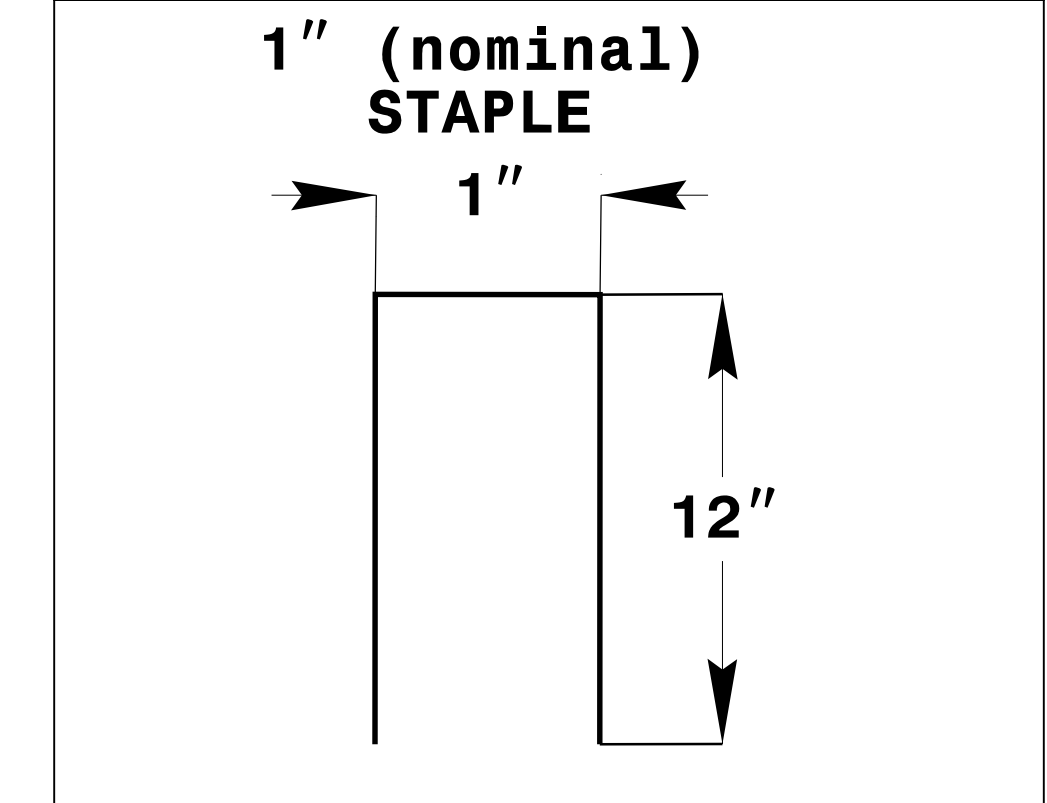
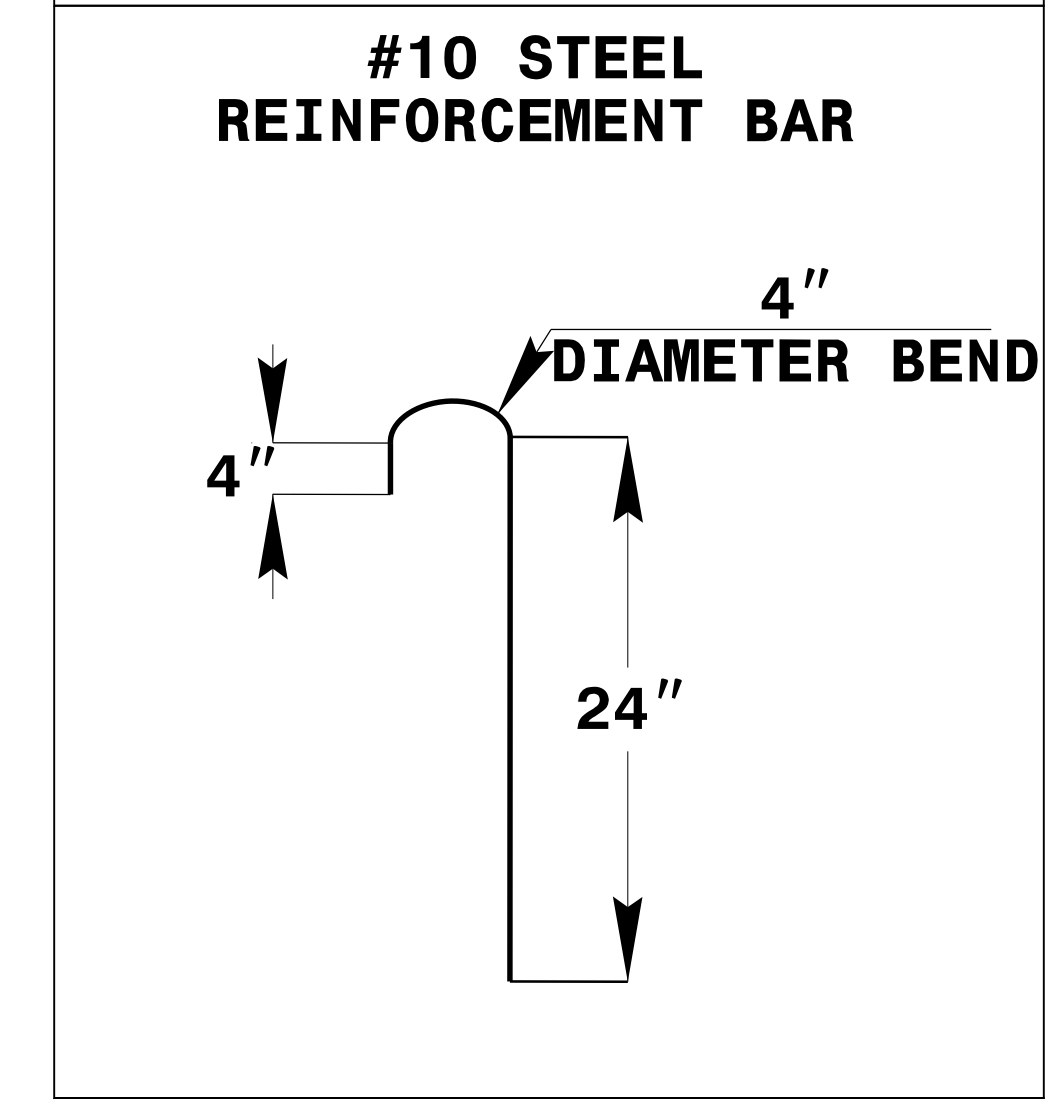
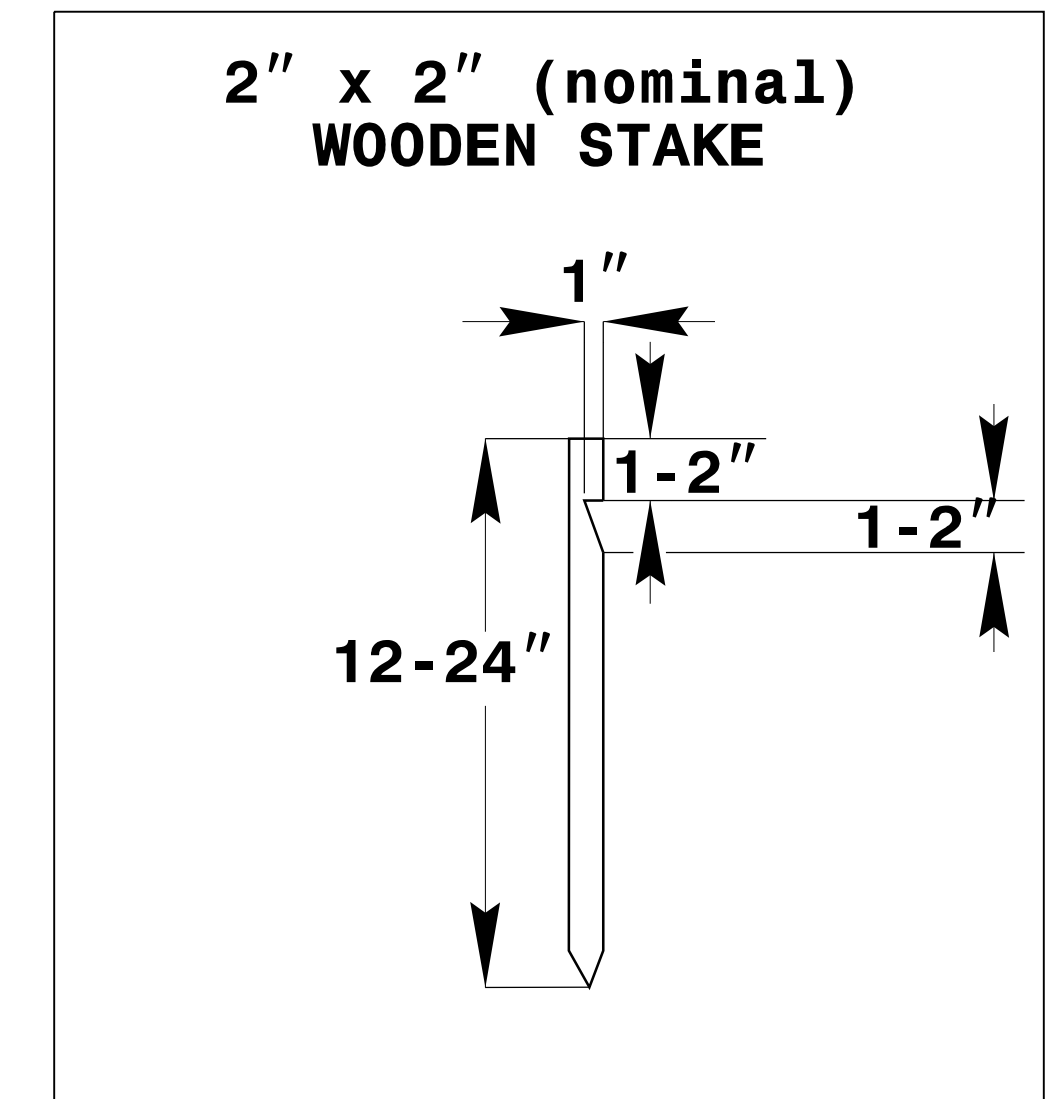
PROJECT REFERENCE NO. <i>R-4707</i>	SHEET NO. <i>RF-3</i>
RW SHEET NO.	
ROADWAY DESIGN ENGINEER	HYDRAULICS ENGINEER



PLAN VIEW



TYPICAL CROSS SECTION



ANCHOR OPTIONS

COIR FIBER MATTING DETAIL

NOT TO SCALE