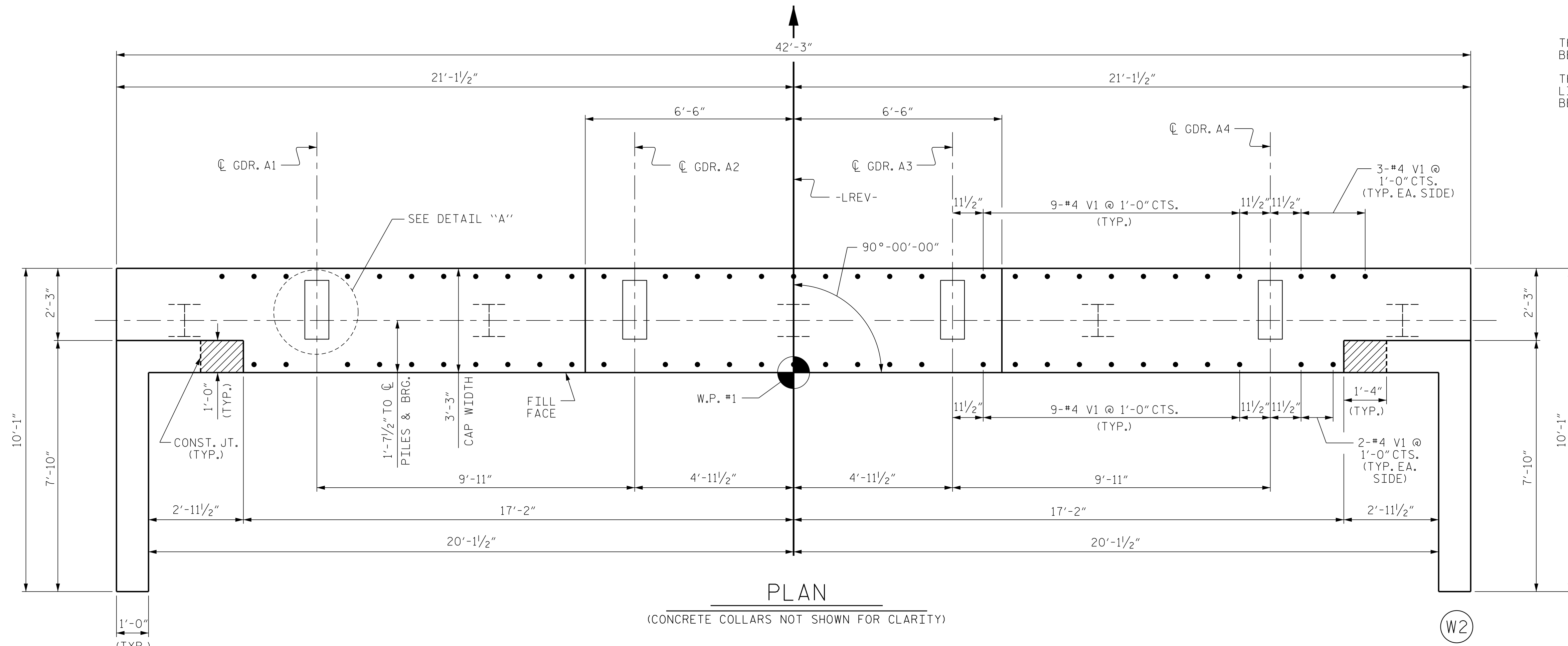


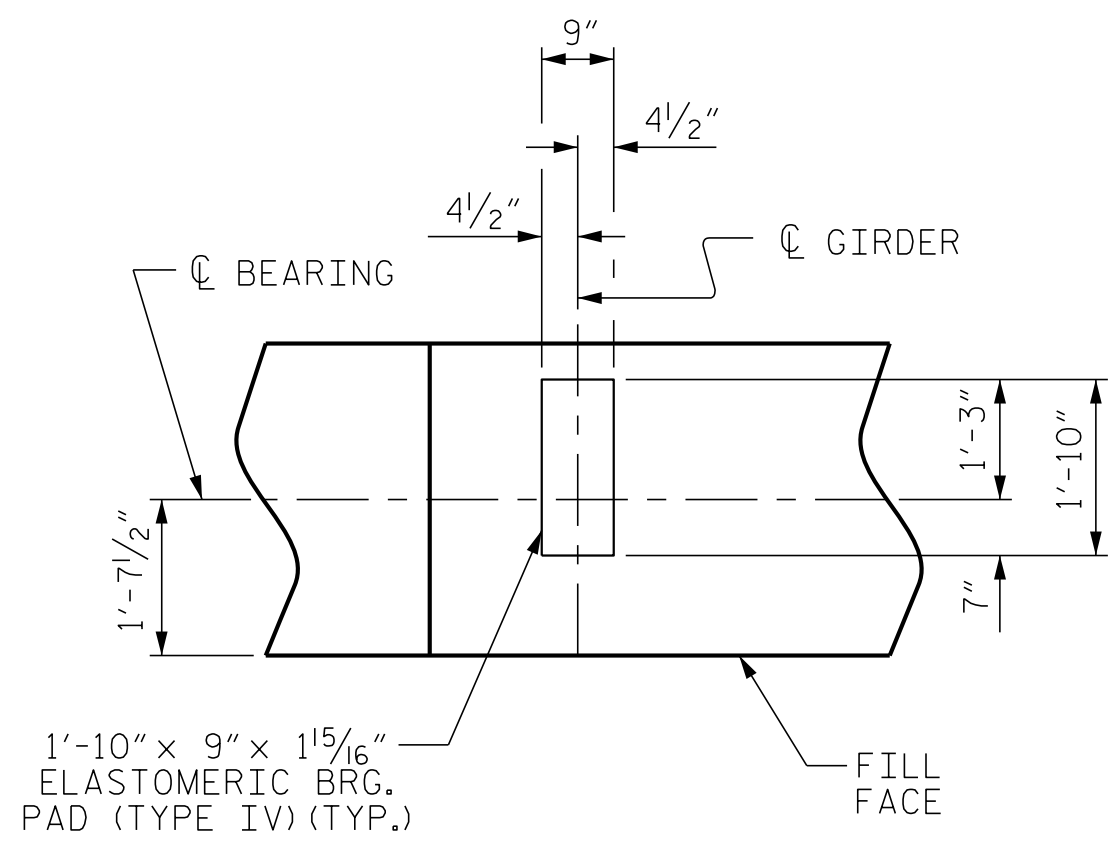
NOTES:

THE CONCRETE IN THE SHADED AREA OF THE WING SHALL BE POURED AFTER THE BARRIER RAILS ARE CAST.

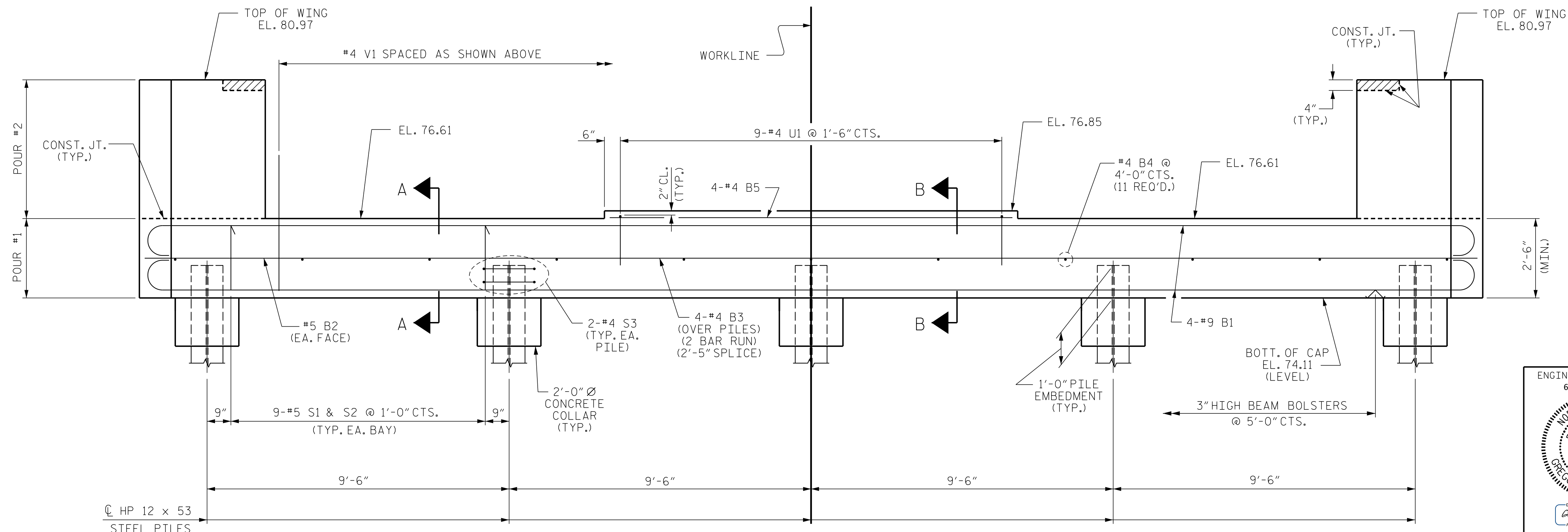
THE TOP SURFACE OF THE END BENT CAP WITHIN THE LIMITS OF THE INTEGRAL ABUTMENT, EXCEPT THE BEARING AREA, SHALL BE RAKED TO A DEPTH OF 1/4".



PLAN
(CONCRETE COLLARS NOT SHOWN FOR CLARITY)



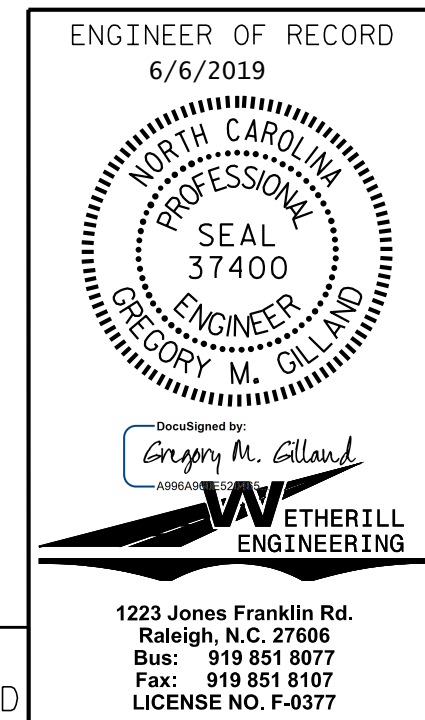
DETAIL A
(TYP. EA. GIRDER)



ELEVATION

FOR SECTION A-A & B-B, SEE SHEET 3 OF 3.

PROJECT NO. BR-0014
CUMBERLAND COUNTY
 STATION: 21+37.00 -LREV-
 SHEET 1 OF 3



STATE OF NORTH CAROLINA DEPARTMENT OF TRANSPORTATION RALEIGH					
SUBSTRUCTURE END BENT No. 1					
REVISIONS					
NO.	BY:	DATE:	NO.	BY:	DATE:
1			3		
2			4		
					SHEET NO. S-18
					TOTAL SHEETS 28

DRAWN BY: D. HODGE DATE: 3/19
 CHECKED BY: G.M. GILLAND DATE: 4/19

DOCUMENT NOT CONSIDERED FINAL
 UNLESS ALL SIGNATURES COMPLETED

P:\2018\SMU Bridge Replacement Program\BR-0014\Structures\DG\NB\0014_SMU_EB.dgn
 6/6/2019 1:46:19 PM