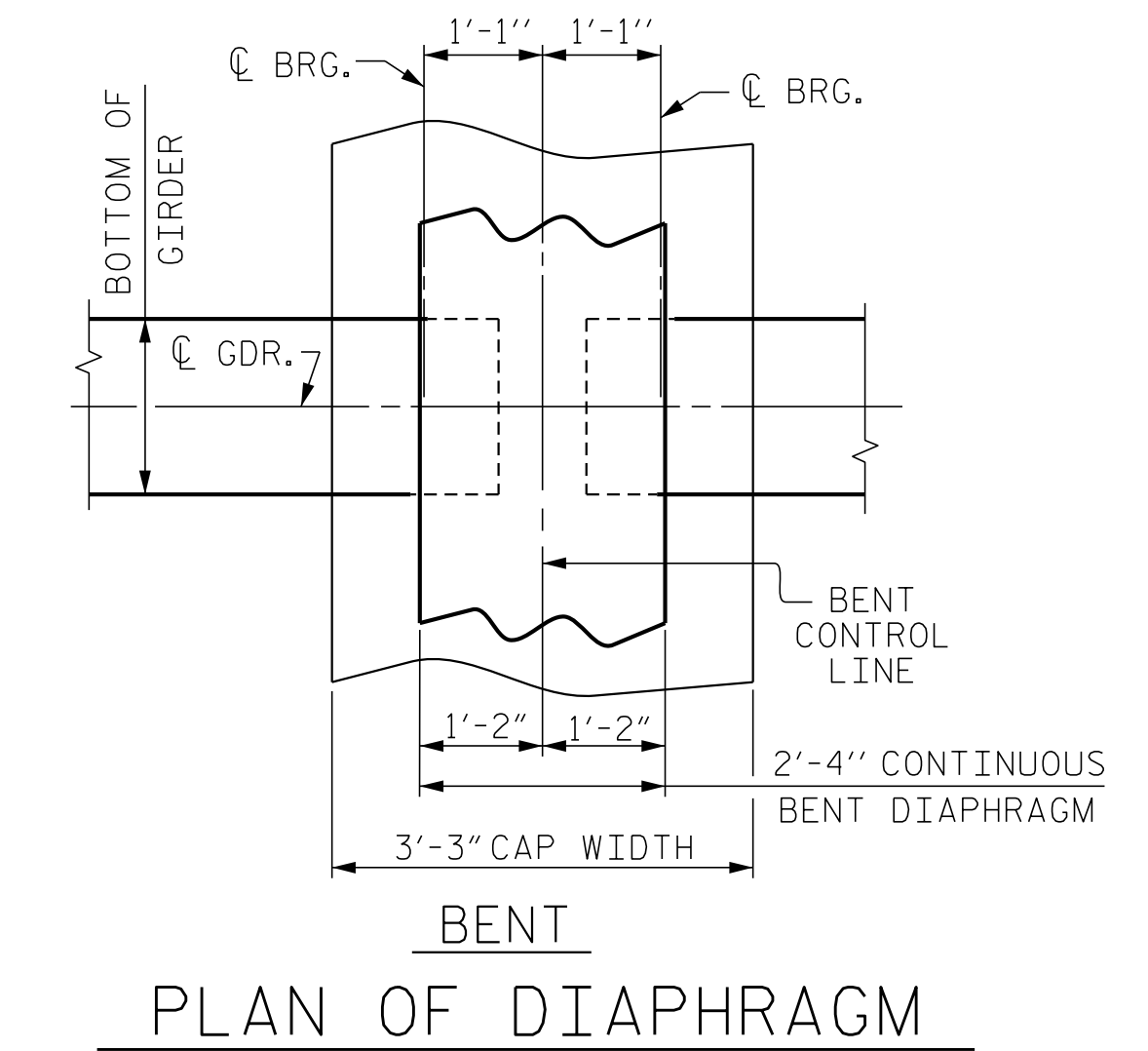
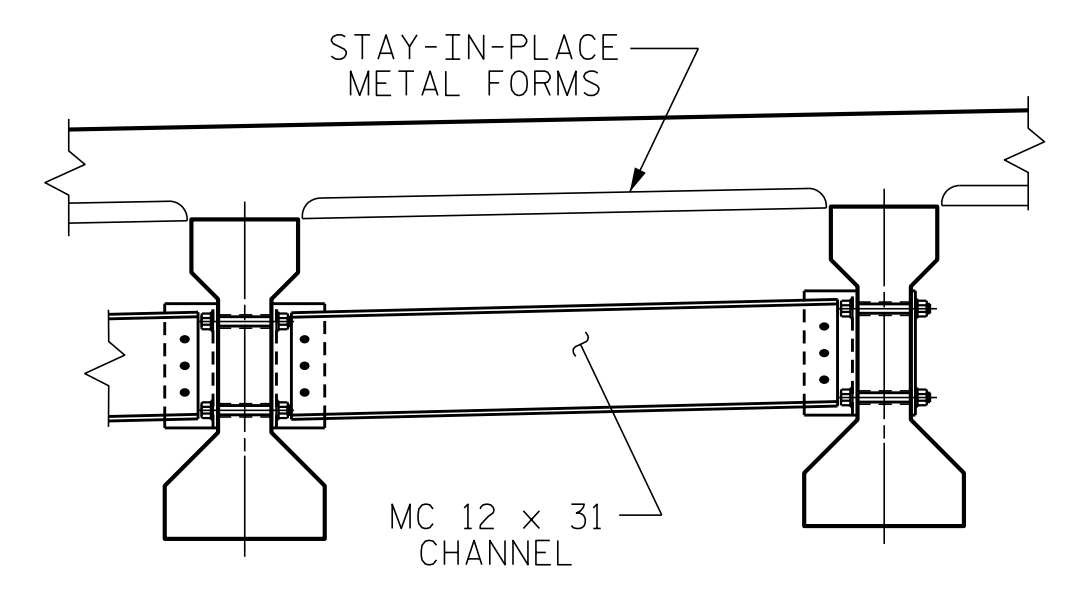


TYPICAL SECTION
BENT No. 1 DIAPHRAGM

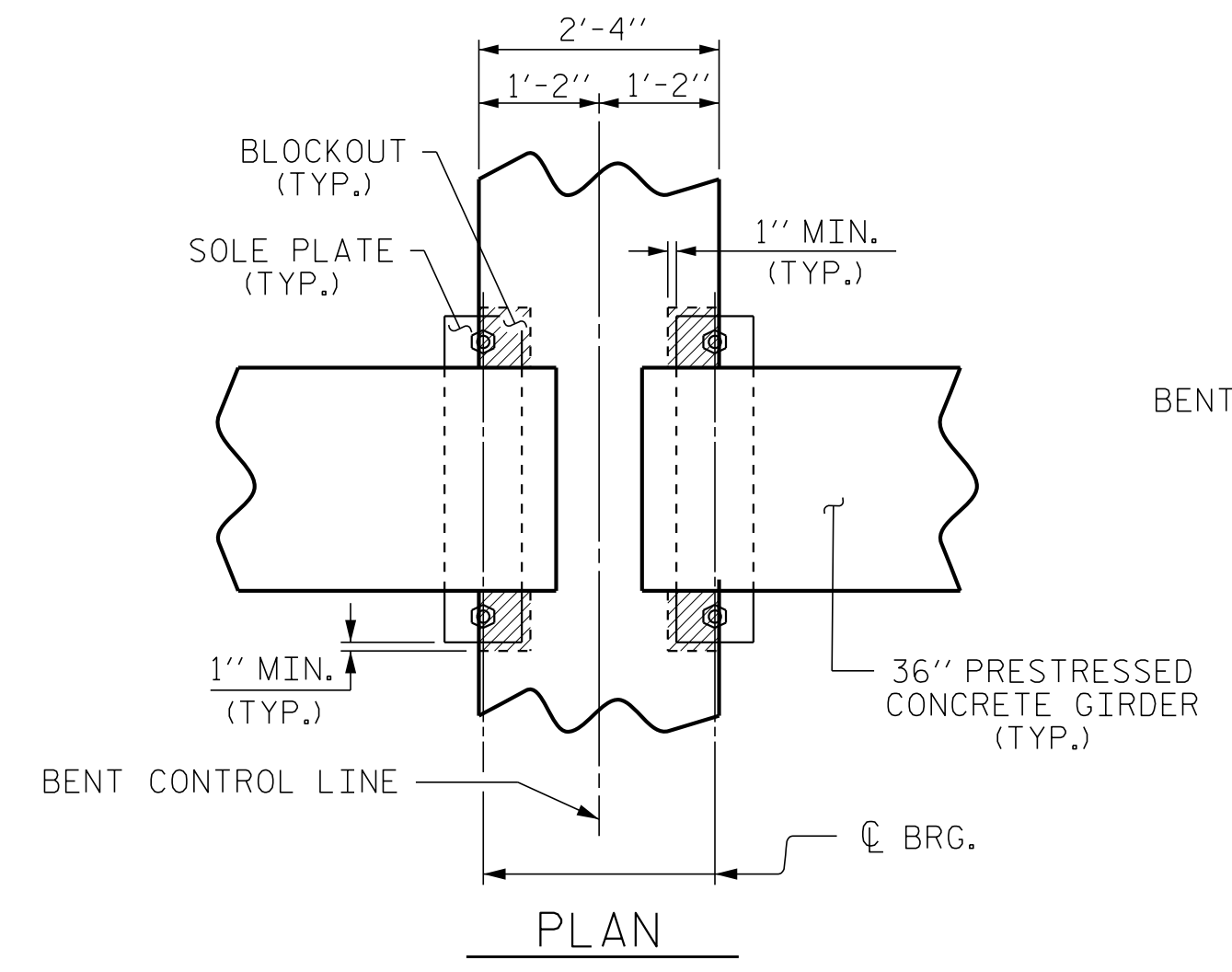


PLAN OF DIAPHRAGM

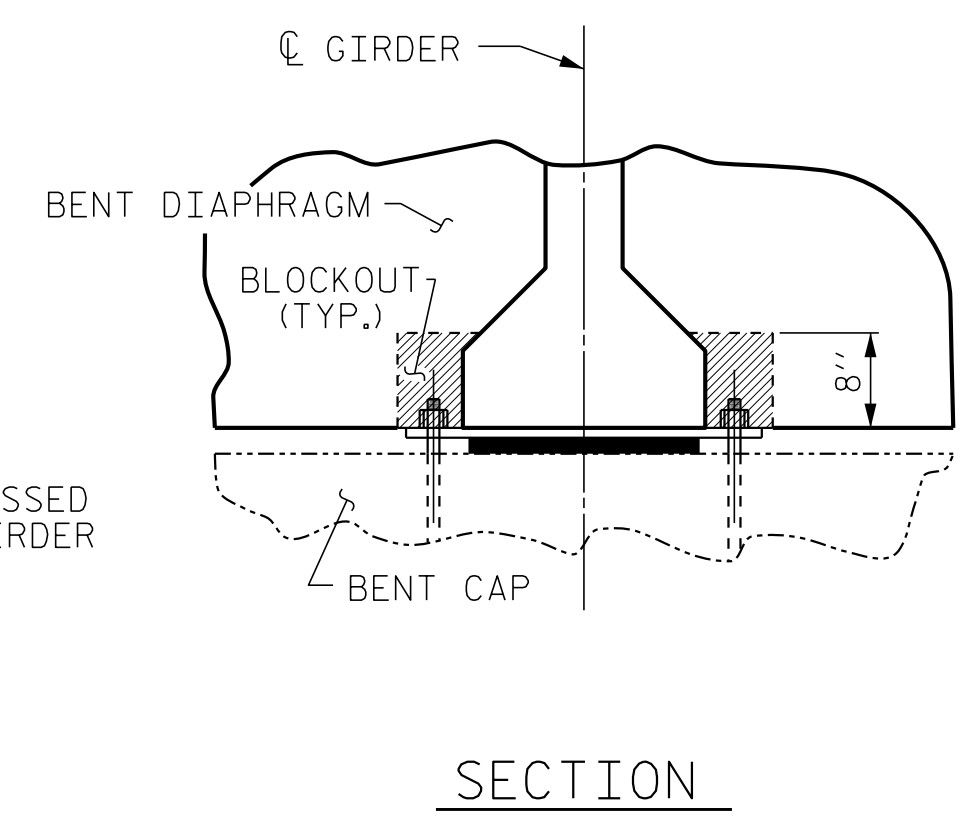


TYPICAL INTERMEDIATE DIAPHRAGM

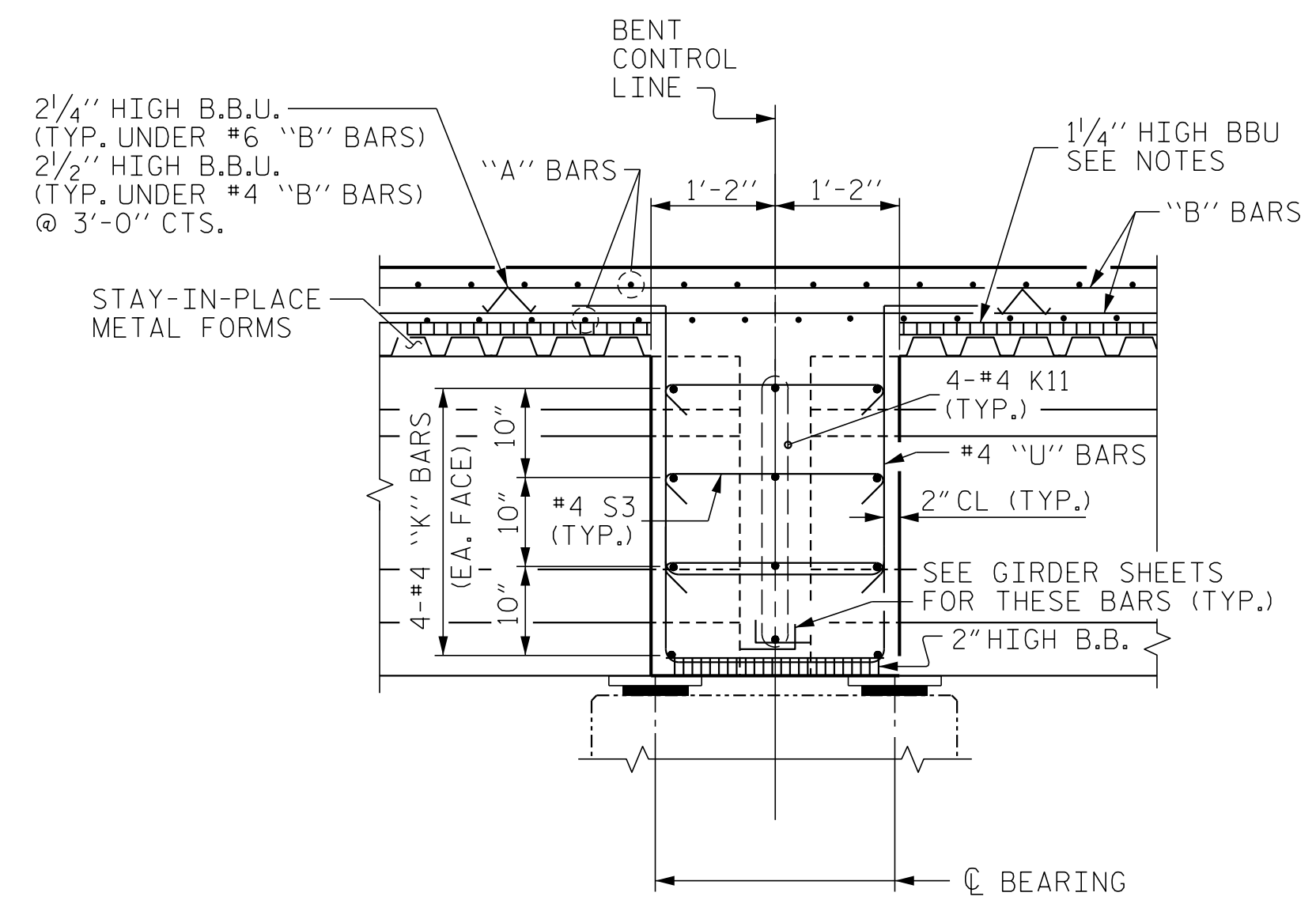
SEE "INTERMEDIATE STEEL DIAPHRAGMS FOR TYPE II PRESTRESSED CONCRETE GIRDERS" SHEET FOR DETAILS



BENT DIAPHRAGM BLOCK-OUT DETAIL

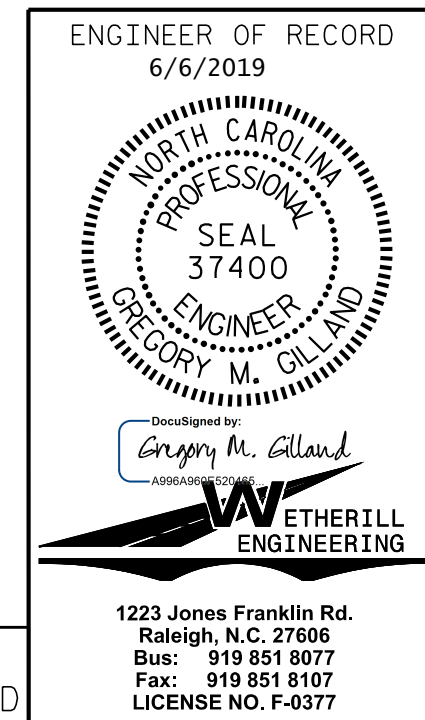


SECTION



SECTION THRU CONTINUOUS BENT DIAPHRAGM

PROJECT NO. BR-0014
CUMBERLAND COUNTY
STATION: 21+37.00 -LREV-
SHEET 2 OF 2



STATE OF NORTH CAROLINA DEPARTMENT OF TRANSPORTATION RALEIGH		SUPERSTRUCTURE TYPICAL SECTION	
REVISIONS			
NO.	BY:	DATE:	SHEET NO.
1			S-6
2			TOTAL SHEETS 28

DRAWN BY: D. HODGE DATE: 3/19
CHECKED BY: B.C. HUNT DATE: 3/19

DOCUMENT NOT CONSIDERED FINAL
UNLESS ALL SIGNATURES COMPLETED

P:\2018\SMU Bridge Replacement Program\BR-0014\Structures\DG\NB\0014_SMU_TS.dgn 6/6/2019 1:35:50 PM