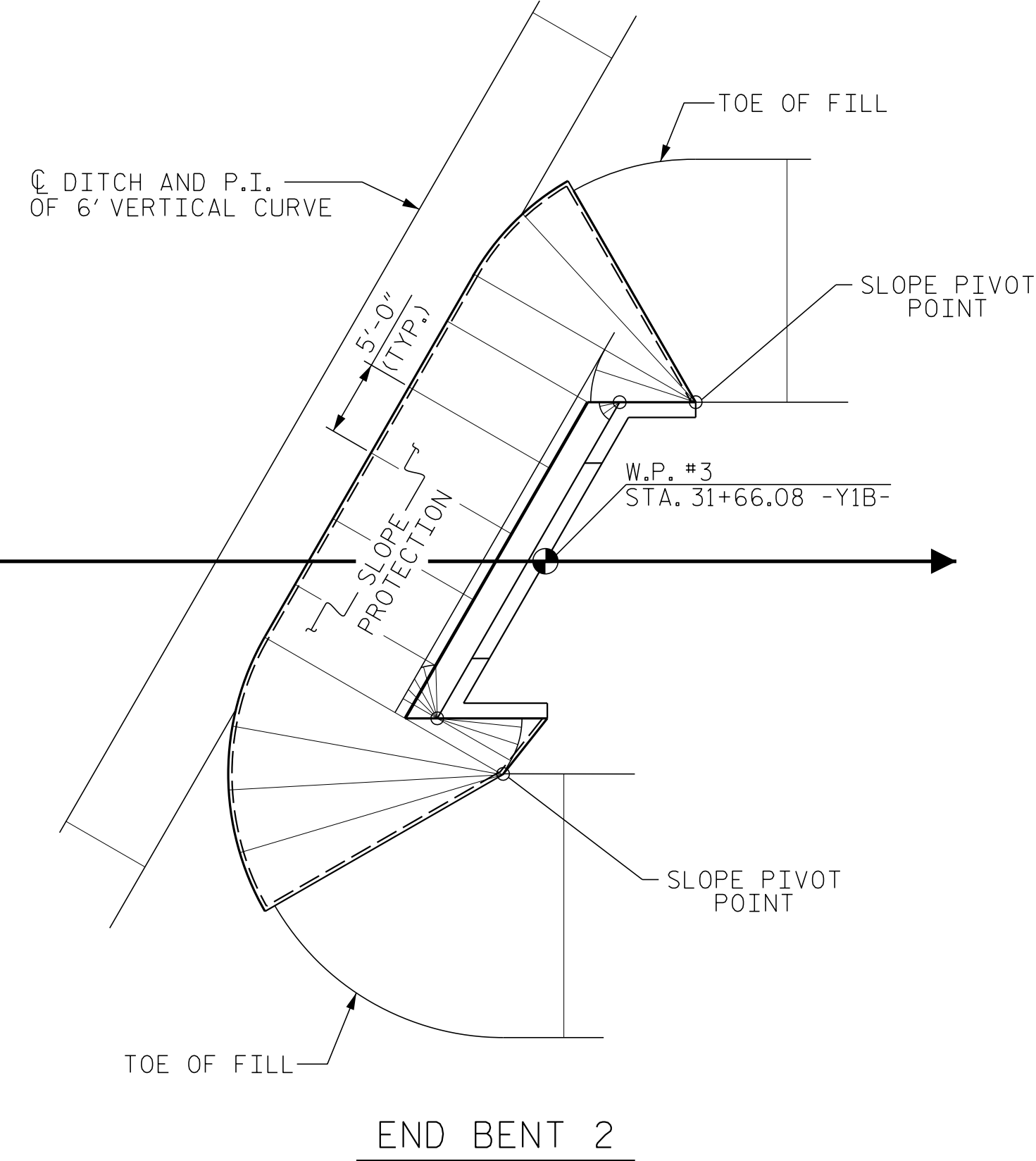
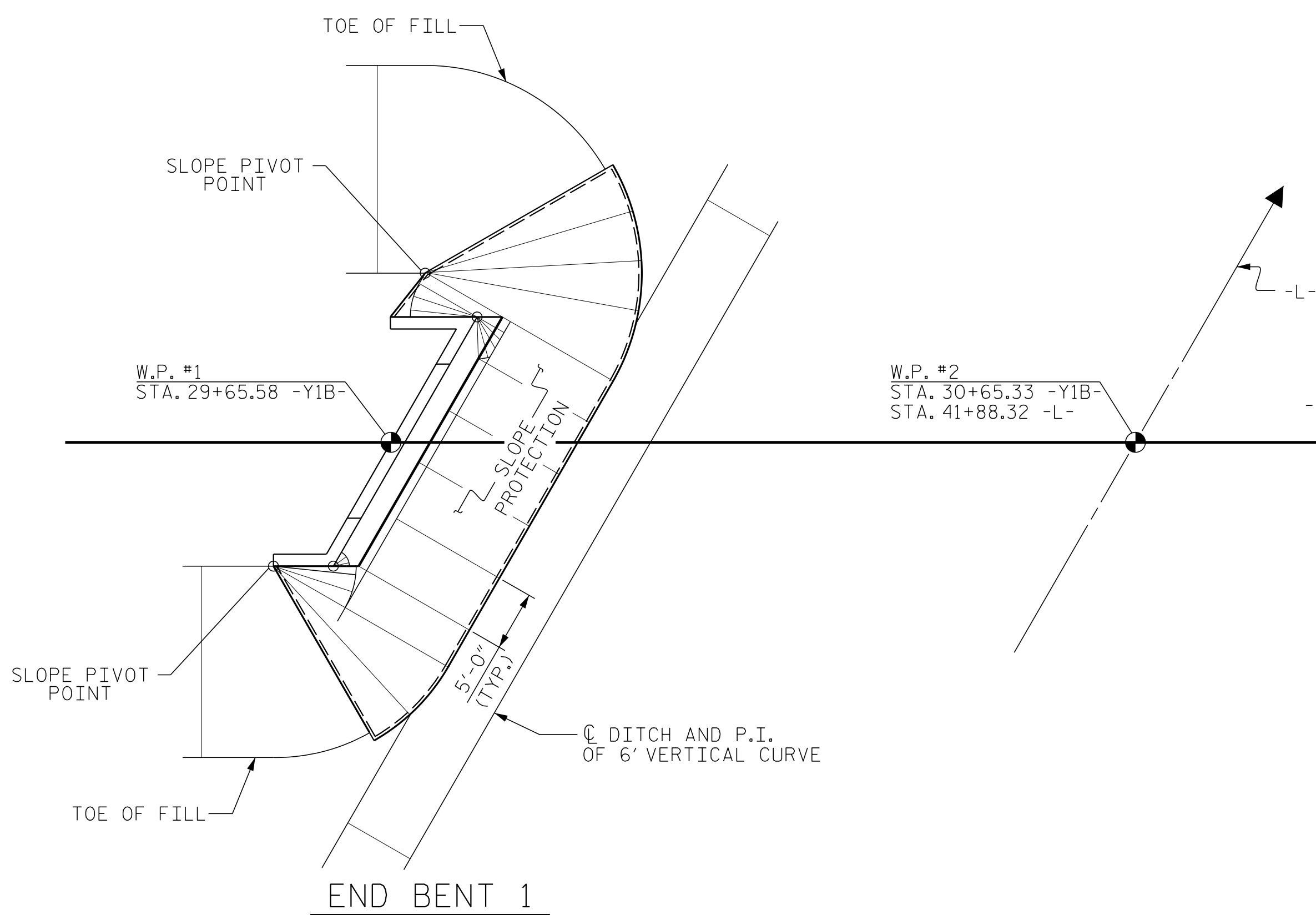
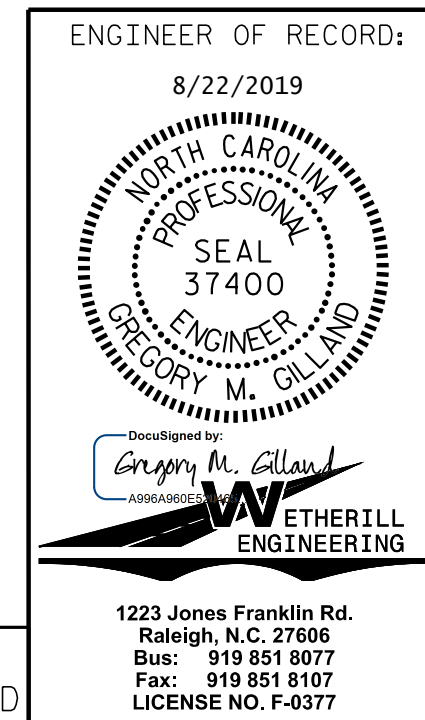


PLAN - GRADING



PLAN - CONCRETE PLACEMENT

PROJECT NO. R-5797
 COLUMBUS COUNTY
 STATION: 30+65.33 -Y1B-
 SHEET 2 OF 2



STATE OF NORTH CAROLINA DEPARTMENT OF TRANSPORTATION RALEIGH					
STANDARD SLOPE PROTECTION DETAILS					
REVISIONS					
NO.	BY:	DATE:	NO.	BY:	DATE:
1			3		
2			4		
					SHEET NO. S-31
					TOTAL SHEETS 33

ASSEMBLED BY : B.C. HUNT	DATE : 1-19
CHECKED BY : G.M. GILLILAND	DATE : 4-19
DRAWN BY : WJH 10/88	REV. 10/11/11 MAA/GM
CHECKED BY : FCJ 10/88	REV. 1/16 MAA/TMG
	REV. 12/17 MAA/THC

DOCUMENT NOT CONSIDERED FINAL
 UNLESS ALL SIGNATURES COMPLETED

P:\2017\1718601-R-5797-Structures\06NR5797_SMU_SF.dgn
 8/21/2019 1:45:41 PM