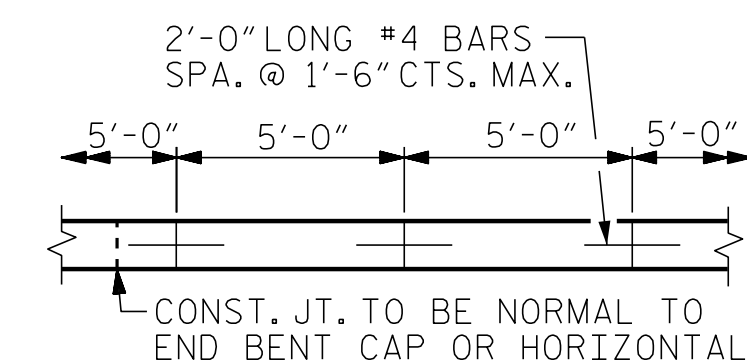


GENERAL NOTES

STRAIGHT EDGING WILL NOT BE REQUIRED UNLESS, IN THE OPINION OF THE ENGINEER, VISUAL INSPECTION INDICATES A NEED FOR IT. MEASUREMENT AND PAYMENT SHALL BE AS PRESCRIBED IN SECTION 462 OF THE STANDARD SPECIFICATIONS. FOR BERM WIDTH, SEE GENERAL DRAWING. SLOPE PROTECTION SHALL CONSIST OF 4" POURED-IN-PLACE CONCRETE PAVING AS SHOWN IN THE DETAILS ON THIS SHEET. CONCRETE SHALL BE CLASS "B", THE CONCRETE SURFACE SHALL BE FLOATED WITH A WOODEN FLOAT AND FINISHED. WELDED WIRE FABRIC REINFORCING SHALL BE 6 X 6 - W1.4 X W1.4, 60" WIDE. SLOPE PROTECTION SHALL BE POURED IN 5' STRIPS AS SHOWN IN THE "POURING DETAIL" WITH 2'-0" LONG #4 BARS PLACED ALONG THE SLOPE BETWEEN STRIPS AT 1'-6" MAXIMUM SPACING. SLOPE PROTECTION MAY BE POURED IN ALTERNATE 4' AND 5' STRIPS AS SHOWN IN THE "OPTIONAL POURING DETAIL" WITH ADJACENT RUNS OF WELDED WIRE FABRIC LAPPING AT LEAST 6". THE COST OF THE WELDED WIRE FABRIC AND #4 BARS, IF USED, SHALL BE INCLUDED IN THE CONTRACT UNIT PRICE BID PER SQUARE YARD FOR SLOPE PROTECTION.

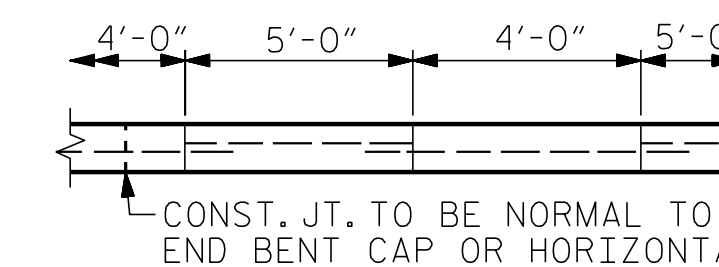
BRIDGE @ STA. 30+65.33 -Y1B-	4 INCH SLOPE PROTECTION	* WELDED WIRE FABRIC 60 INCHES WIDE
	SQUARE YARDS	APPROX. L.F.
END BENT 1	265	610
END BENT 2	270	675

* QUANTITY SHOWN IS BASED ON 5' POURS.



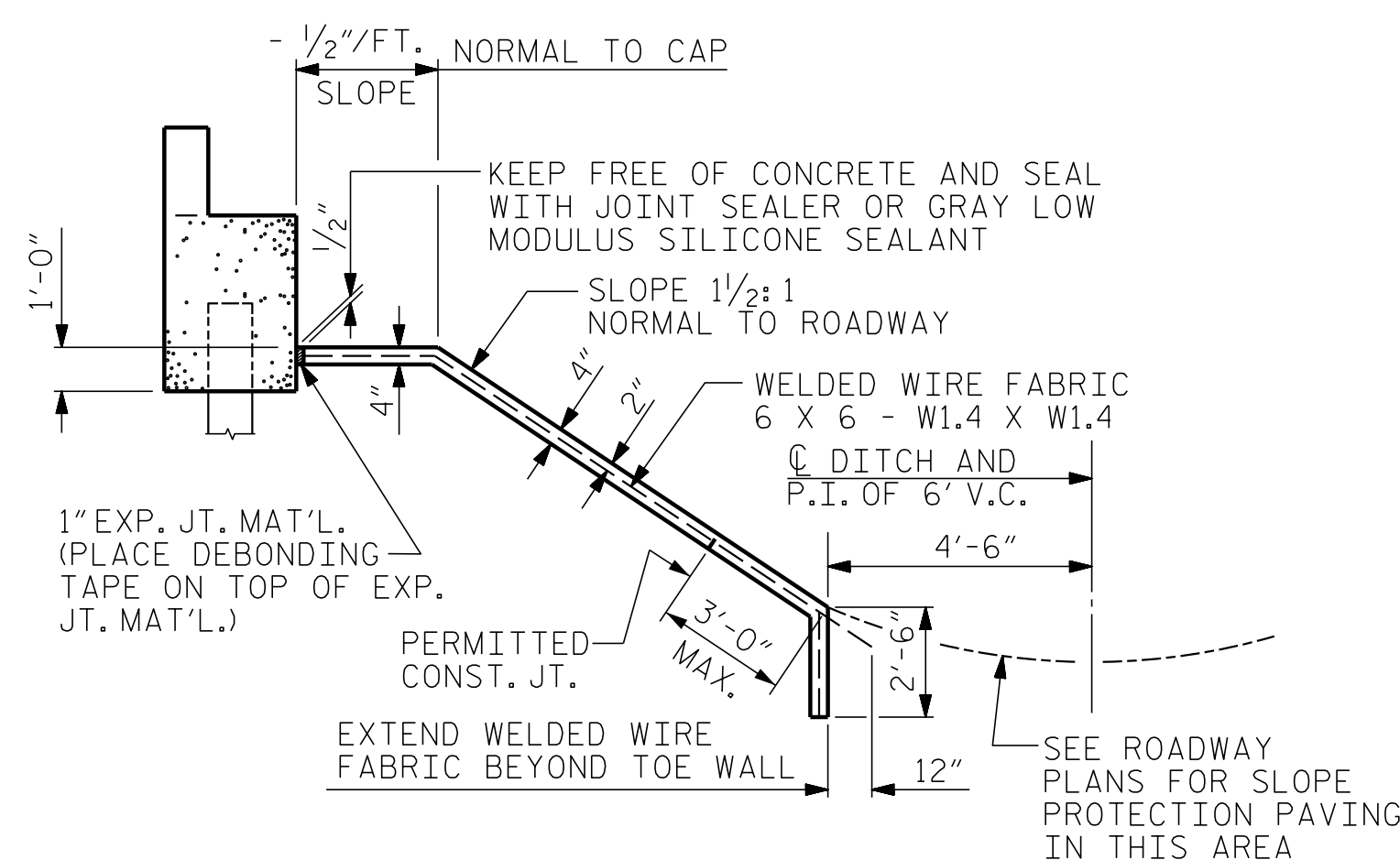
STRIP WIDTHS MAY VARY IN CURVED PORTION.

POURING DETAIL

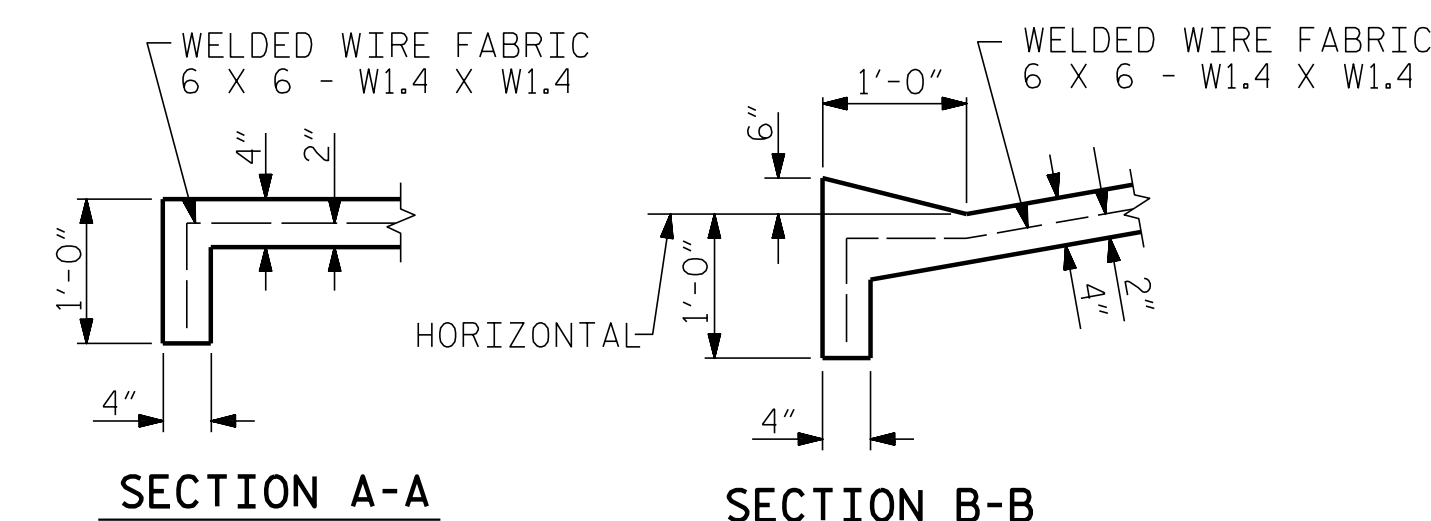


POUR A 4'-0" STRIP FIRST. STRIP WIDTHS MAY VARY IN CURVED PORTION.

OPTIONAL POURING DETAIL



SECTION ALONG C SURVEY WHEN FILL CATCHES IN DITCH



PROJECT NO. R-5797
 COLUMBUS COUNTY
 STATION: 30+65.33 -Y1B-

SHEET 1 OF 2

ENGINEER OF RECORD:
 8/22/2019
 NORTH CAROLINA PROFESSIONAL SEAL 37400
 GREGORY M. GILLAND
 WETHERILL ENGINEERING
 1223 Jones Franklin Rd.
 Raleigh, N.C. 27606
 Bus: 919 851 8077
 Fax: 919 851 8107
 LICENSE NO. F-0377

STATE OF NORTH CAROLINA
 DEPARTMENT OF TRANSPORTATION
 RALEIGH
 STANDARD
 SLOPE PROTECTION
 DETAILS

REVISIONS

NO.	BY:	DATE:	NO.	BY:	DATE:
1			3		
2			4		

SHEET NO.
 S-30
 TOTAL SHEETS
 33

DOCUMENT NOT CONSIDERED FINAL
 UNLESS ALL SIGNATURES COMPLETED

PA:20 17.17 186.0 1-R-5797 Structures\06NR5797-SMU_SF.dgn
 8/21/2019 1:45:21 PM

ASSEMBLED BY : B.C. HUNT	DATE : 1-19
CHECKED BY : G.M. GILLAND	DATE : 4-19
DRAWN BY : ELR 5/92	REV. 12/21/11 MAA/GM
CHECKED BY : GRP 6/92	REV. 1/16 MAA/TMG
	REV. 12/17 MAA/THC