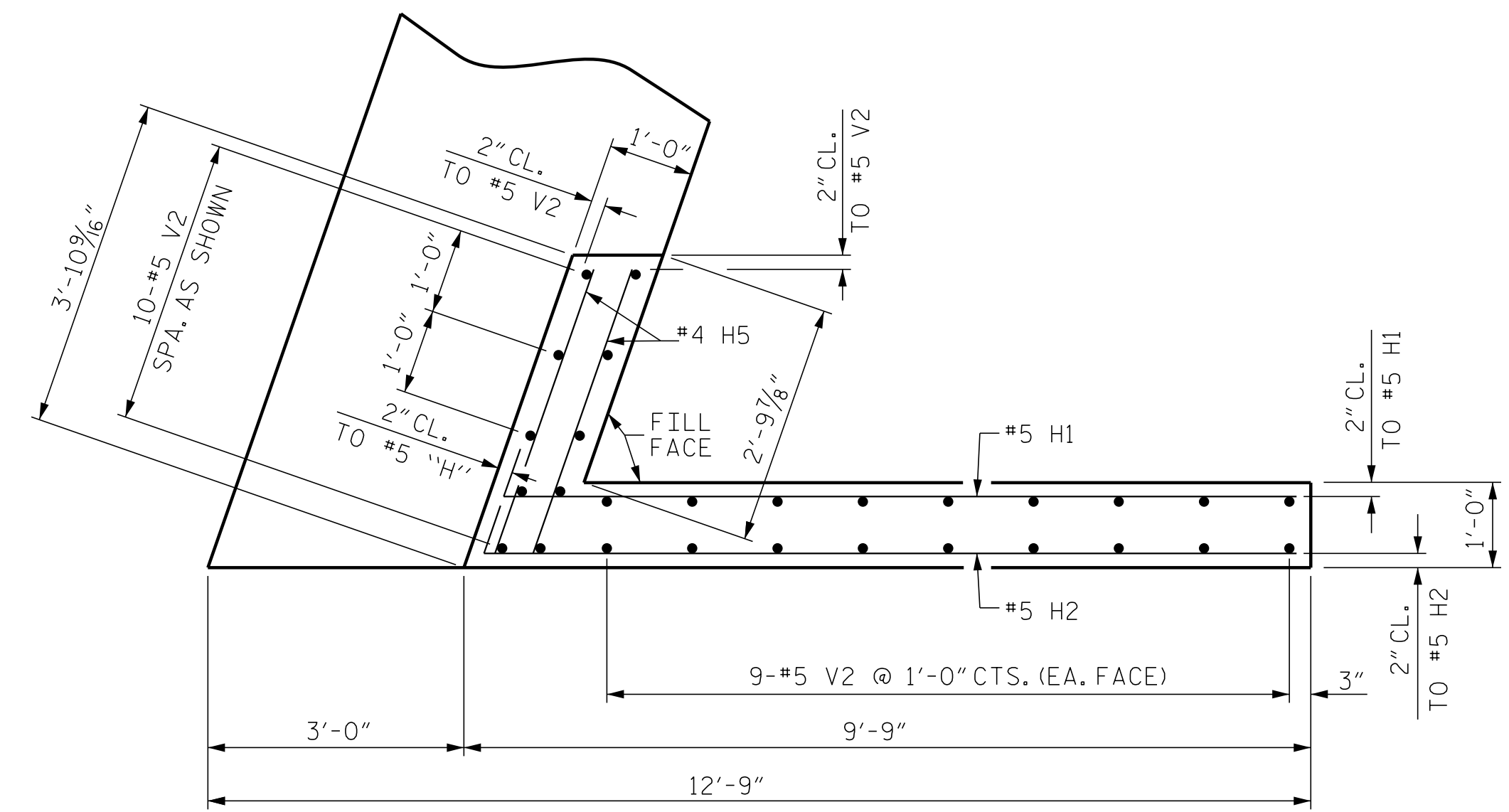
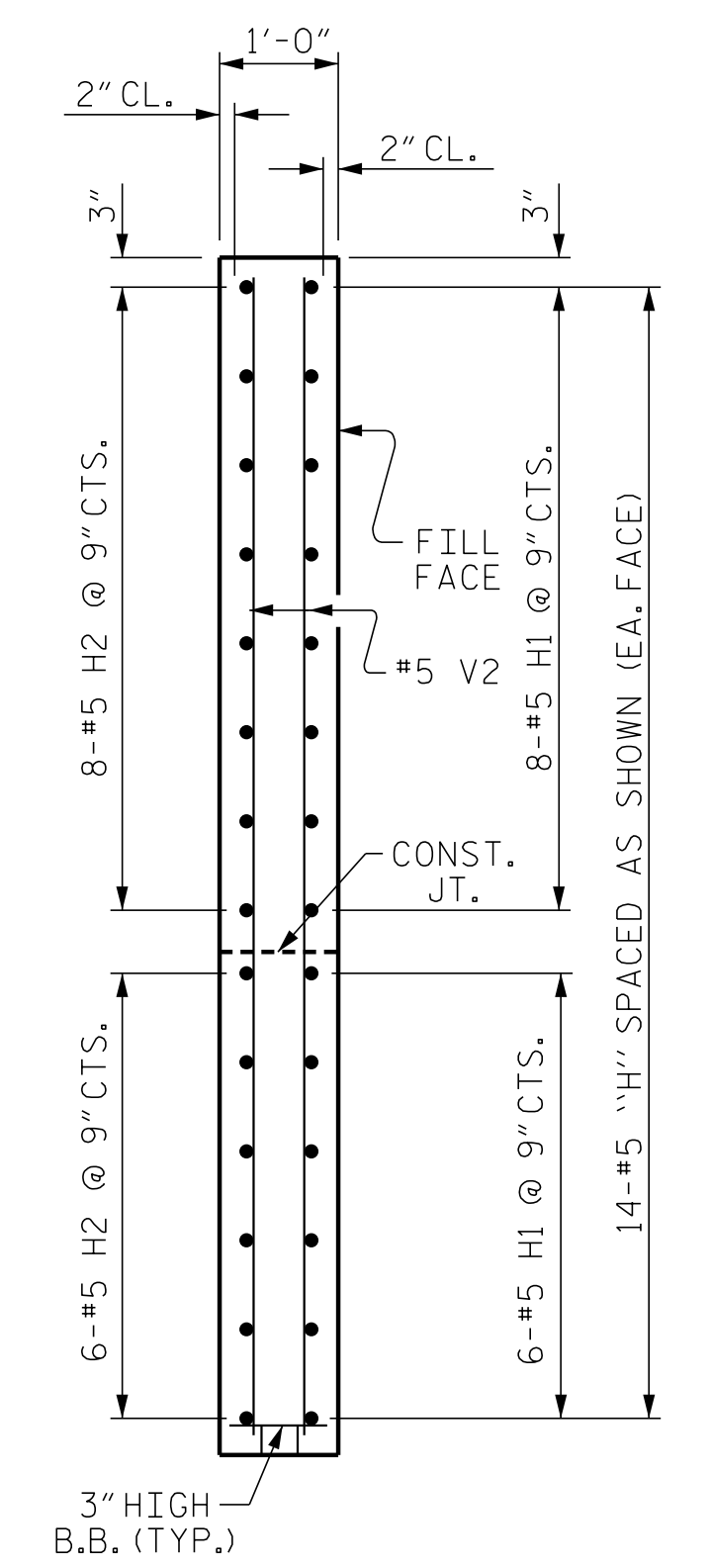


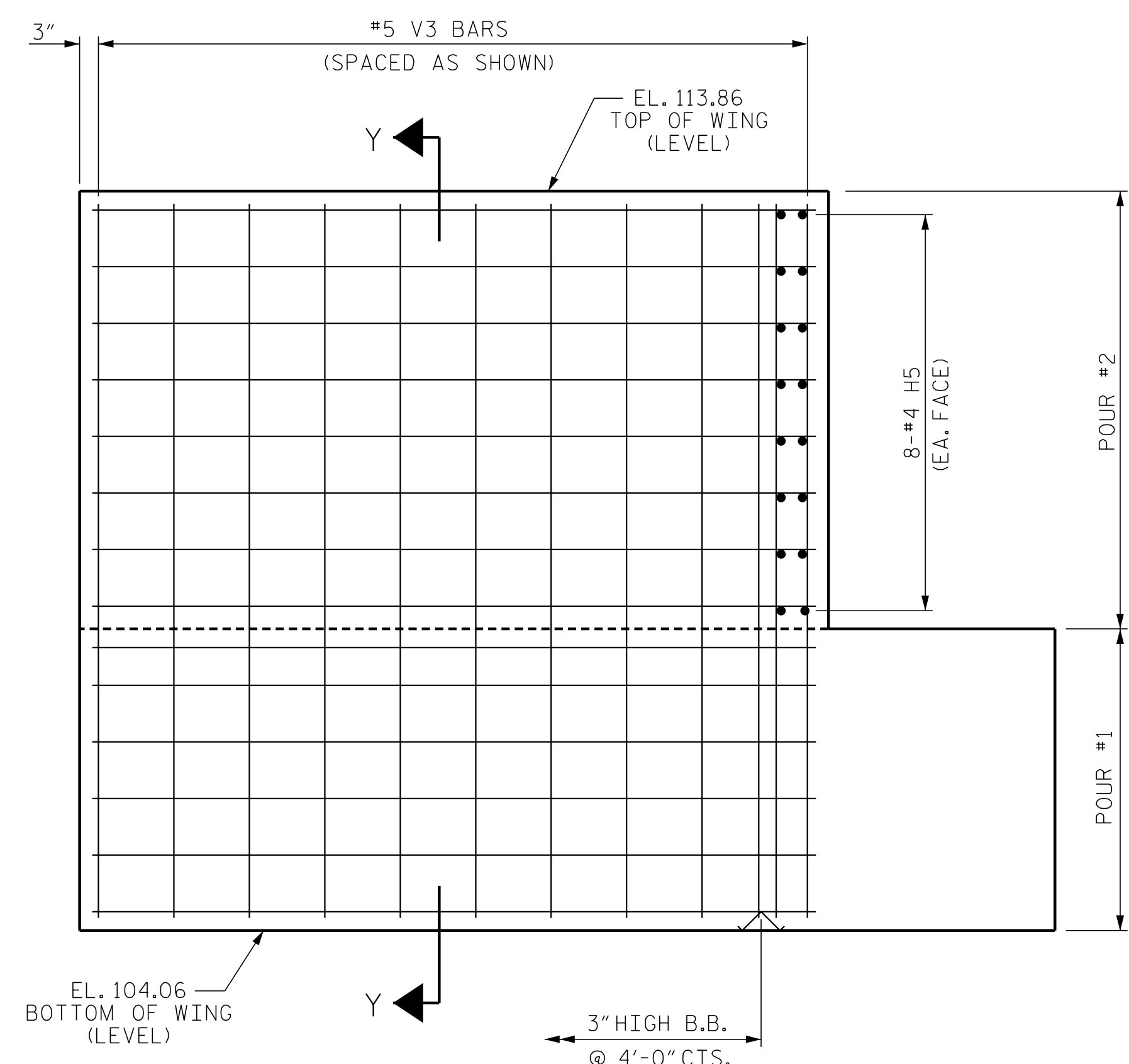
PLAN OF WING - (W2)



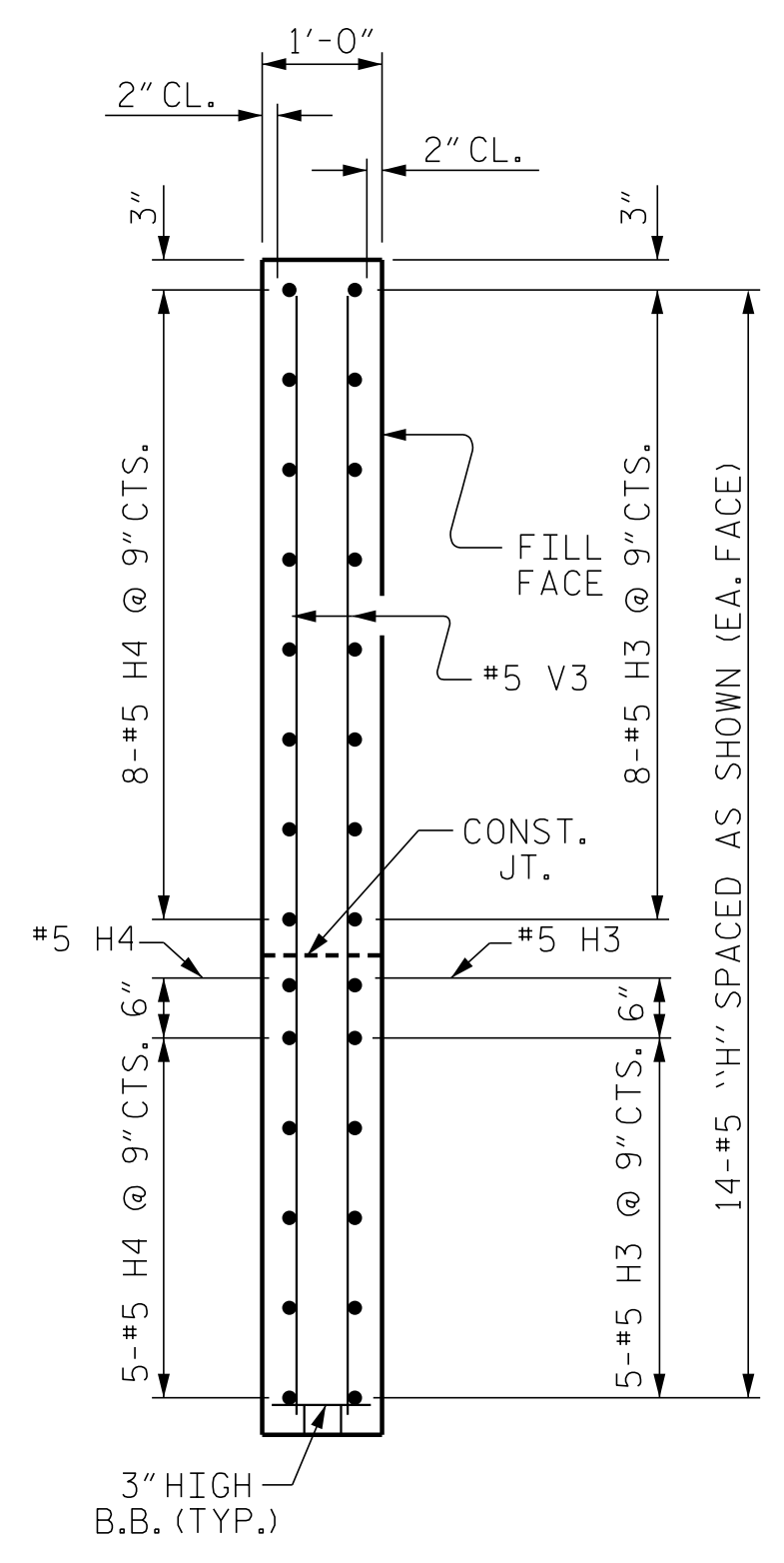
PLAN OF WING - (W1)



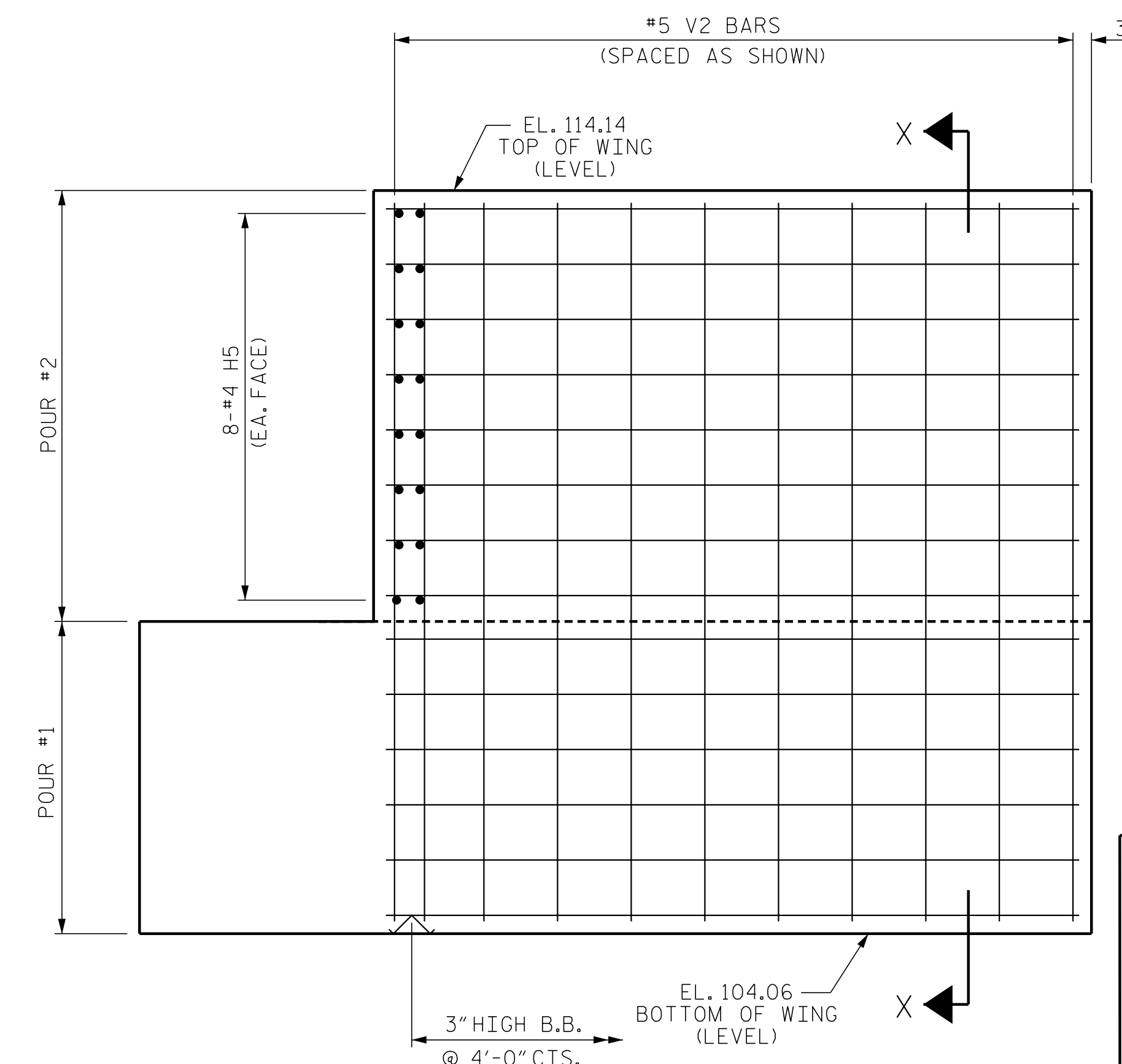
SECTION X-X



ELEVATION OF WING - (W2)

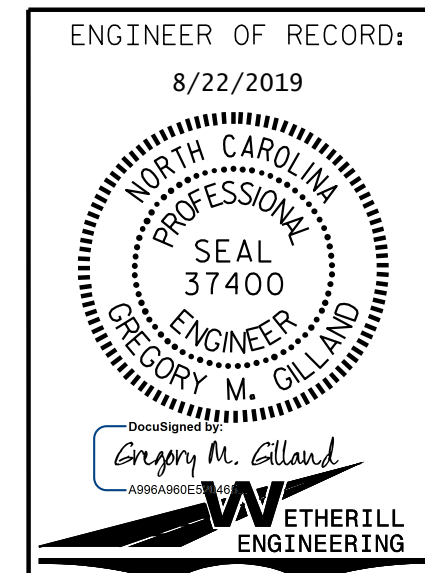


SECTION Y-Y



ELEVATION OF WING - (W1)

PROJECT NO. R-5797  
 COLUMBUS COUNTY  
 STATION: 30+65.33 -Y1B-  
 SHEET 2 OF 3



STATE OF NORTH CAROLINA DEPARTMENT OF TRANSPORTATION RALEIGH					
SUBSTRUCTURE END BENT No. 2					
REVISIONS					
NO.	BY:	DATE:	NO.	BY:	DATE:
1			3		
2			4		

SHEET NO.  
S-28  
TOTAL SHEETS  
33

DRAWN BY: D. HODGE DATE: 2/19  
 CHECKED BY: B.C. HUNT DATE: 2/19

DOCUMENT NOT CONSIDERED FINAL  
 UNLESS ALL SIGNATURES COMPLETED

P:\2017\1718601-R-5797 Structures\06NR5797-SMU\_EB.dgn  
 8/21/2019 1:44:08 PM