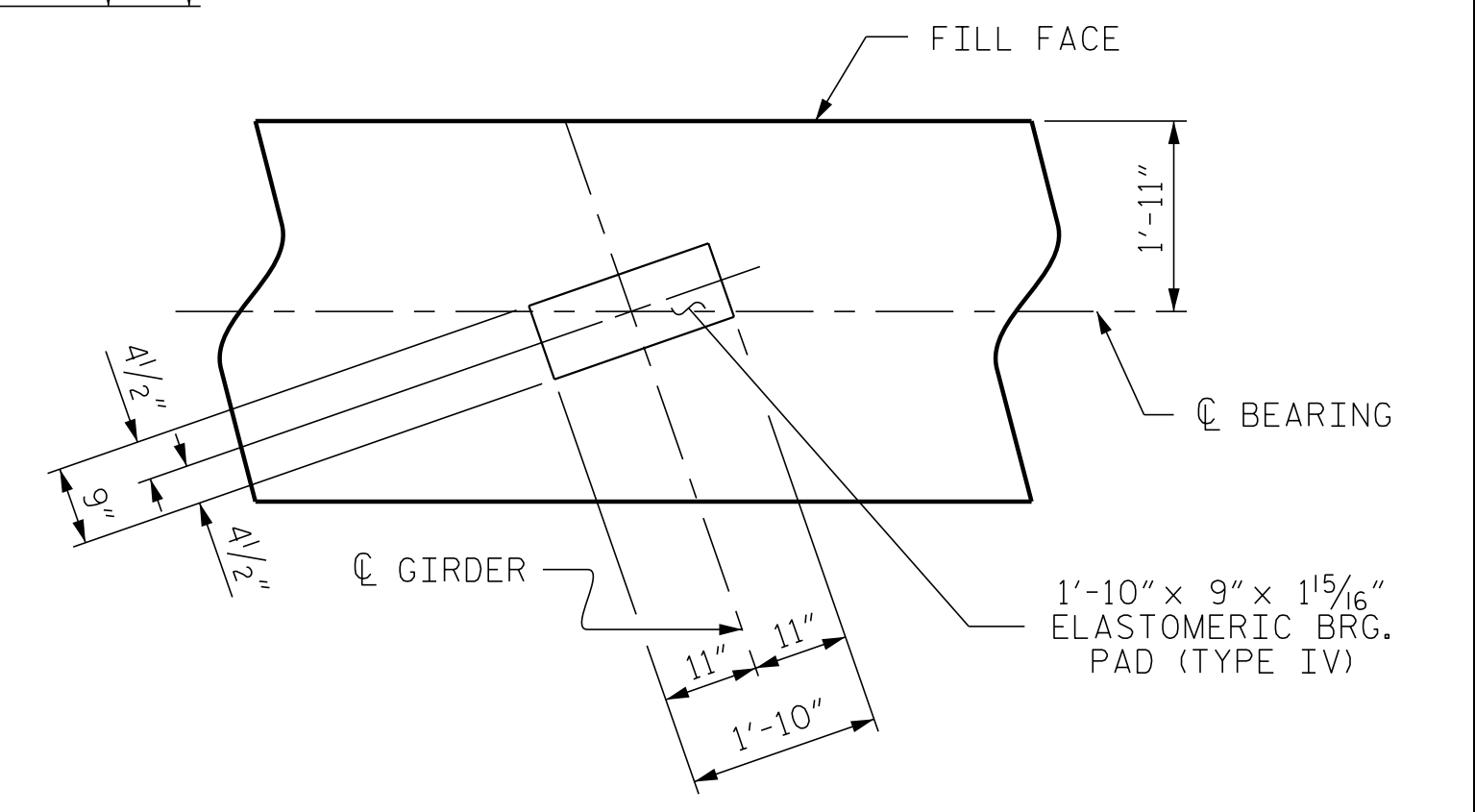


PLAN

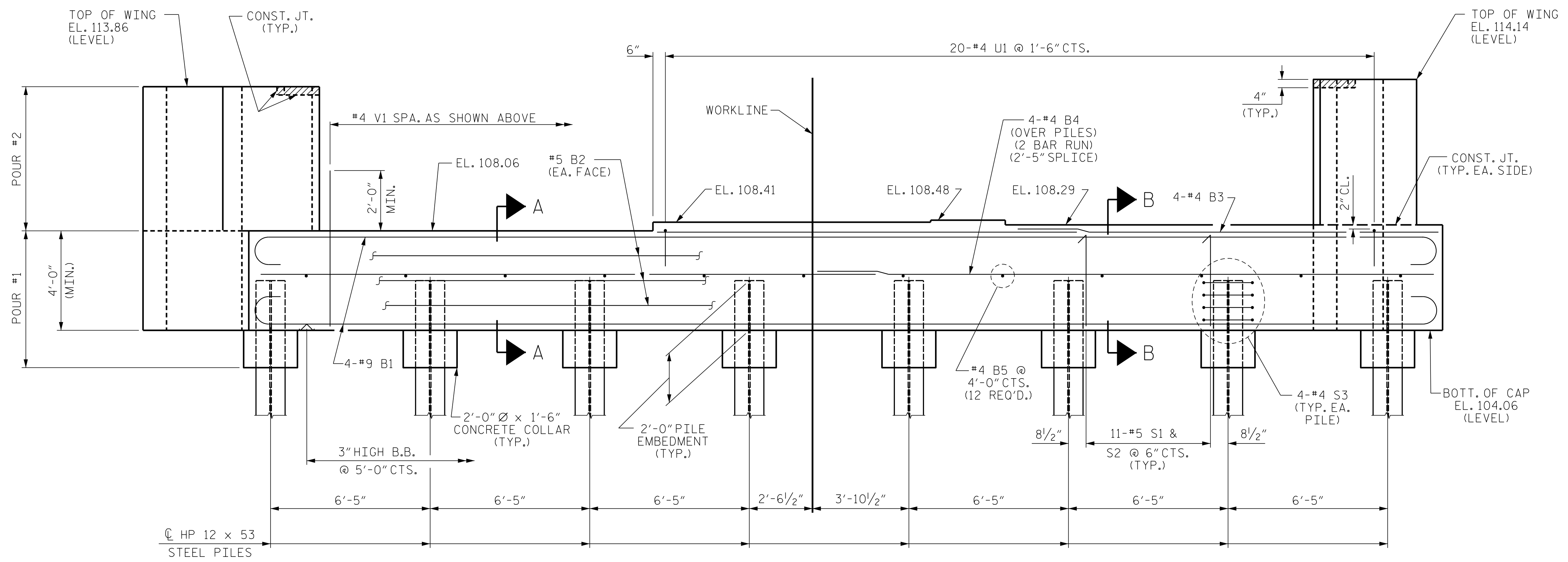
**NOTES**

THE CONCRETE IN THE SHADED AREA OF THE WING SHALL BE POURED AFTER THE PARAPETS ARE CAST IF SLIP FORMING IS USED.

THE TOP SURFACE OF THE END BENT CAP, EXCEPT THE BEARING AREA AND THE AREA OUTSIDE THE EDGE OF SUPERSTRUCTURE, SHALL BE RAKED TO A DEPTH OF 1/4".

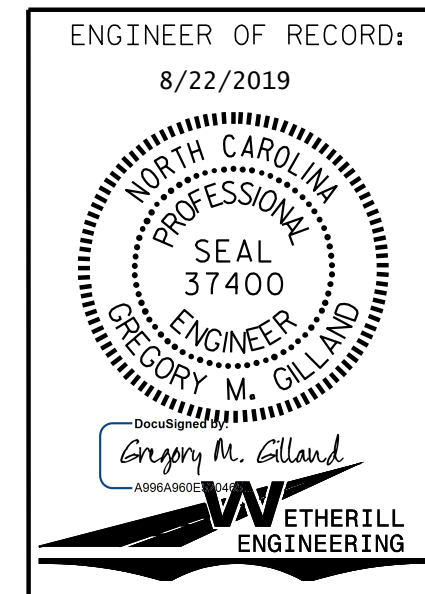


DETAIL "A"



ELEVATION

PROJECT NO. R-5797  
COLUMBUS COUNTY  
 STATION: 30+65.33 -Y1B-  
 SHEET 1 OF 3



STATE OF NORTH CAROLINA  
 DEPARTMENT OF TRANSPORTATION  
 RALEIGH

SUBSTRUCTURE  
 END BENT No. 2

REVISIONS						SHEET NO.
NO.	BY:	DATE:	NO.	BY:	DATE:	S-27
1			3			TOTAL SHEETS
2			4			33

DRAWN BY: D. HODGE DATE: 1/19  
 CHECKED BY: B.C. HUNT DATE: 2/19

FOR SECTION A-A AND B-B, SEE SHEET 3 OF 3.

DOCUMENT NOT CONSIDERED FINAL  
 UNLESS ALL SIGNATURES COMPLETED

P:\2017\17186501-R-5797-Structures\06NR5797-SMJ\_EB.dgn  
 8/21/2019 1:43:45 PM