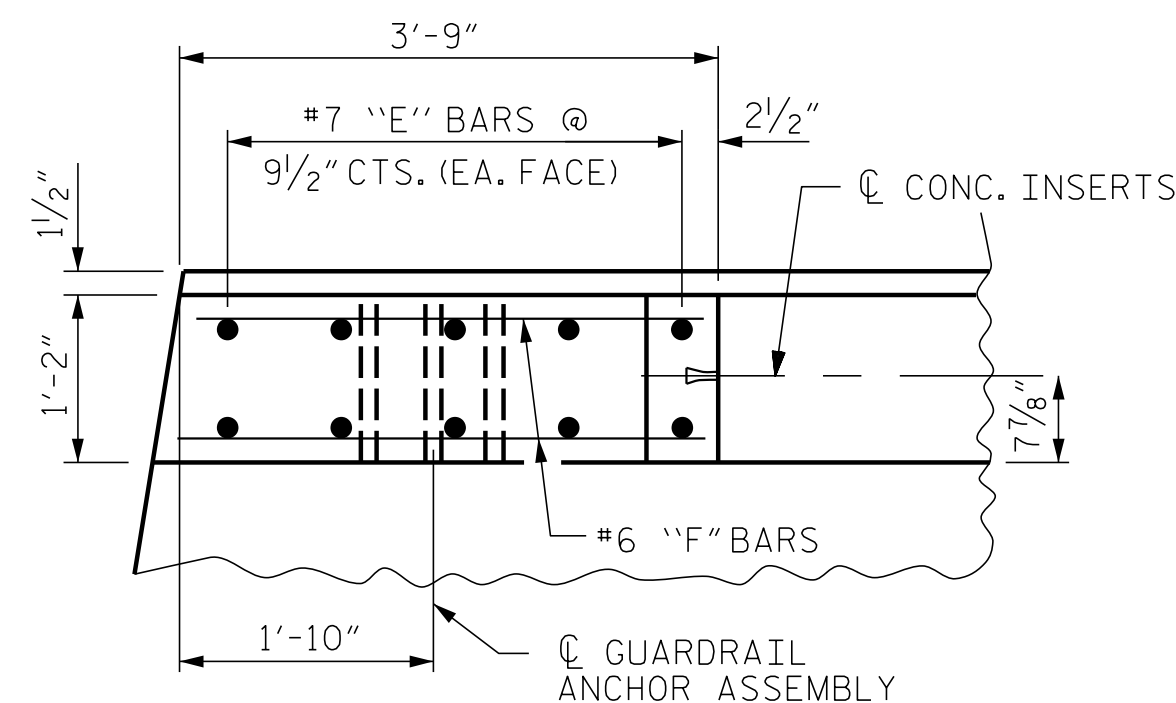
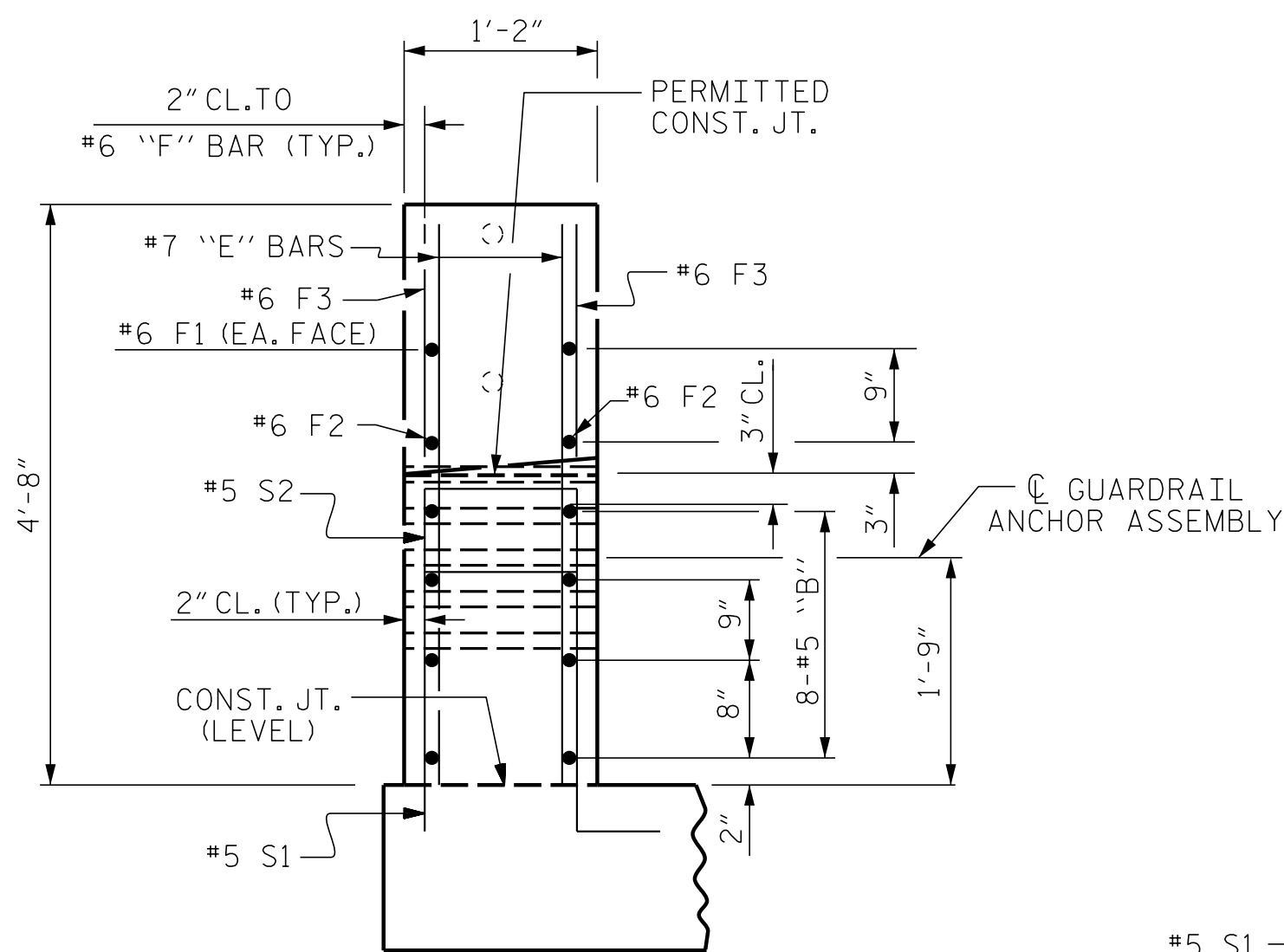


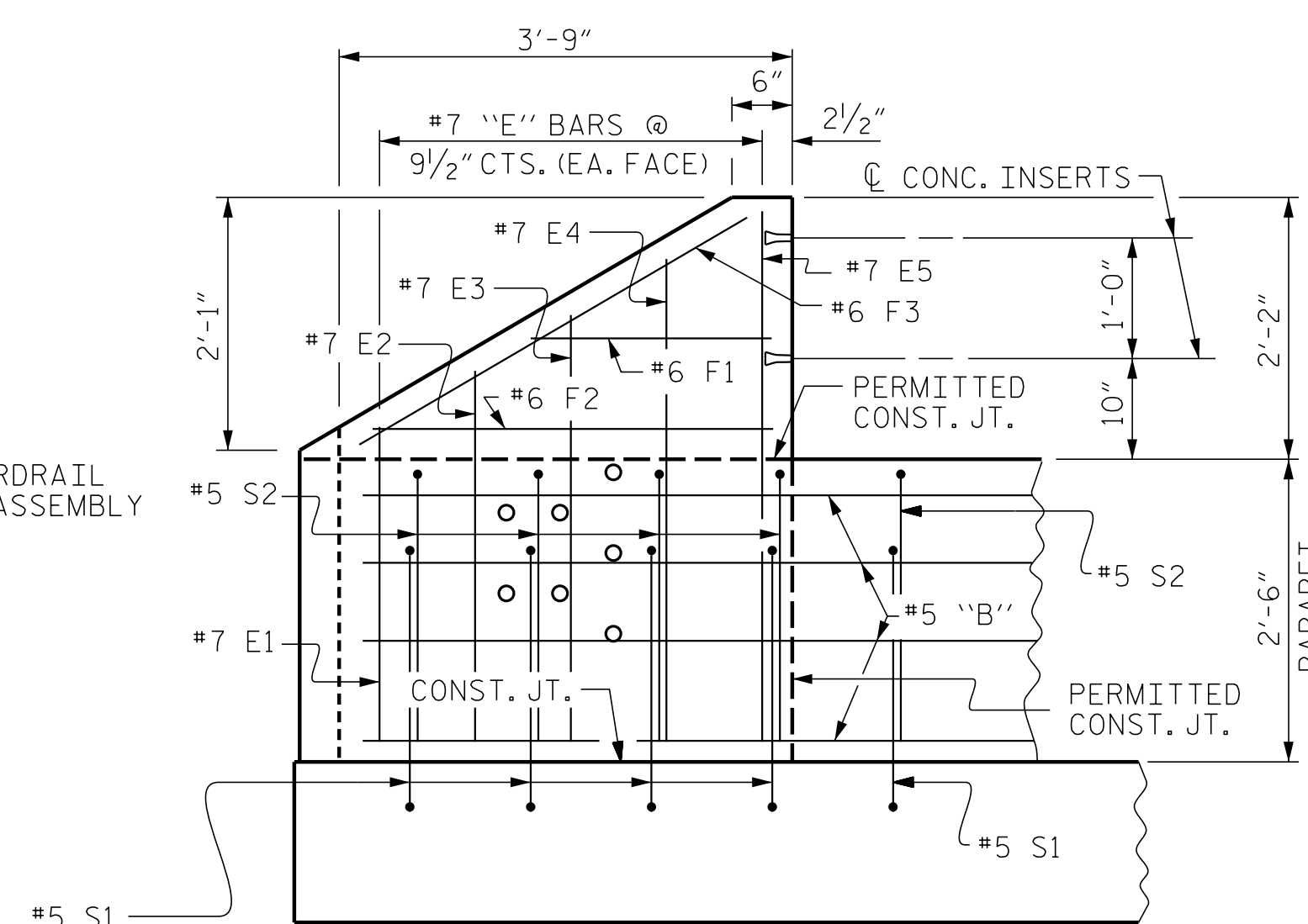
PLAN OF PARAPET



PLAN OF END POST

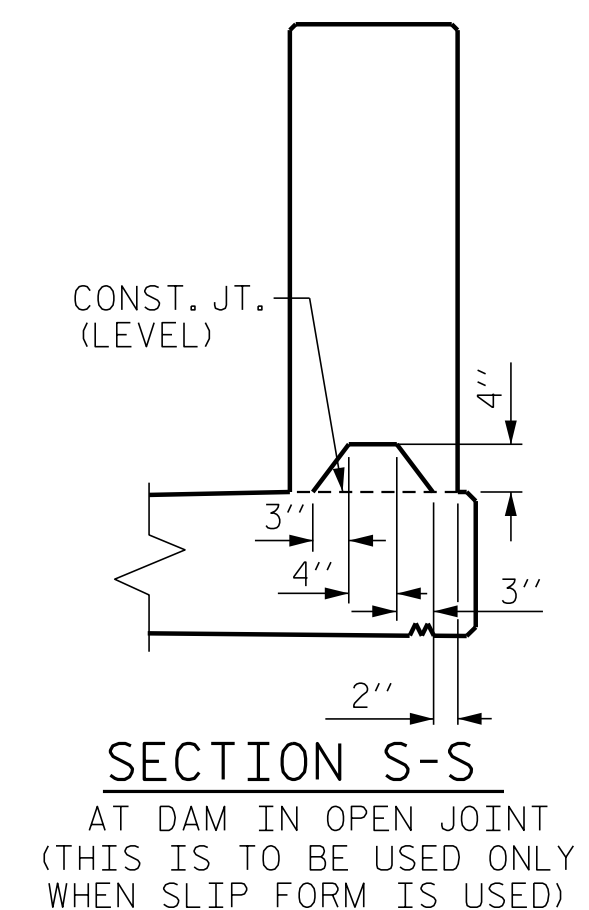


END VIEW



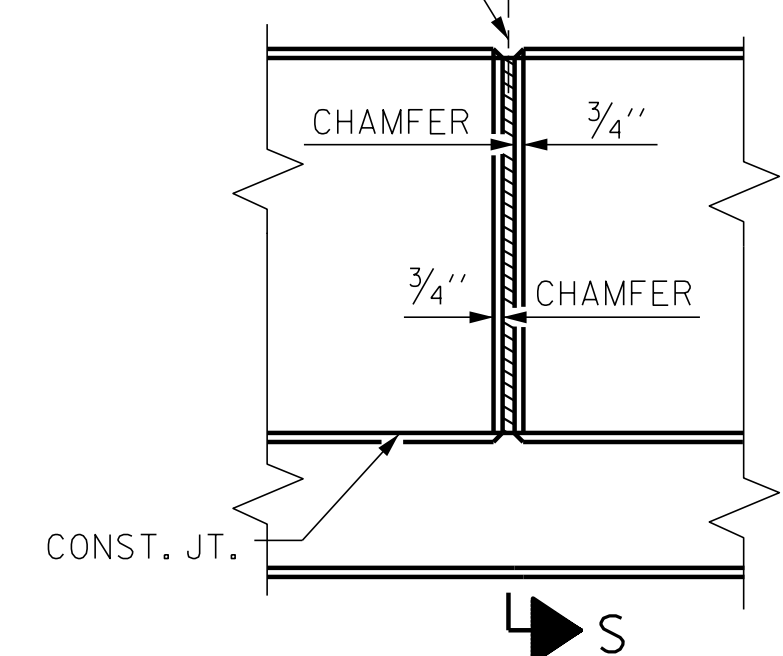
ELEVATION

BAR TYPE		BILL OF MATERIAL FOR PARAPETS AND 4 END POSTS					
BAR NO.	SIZE	TYPE	LENGTH	WEIGHT			
* B1	32	#5	STR	23'-10"	795		
* B2	96	#5	STR	24'-7"	2461		
* E1	8	#7	STR	2'-6"	41		
* E2	8	#7	STR	3'-0"	49		
* E3	8	#7	STR	3'-6"	57		
* E4	8	#7	STR	4'-0"	65		
* E5	8	#7	STR	4'-4"	71		
* F1	8	#6	STR	1'-10"	22		
* F2	8	#6	STR	3'-0"	36		
* F3	8	#6	STR	3'-4"	40		
* S1	398	#5	1	5'-5"	2249		
* S2	398	#5	2	5'-6"	2283		
					* EPOXY COATED REINFORCING STEEL	8,169 LBS.	
					CLASS "AA" CONCRETE	43.8 C.Y.	
					1'-2" x 2'-6" CONCRETE PARAPET	397.47 L.F.	



SECTION S-S  
AT DAM IN OPEN JOINT  
(THIS IS TO BE USED ONLY WHEN SLIP FORM IS USED)

1/2" EXP. JT. MAT'L HELD IN PLACE WITH GALVANIZED NAILS.  
(NOTE: OMIT EXP. JT. MAT'L WHEN SLIP FORM IS USED.)



ELEVATION AT JOINTS IN PARAPET

PARAPET AND END POST FOR TWO BAR RAIL

FOR GUARDRAIL ANCHORAGE DETAILS AND LOCATION, SEE "GUARDRAIL ANCHORAGE DETAILS FOR METAL RAILS" SHEET.

PROJECT NO. R-5797  
COLUMBUS COUNTY  
STATION: 30+65.33 -Y1B-  
SHEET 2 OF 2

ENGINEER OF RECORD:  
8/22/2019  
NORTH CAROLINA PROFESSIONAL SEAL 37400  
ENGINEER  
GREGORY M. GILLAND  
GREGORY M. GILLAND  
WETHERILL ENGINEERING  
1223 Jones Franklin Rd.  
Raleigh, N.C. 27606  
Bus: 919 851 8077  
Fax: 919 851 8107  
LICENSE NO. F-0377

STATE OF NORTH CAROLINA  
DEPARTMENT OF TRANSPORTATION  
RALEIGH  
1'-2" x 2'-6"  
CONCRETE PARAPET  
FOR  
2 BAR METAL RAIL

REVISIONS						SHEET NO.
NO.	BY:	DATE:	NO.	BY:	DATE:	S-16
1			3			TOTAL SHEETS
2			4			33

DRAWN BY: D. HODGE DATE: 1/19  
CHECKED BY: G.M. GILLAND DATE: 1/19

DOCUMENT NOT CONSIDERED FINAL  
UNLESS ALL SIGNATURES COMPLETED

P:\2017\17186\01-R-5797-Structures\DWG\NR5797-SMU\_PARA.dgn  
 8/22/2019 1:36:58 PM