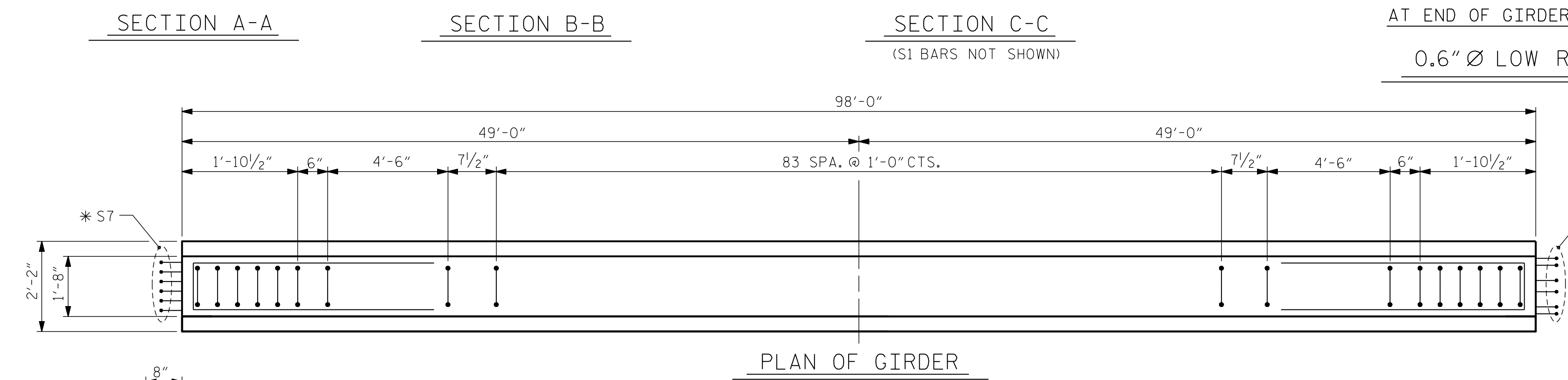
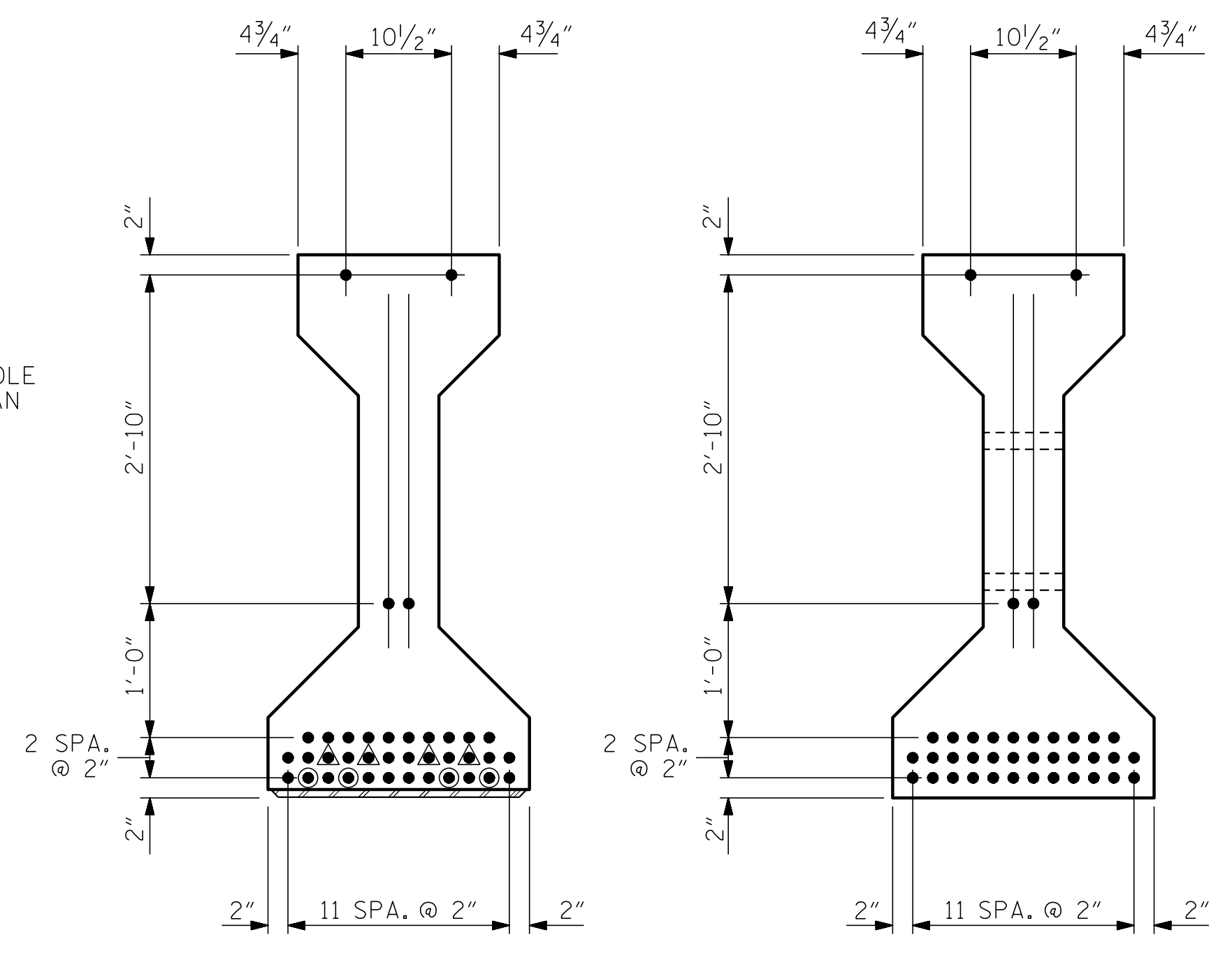
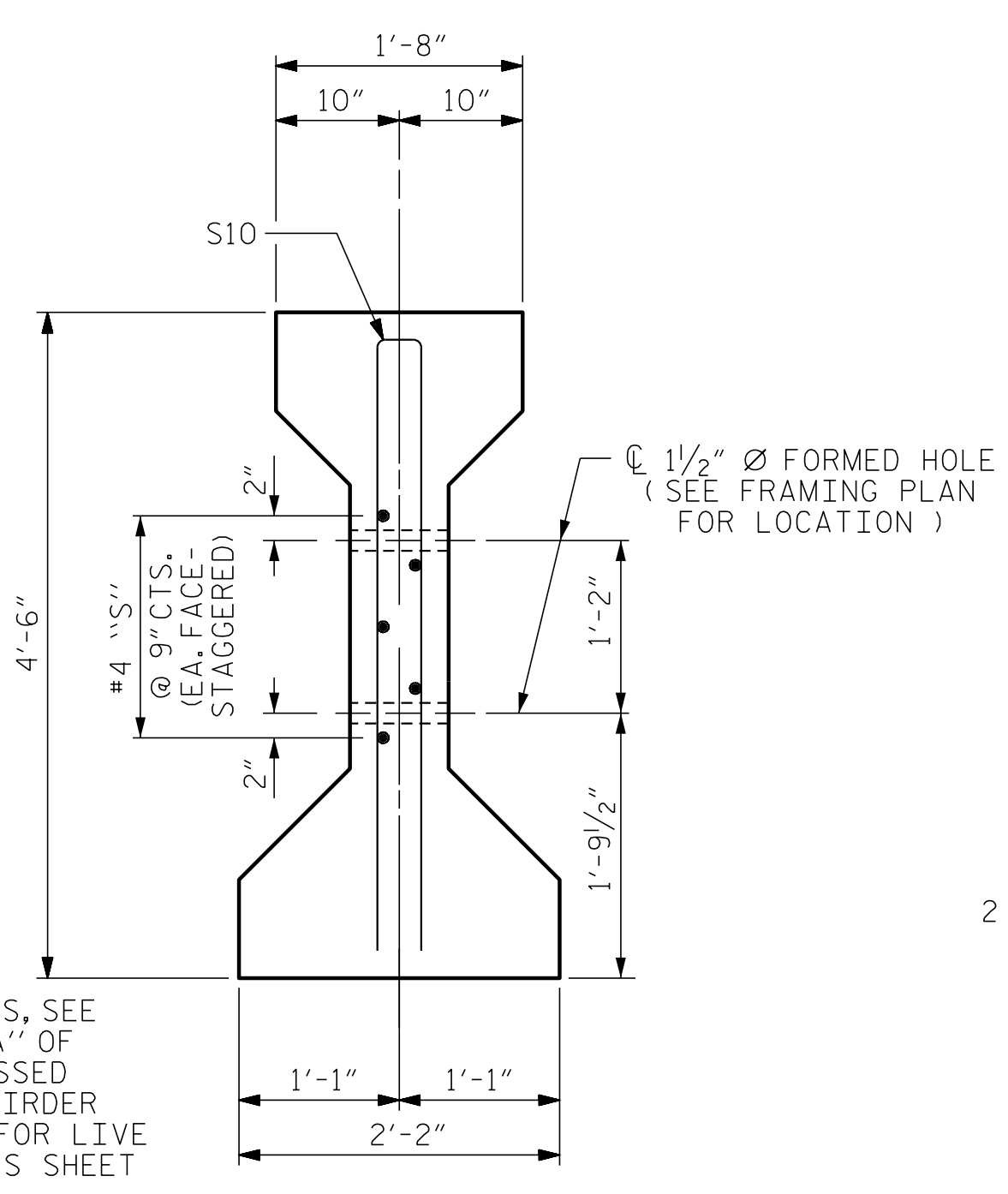
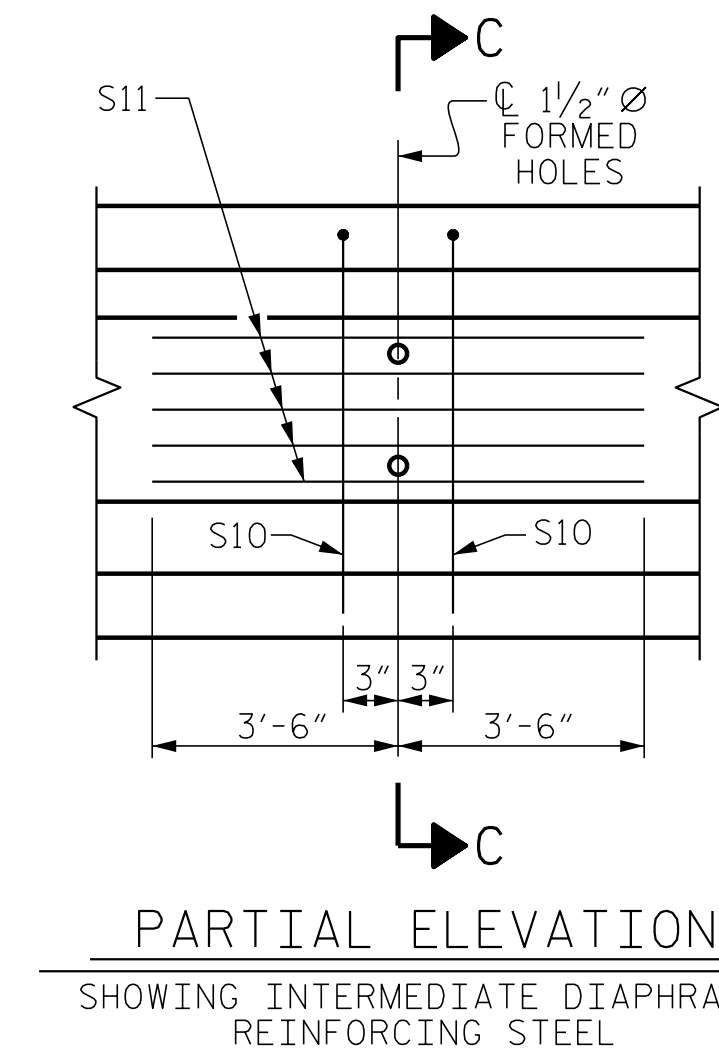
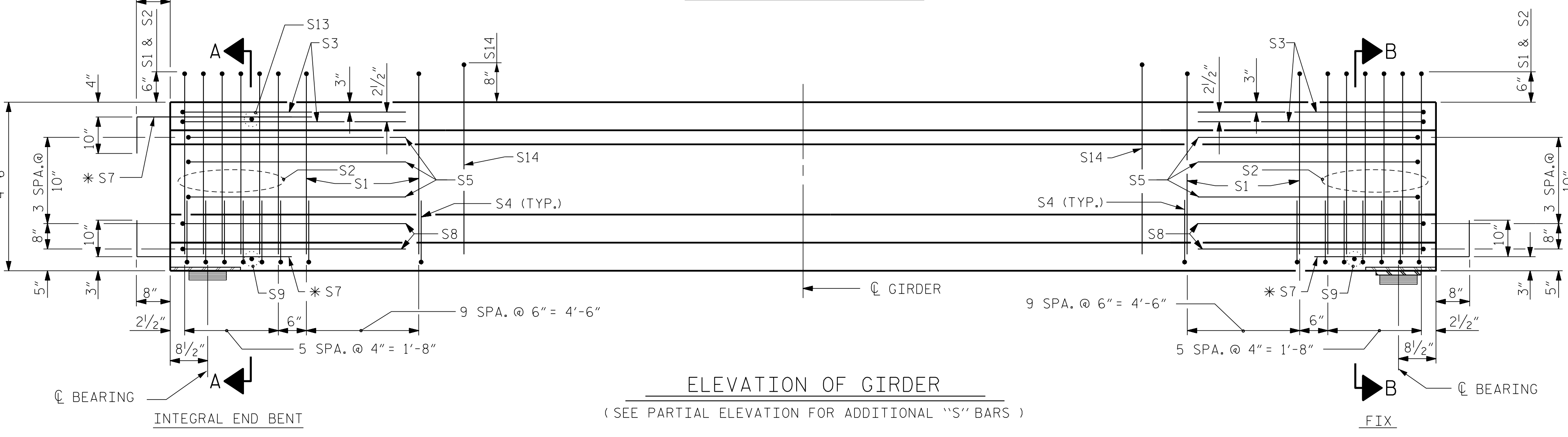


\* FOR S7 BARS, SEE DETAIL "A" OF PRESTRESSED CONCRETE GIRDER CONTINUOUS FOR LIVE LOAD DETAILS SHEET



- ▲ DEBONDING LENGTH = 6'-0"
- DEBONDING LENGTH = 10'-0"

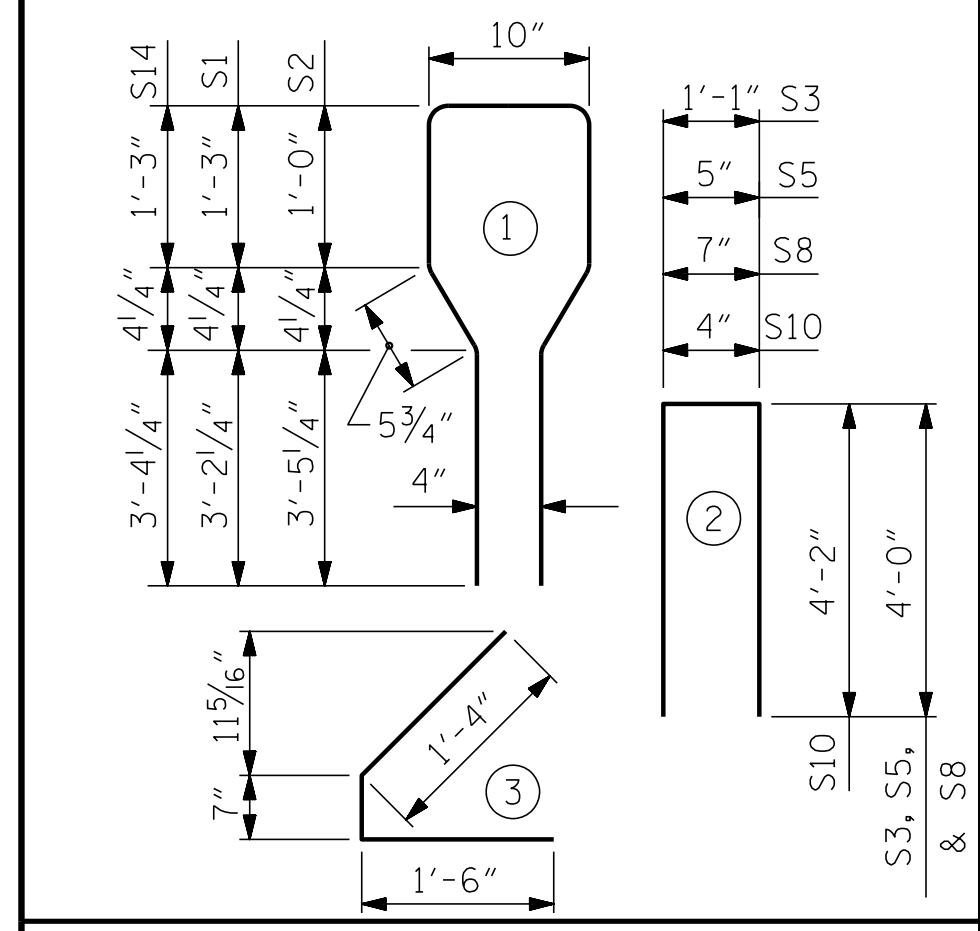


0.6" Ø L. R. GRADE 270 STRANDS		
AREA (SQUARE INCHES)	ULTIMATE STRENGTH (LBS. PER STRAND)	APPLIED PRESTRESS (LBS. PER STRAND)
0.217	58,600	43,950

REINFORCING STEEL FOR ONE GIRDER					
BAR	NUMBER	SIZE	TYPE	LENGTH	WEIGHT
S1	20	#4	1	10'-8"	143
S2	12	#6	1	10'-8"	192
S3	4	#4	2	9'-1"	24
S4	64	#4	3	3'-5"	146
S5	6	#4	2	8'-5"	34
* S7	18	#5	STR	3'-8"	69
S8	4	#4	2	8'-7"	23
S9	2	#3	STR	1'-10"	1
S10	2	#5	2	8'-8"	18
S11	5	#4	STR	7'-0"	23
S13	1	#3	STR	1'-4"	1
S14	84	#4	1	11'-0"	617

\* NOTE: S7 BARS SHALL BE BENT BEFORE SHIPMENT. HEAT BENDING SHALL NOT BE ALLOWED.

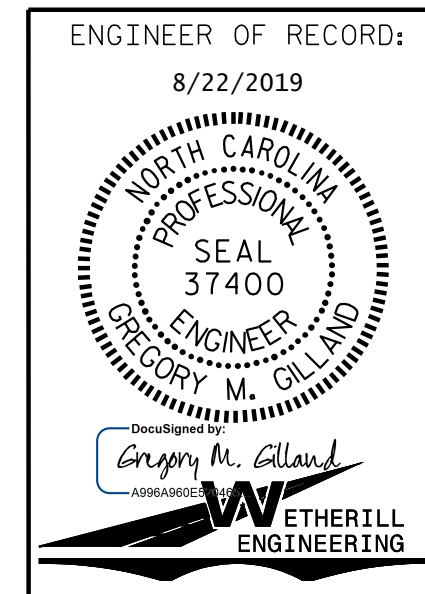
**BAR TYPES**  
ALL BAR DIMENSIONS ARE OUT-TO-OUT



QUANTITIES FOR ONE GIRDER			
REINFORCING STEEL	8000 PSI CONCRETE	0.6" Ø L. R. STRANDS	
LB.	C.Y.	No.	
1,291	19.9	38	

GIRDERS REQUIRED		
NUMBER	LENGTH	TOTAL LENGTH
4	98'-0"	392'-0"

PROJECT NO. R-5797  
COLUMBUS COUNTY  
 STATION: 30+65.33 -Y1B-



STATE OF NORTH CAROLINA  
 DEPARTMENT OF TRANSPORTATION  
 RALEIGH  
 STANDARD  
 AASHTO TYPE IV  
 PRESTRESSED CONCRETE GIRDER  
 CONTINUOUS FOR LIVE LOAD  
 (SPAN A)

REVISIONS					
NO.	BY:	DATE:	NO.	BY:	DATE:
1			3		
2			4		

ASSEMBLED BY : D. HODGE	DATE : 1/19
CHECKED BY : G.M. GILLAND	DATE : 1/19
DRAWN BY : ELR 8/91	REV. 10/1/11 MAA/CM
CHECKED BY : GRP 8/91	REV. 1/15 MAA/TMG
	REV. 12/17 MAA/THC

DOCUMENT NOT CONSIDERED FINAL  
 UNLESS ALL SIGNATURES COMPLETED

1223 Jones Franklin Rd.  
 Raleigh, N.C. 27606  
 Bus: 919 851 8077  
 Fax: 919 851 8107  
 LICENSE NO. F-0377