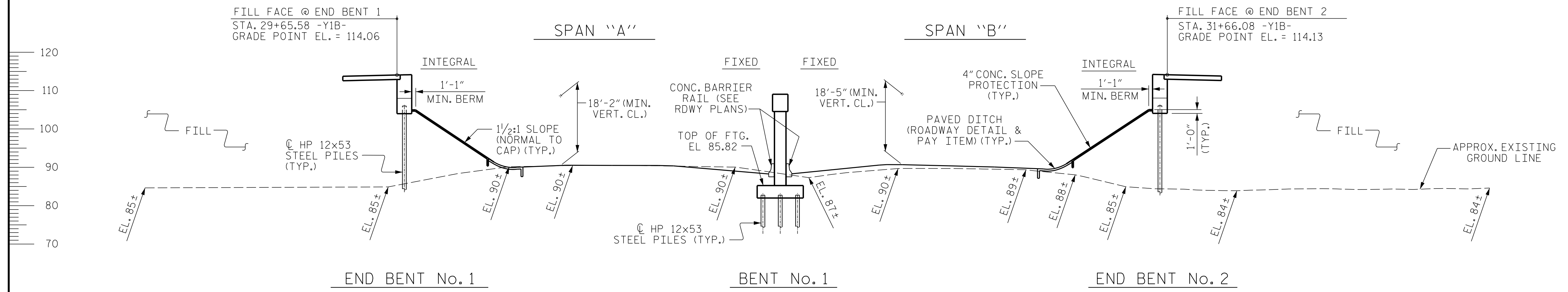


29+00 +50 30+00 +50 31+00 +50 32+00 +50

3.0810% -3.2713%
 PI = 30+71.73 -Y1B-
 EL. = 117.50
 VC = 290.00'
 GRADE DATA -Y1B-

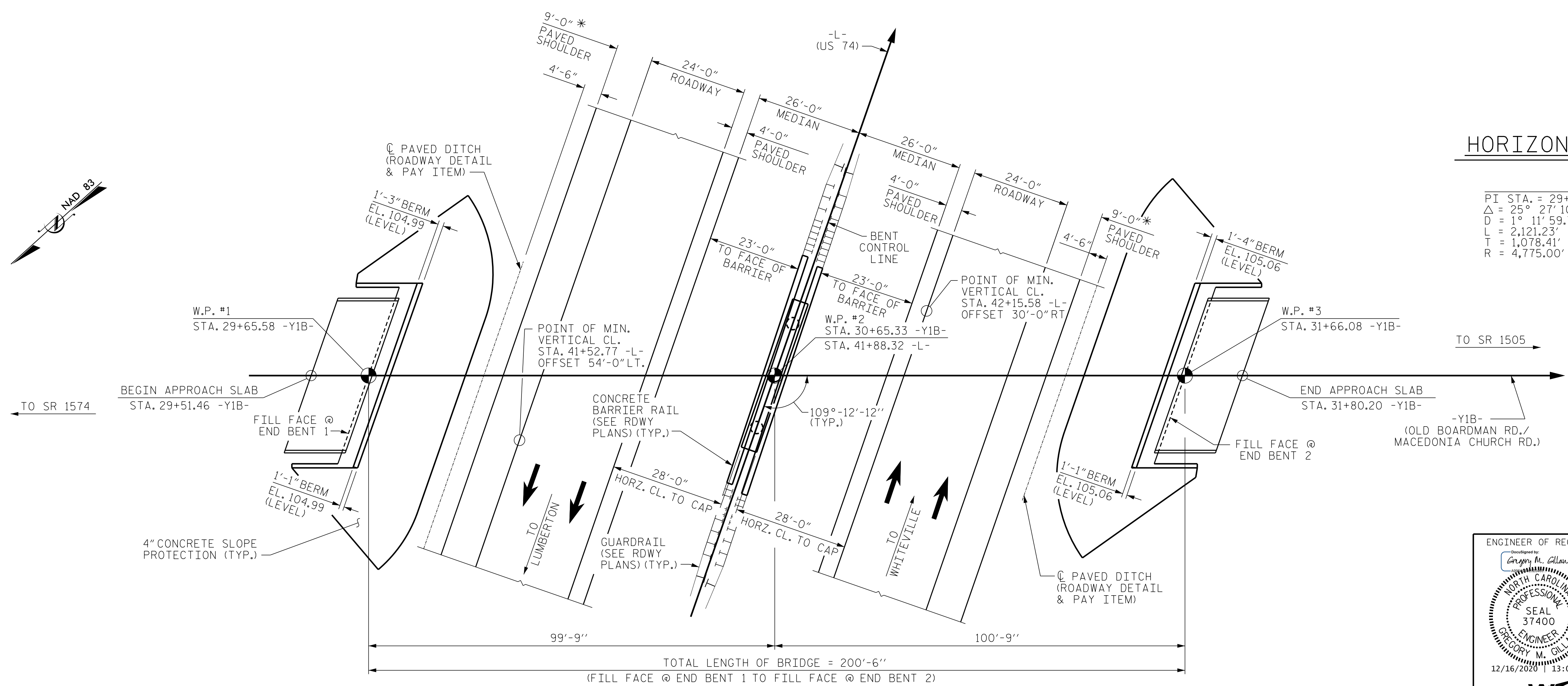


SECTION ALONG -Y1B-

(SECTIONS AT END BENTS AND BENT TAKEN AT RIGHT ANGLES)

HORIZONTAL CURVE DATA

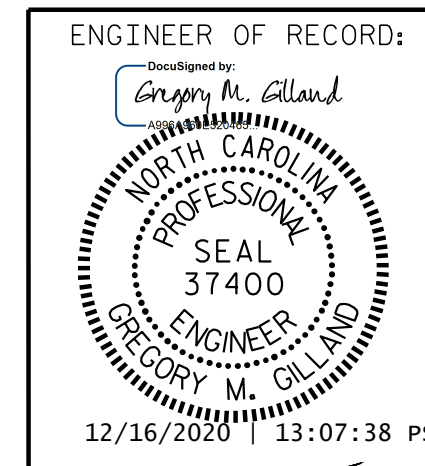
-L-
 PI STA. = 29+19.57 PIs STA. = 40+45.73
 Δ = 25° 27' 10.4" (RT) Θ_s = 1° 29' 59.6"
 D = 1° 11' 59.7" Ls = 250.00'
 L = 2,121.23' LT = 166.67'
 T = 1,078.41' ST = 83.34'
 R = 4,775.00'



PLAN

* PAVED SHOULDER WIDTH AT BRIDGE
 (FOOTINGS AND PILES NOT SHOWN IN PLAN VIEW)

PROJECT NO. R-5797
 COLUMBUS COUNTY
 STATION: 30+65.33 -Y1B-
 41+88.32 -L-
 SHEET 1 OF 3 BRIDGE No. 0420



STATE OF NORTH CAROLINA
 DEPARTMENT OF TRANSPORTATION
 RALEIGH
 GENERAL DRAWING
 BRIDGE ON SR 1506
 (OLD BOARDMAN RD./MACEDONIA CHURCH RD.) OVER US 74
 BETWEEN SR 1574 AND SR 1505

REVISIONS						SHEET NO.
NO.	BY:	DATE:	NO.	BY:	DATE:	S-1
1			3			TOTAL SHEETS
2			4			33

DOCUMENT NOT CONSIDERED FINAL
 UNLESS ALL SIGNATURES COMPLETED

DRAWN BY: D. HODGE DATE: 4/19
 CHECKED BY: G.M. GILLAND DATE: 4/19

1223 Jones Franklin Rd.
 Raleigh, N.C. 27606
 Bus: 919 851 8077
 Fax: 919 851 8107
 LICENSE NO. F-0377

P:\2017\17186501-R-5797-Structures\DWG\NR5797-SMU_GD 1.dgn
 12/16/2020 2:38:22 PM