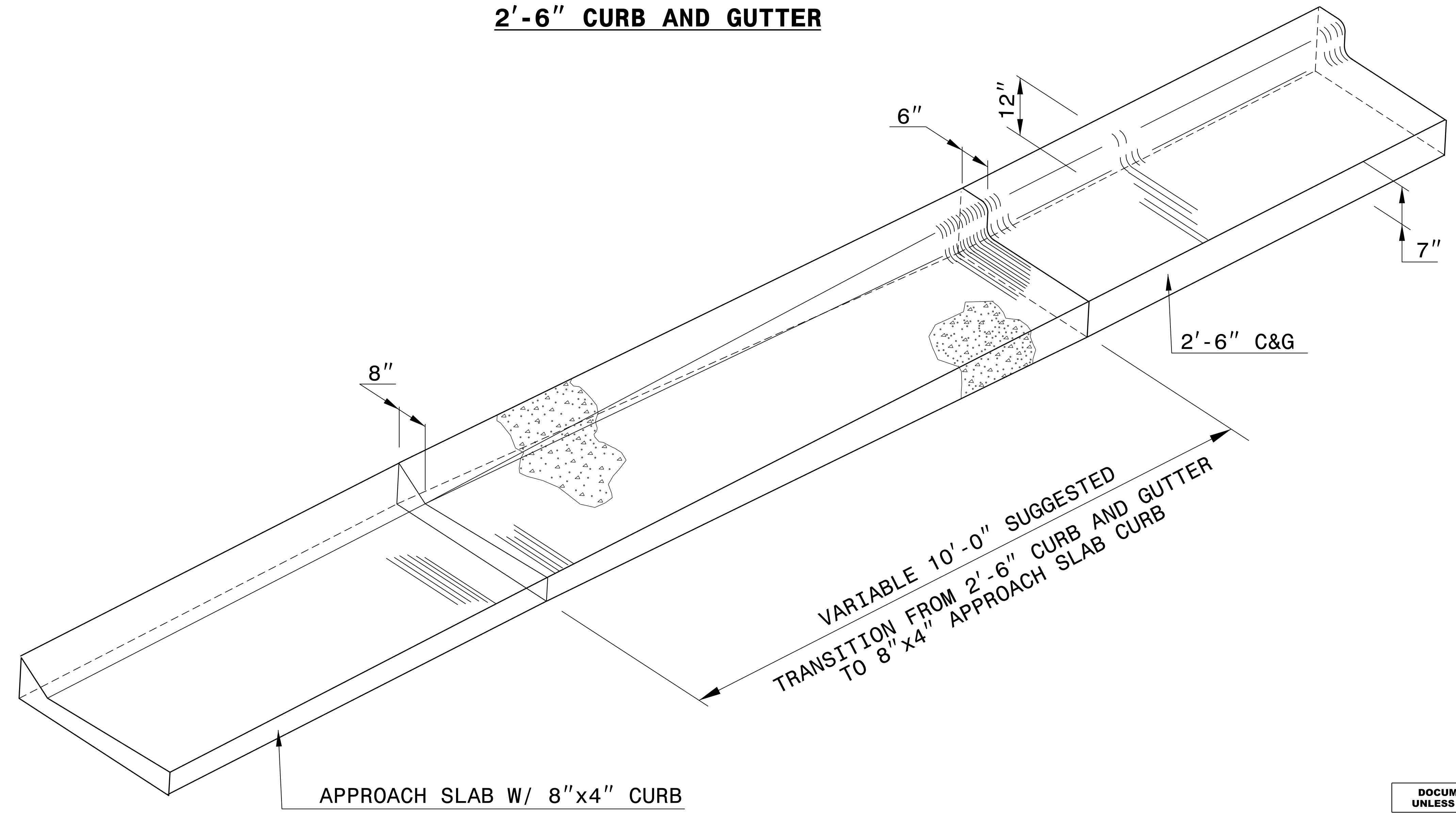


*NOTE: SEE STD. DWG. 846.01 FOR GENERAL NOTES



ISOMETRIC VIEW OF TRANSITION

1/5/2021 | 11:39:01 EST



DOCUMENT NOT CONSIDERED FINAL UNLESS ALL SIGNATURES COMPLETED

CONTRACT STANDARDS AND DEVELOPMENT UNIT
Office 919-707-6950 FAX 919-250-4119

DETAIL OF 2'-6" CURB & GUTTER TO 8"x4" APPROACH SLAB CURB TRANSITION SECTION

| | |
|--|---------------|
| ORIGINAL BY: E.E. WARD | DATE: 5-29-02 |
| MODIFIED BY: | DATE: |
| CHECKED BY: | DATE: |
| FILE SPEC.: /usr/details/stand/cgtransit.dgn | |

08-JAN-2020 09:26 S:\Contracts\Contractors\Special Details\vericard\usr\details\stand\c&g transition sections.dgn JHowerton AT USD-320965

5/14/99