

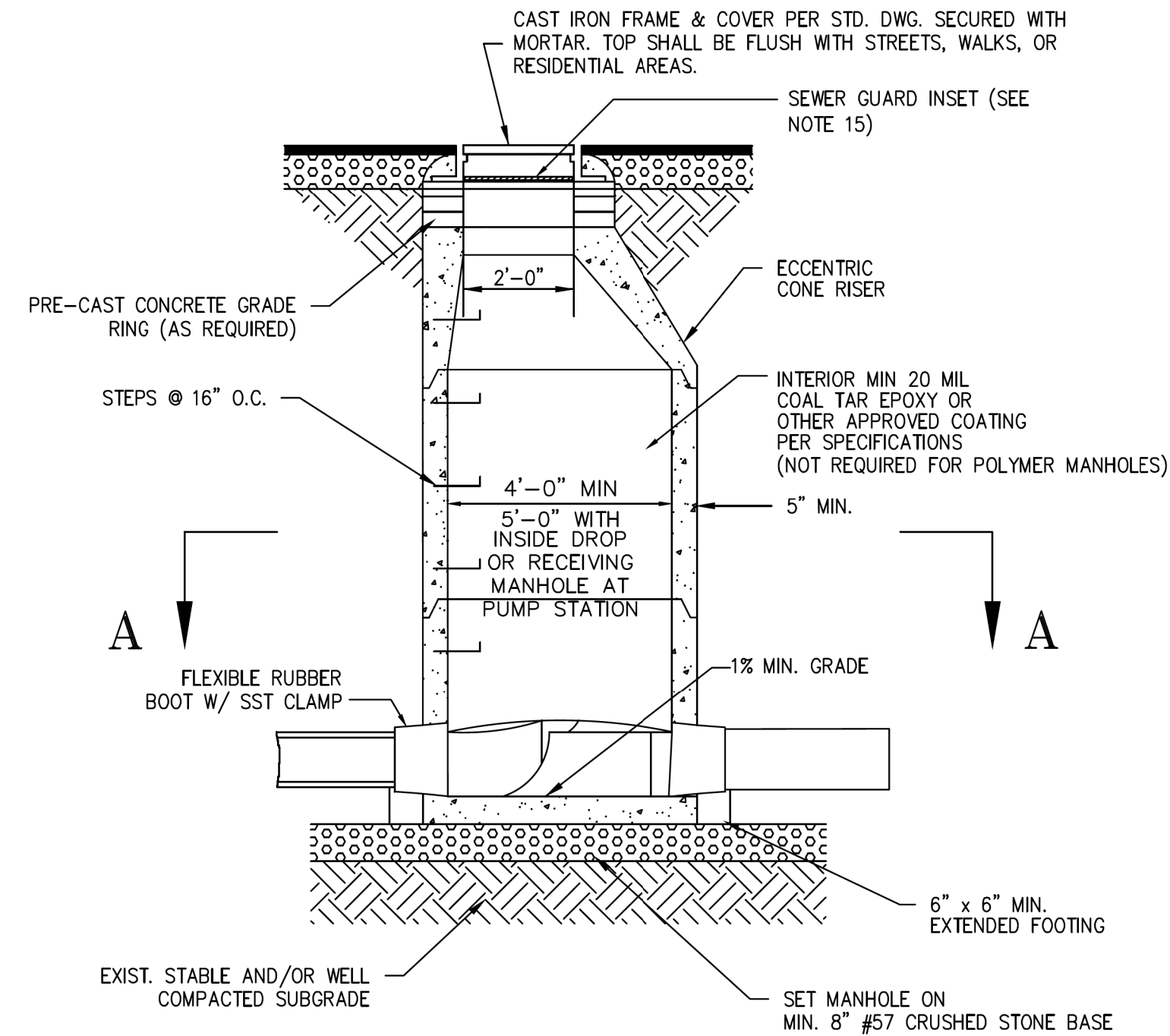
5/14/99

GENERAL SEWER DETAILS

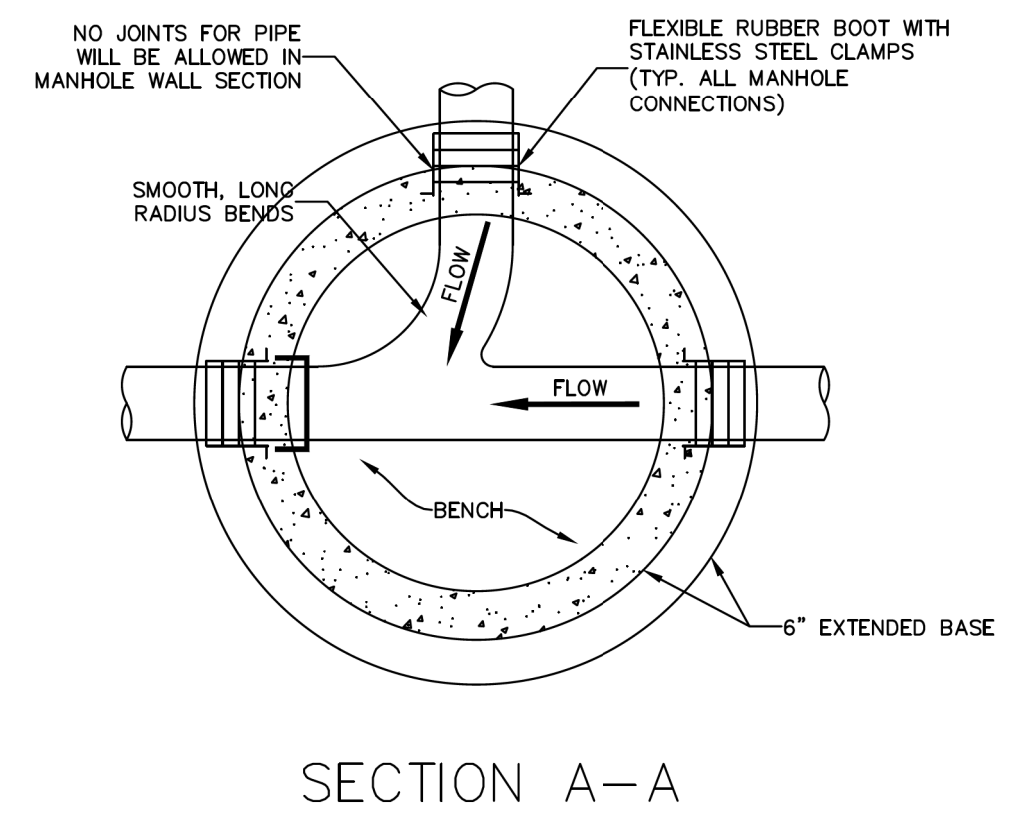
PROJECT REFERENCE NO. <i>R-5020B</i>	SHEET NO. <i>UC-3D</i>
DESIGNED BY: <i>DK</i>	
DRAWN BY: <i>AP</i>	
CHECKED BY: <i>MM</i>	
APPROVED BY:	
REVISED:	
NORTH CAROLINA DEPARTMENT OF TRANSPORTATION UTILITIES ENGINEERING SEC. PHONE: (919) 707-6690 FAX: (919) 250-4151	
UTILITY CONSTRUCTION PLANS ONLY Engineers • Planners • Scientists • Construction Managers 4509 Falls of Neuse Road, Suite 400 Raleigh, NC 27609 Phone (919) 783-9214 • Fax (919) 783-9266 License No. C-764	

NOTES:

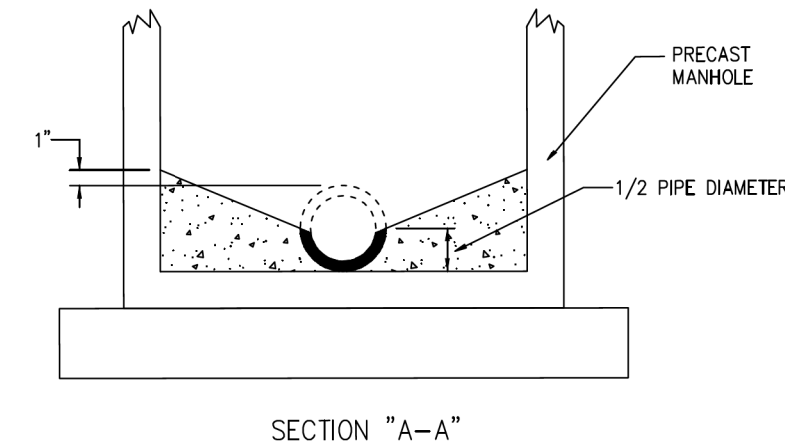
1. PRECAST CONCRETE MANHOLES SHALL MEET OR EXCEED THE REQUIREMENTS OF ASTM C 478. ALL SURFACES SHALL BE SMOOTH AND EVEN TEXTURED WITH A MINIMUM OF HONEYCOMB, FIN, AND OTHER IMPERFECTIONS.
2. JOINTS BETWEEN MANHOLE SECTIONS SHALL BE SEALED WATER-TIGHT USING EITHER O-RING GASKETS CONFORMING WITH ASTM C 443 OR BUTYL RESIN CONFORMING WITH AASHTO M-198.
3. EXTERIOR JOINTS SHALL BE SEALED WITH A 4" WIDE BUTYL RUBBER WRAP.
4. NOT USED
5. HOLES FOR CONNECTION OF PIPE TO MANHOLE SHALL BE PRECAST OR CORED. DIAMETER OF HOLE SHALL NOT EXCEED OUTSIDE DIAMETER OF PIPE BY MORE THAN 3 INCHES.
6. CONNECTIONS OF PIPE TO MANHOLE SHALL BE MADE WATER-TIGHT USING RESILIENT CONNECTORS CONFORMING TO ASTM C 923 OR NEOPRENE BOOTS EMBEDDED IN PRECAST BASE WITH STAINLESS STEEL COMPRESSION BANDS.
7. MANHOLE INVERTS SHALL BE INSTALLED USING BRICK AND MORTAR, OR MANHOLES MAY BE PRECAST, MONOLITHIC SECTIONS WITH FORMED INVERTS.
8. LIFT HOLES SHALL BE PLUGGED AND FILLED FLUSH WITH MORTAR.
9. ALL BRICK AND MORTAR SHALL RECEIVE A 1/2" MORTAR PARGE COAT ON INSIDE AND OUTSIDE.
10. ALL SPACE BETWEEN PIPE AND OPENING INSIDE OF MANHOLE TO BE GROUTED WITH TYPE S MORTAR.
11. SEWER MAIN PENETRATIONS AND/OR SERVICE LATERAL PENETRATIONS ENTERING AT 30" OR LESS ABOVE THE MANHOLE BENCH SHALL HAVE A SLIDE CONSTRUCTED OF BRICK AND MORTAR (SEE DETAIL).
12. ALL PENETRATIONS ENTERING MANHOLE AT GREATER THAN 30" SHALL BE AN INSIDE DROP MANHOLE (SEE DETAIL).
13. INSIDE DROP MANHOLES, AND PUMP STATION RECEIVING MANHOLES SHALL BE MINIMUM 5' DIAMETER MANHOLES.
14. SANITARY SEWER MANHOLES SHALL BE COATED WITH COAL TAR EPOXY 20 MILS THROUGHOUT THE INSIDE OF THE MANHOLE.
15. ALL MANHOLES SHALL HAVE A SEWER GUARD INSERT INSTALLED - PLASTIC IS ALLOWED IN NON-TRAFFIC AREAS - STAINLESS STEEL INSERT PANS ARE REQUIRED IN TRAFFIC AREAS
16. MANHOLES SHALL BE TRAFFIC BEARING WITH A MINIMUM HS-20 LOAD ALLOWANCE.



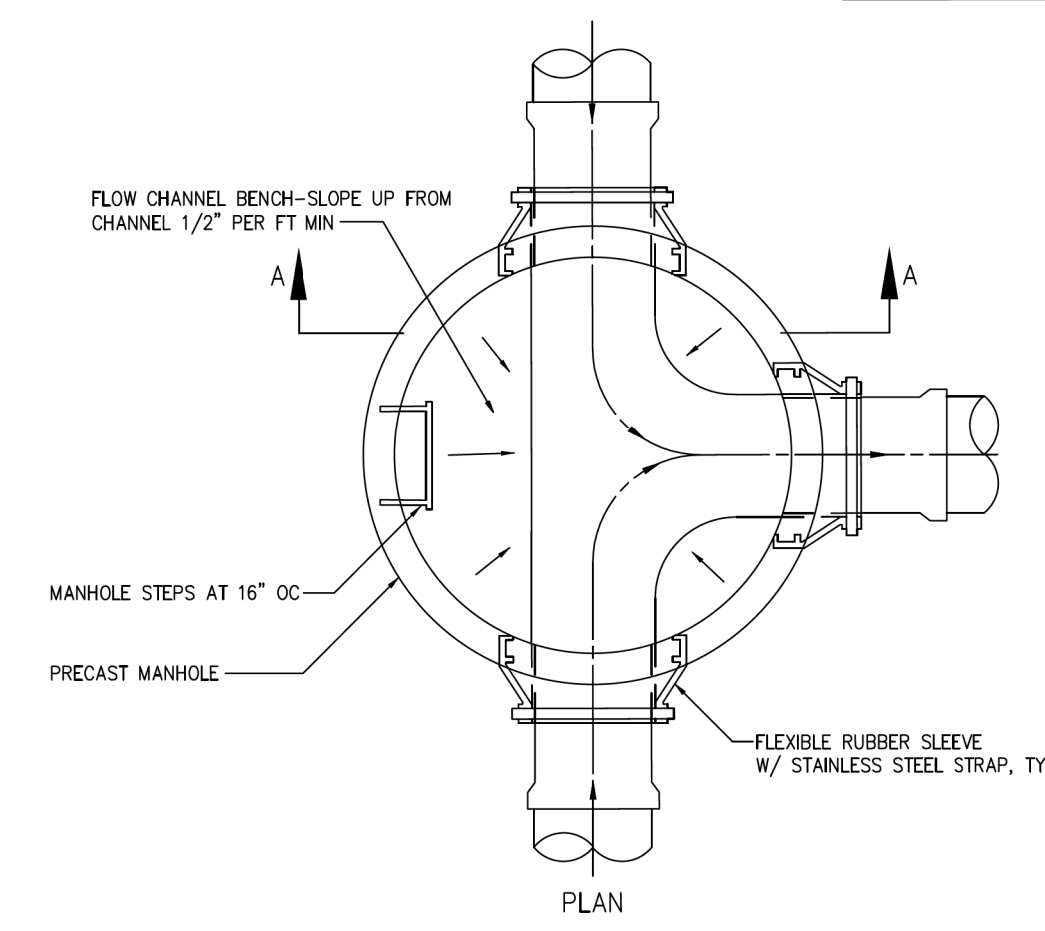
PRECAST CONCRETE MANHOLE
DETAIL S-1



SECTION A-A



SECTION "A-A"



TYPICAL MANHOLE INVERTS
DETAIL S-9

UTILITY CONSTRUCTION
 DOCUMENT NOT CONSIDERED FINAL
 UNLESS ALL SIGNATURES COMPLETED

17 APR 2020 10:01 AM R:\Projects\2020\1800\Utility\Sanitary\Water_Sanitary\R-5020B-ut_UC03A.dtl.dgn