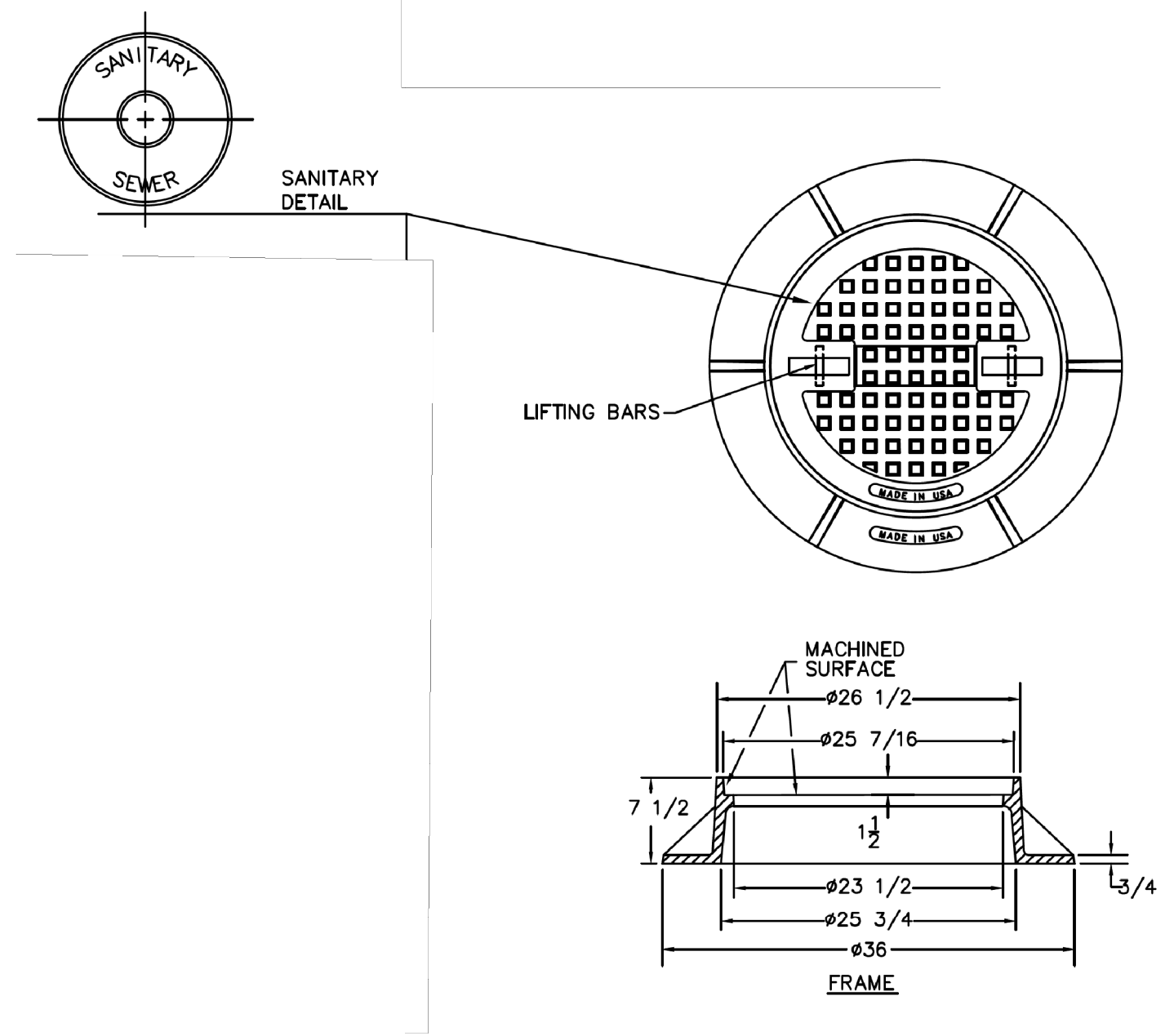
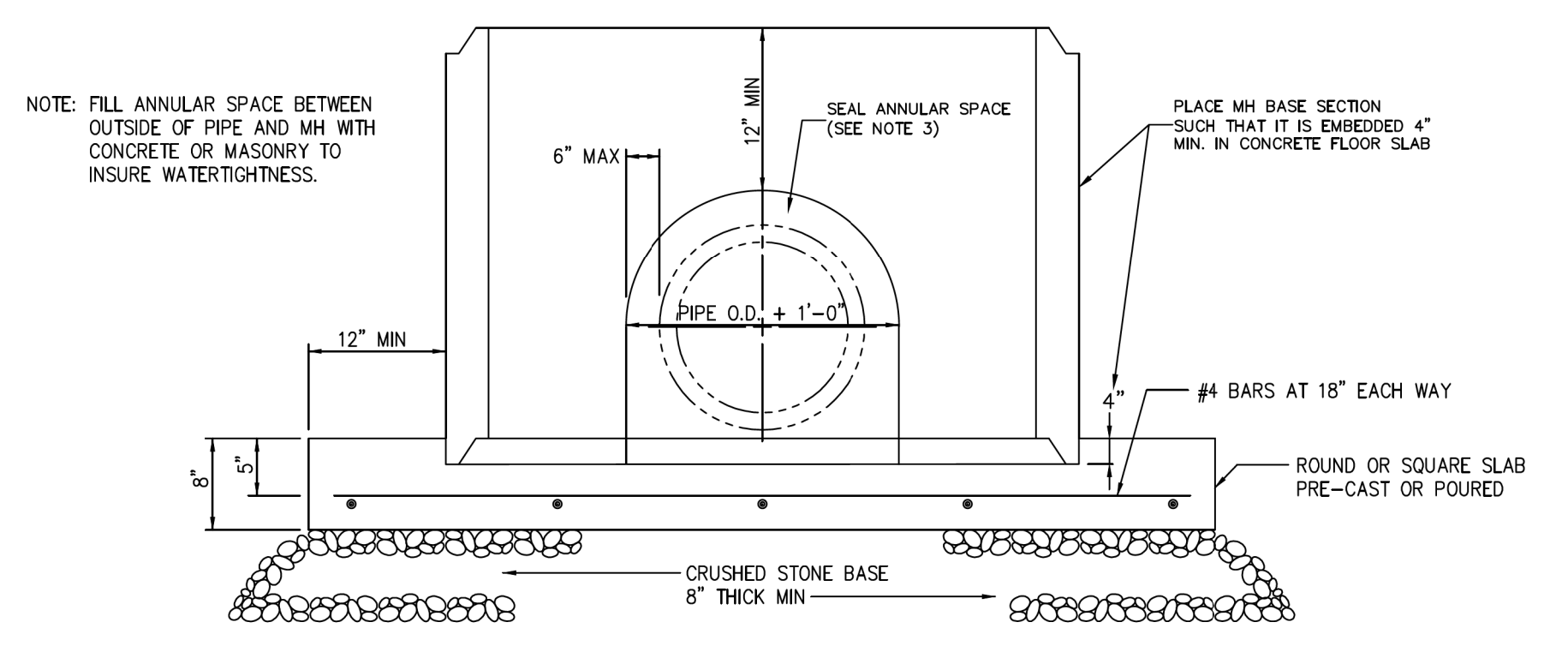
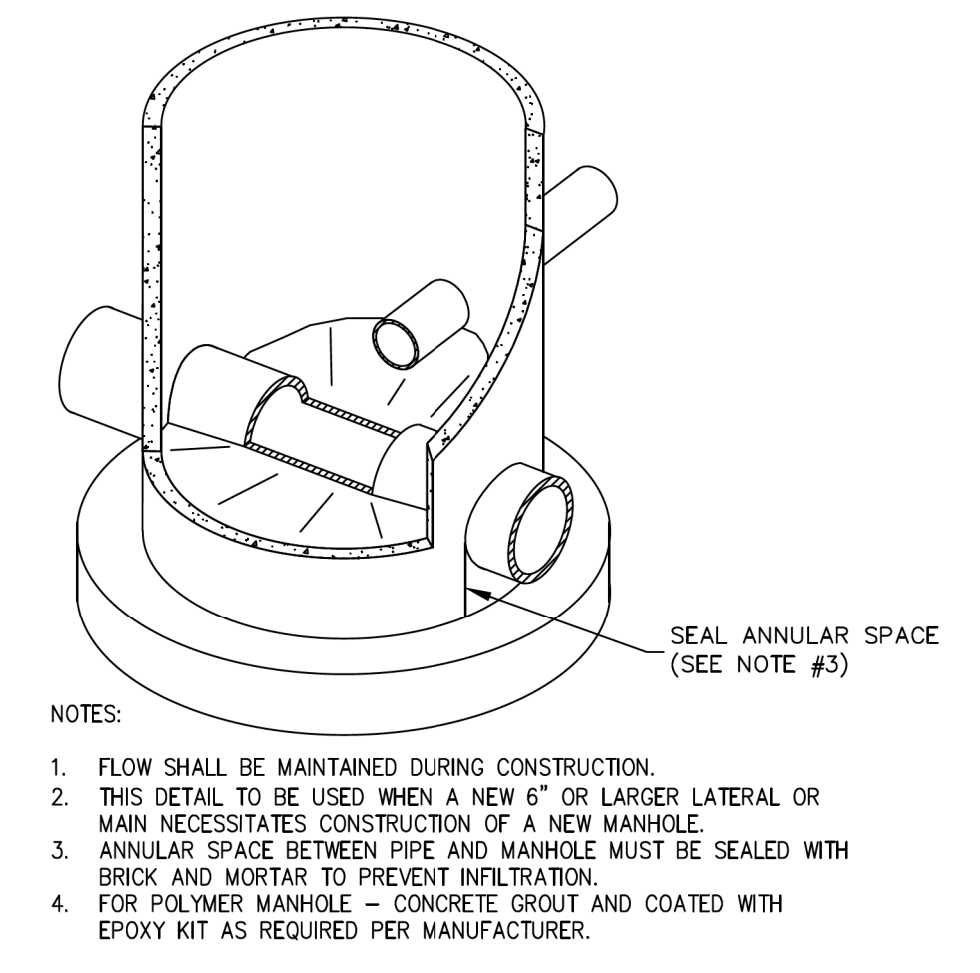
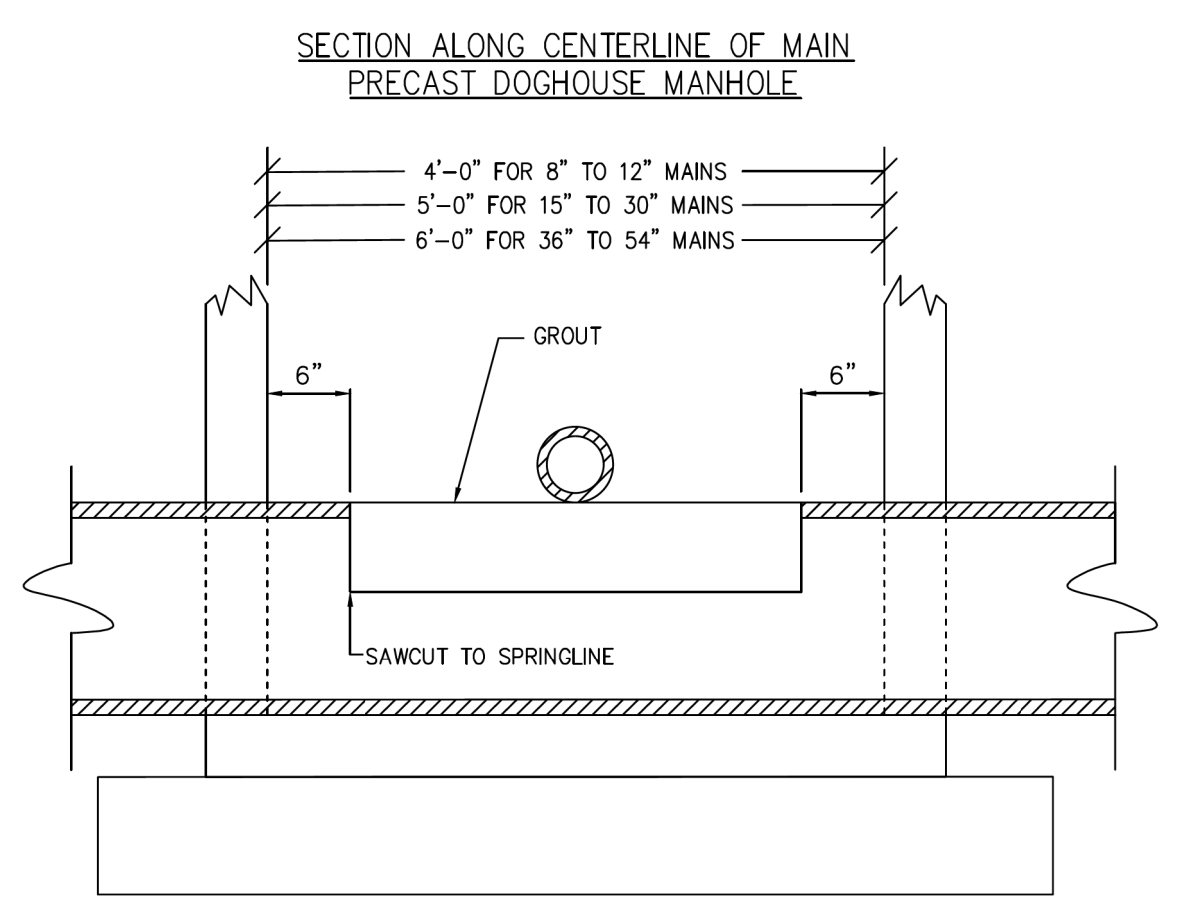


5/14/99
15:45:20 2020 18:00
R-5020B
3:55:51
C:\Users\jmc\OneDrive\Water_Sanitary\R-5020B-ut_UC03A.dtl.dgn



MANUFACTURER	MODEL NUMBER
US FOUNDRY	725 RING / DP-SSG COVER
US FOUNDRY	710 RING / DP-SSG COVER
CAPITAL FOUNDRY	MH-3000
EAST JORDAN IRON WORKS	202711 RING / 202746 COVER
GENERAL FOUNDRIES	GFI-7126 / GFI-41261

STANDARD MANHOLE RING AND COVER
DETAIL S-2

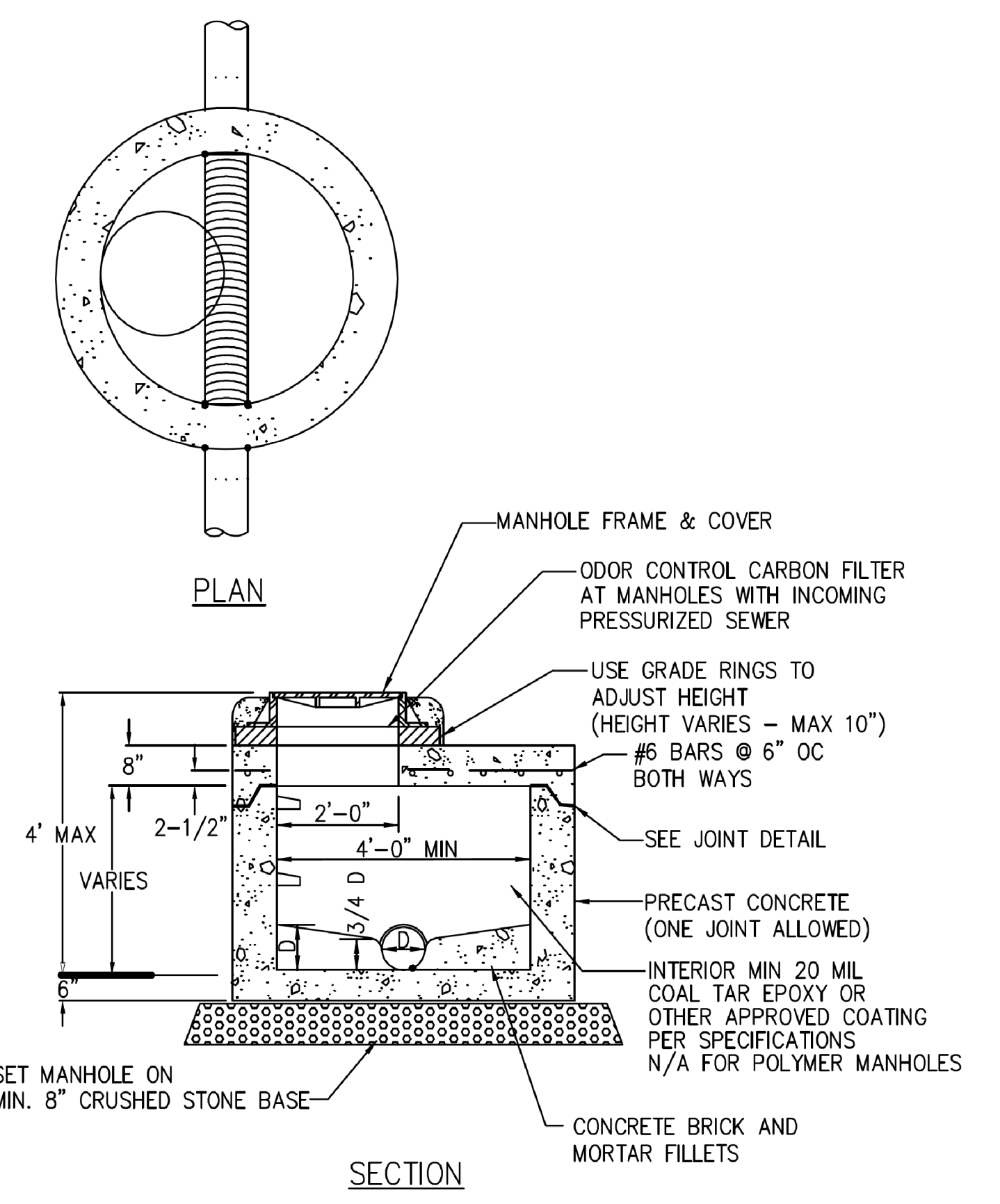


PRECAST CONCRETE DOGHOUSE MANHOLE
DETAIL S-4

GENERAL SEWER DETAILS

PROJECT REFERENCE NO. R-5020B	SHEET NO. UC-3C
DESIGNED BY: DK	
DRAWN BY: AP	
CHECKED BY: MM	
APPROVED BY:	
REVISED:	
NORTH CAROLINA DEPARTMENT OF TRANSPORTATION UTILITIES ENGINEERING SEC. PHONE: (919) 707-6690 FAX: (919) 250-4151	
UTILITY CONSTRUCTION PLANS ONLY Engineers • Planners • Scientists • Construction Managers 4509 Falls of Neuse Road, Suite 400 Raleigh, NC 27609 Phone (919) 783-9214 • Fax (919) 783-9266 License No. C-764	

UTILITY CONSTRUCTION
DOCUMENT NOT CONSIDERED FINAL
UNLESS ALL SIGNATURES COMPLETED



SHALLOW PRECAST CONCRETE
MANHOLE WITH FLAT TOP
DETAIL S-5