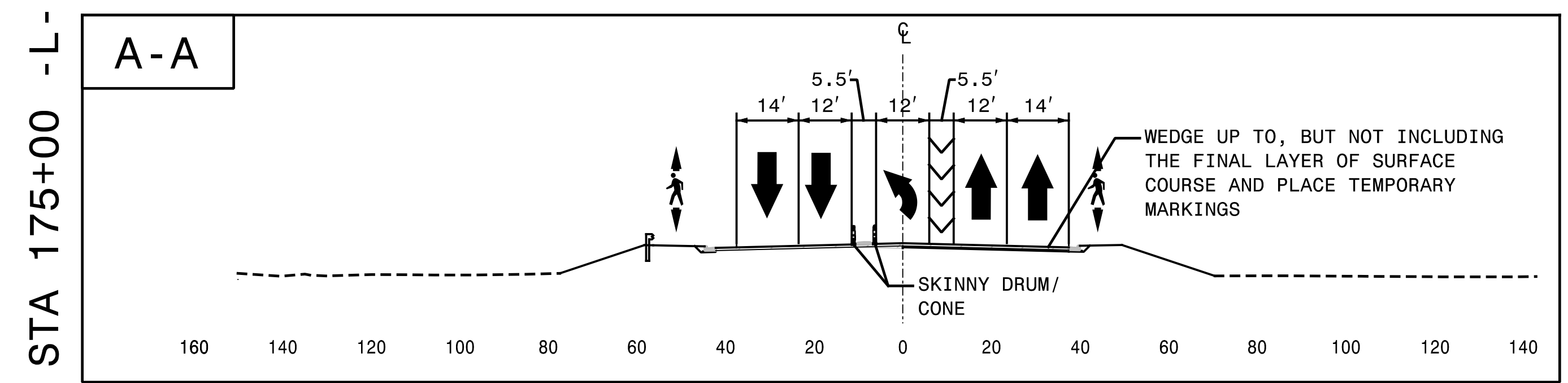
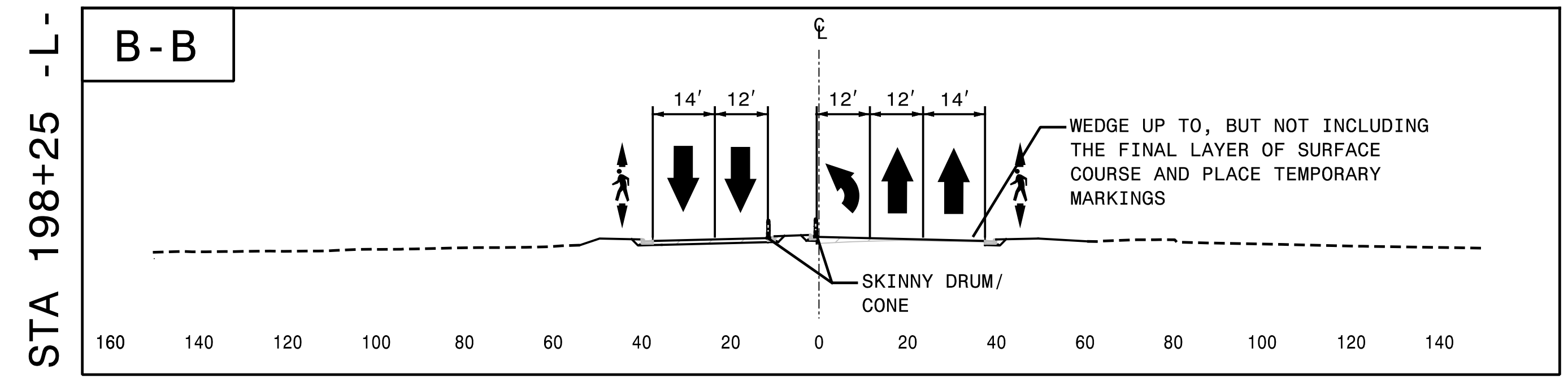
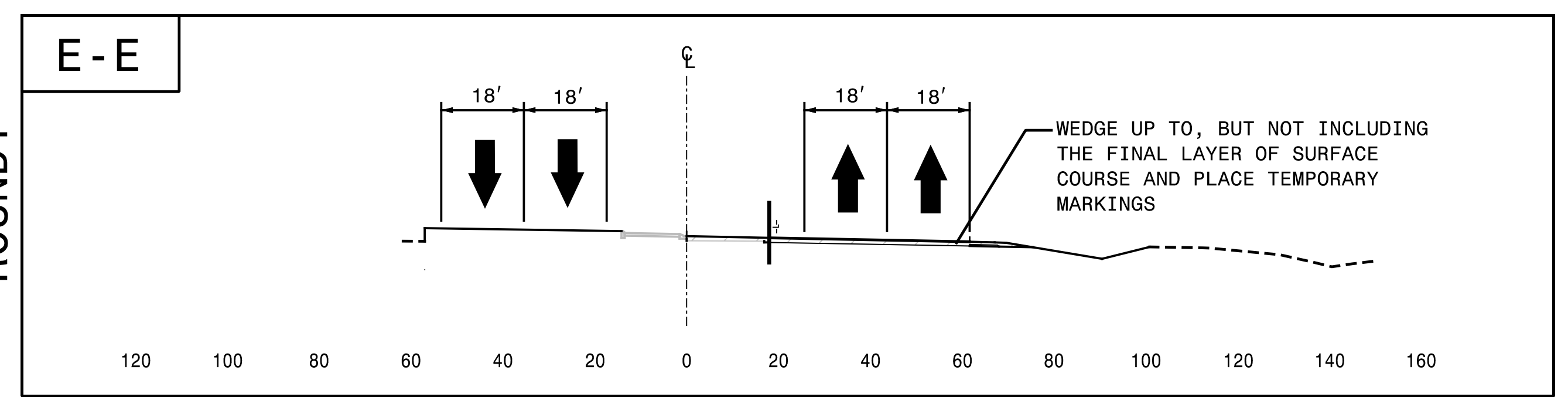


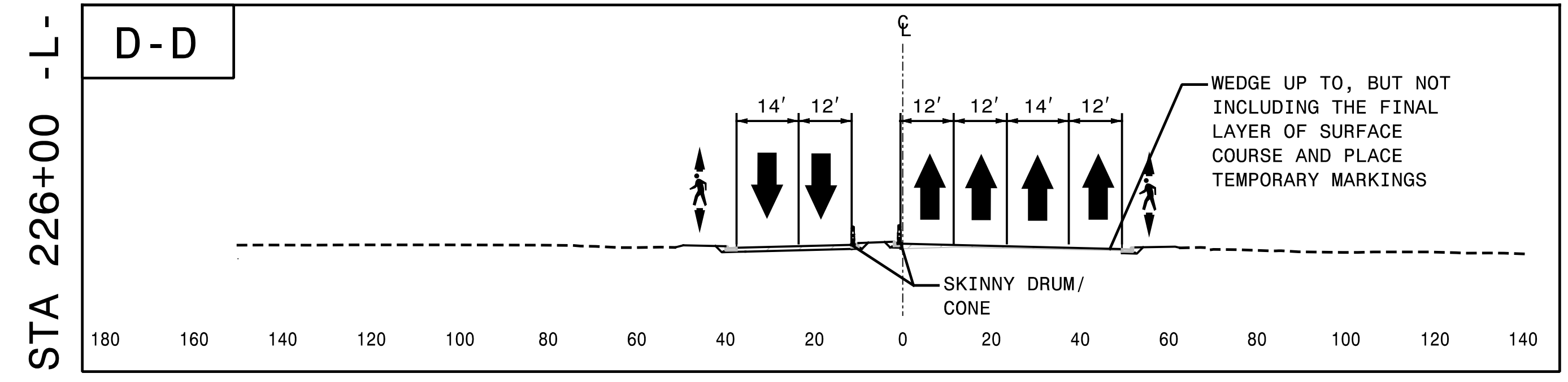
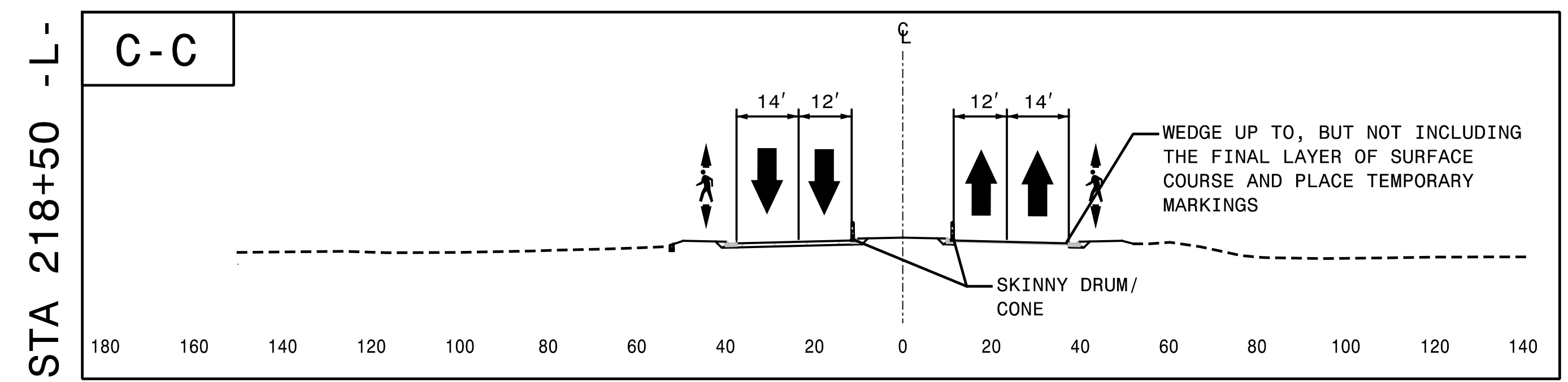
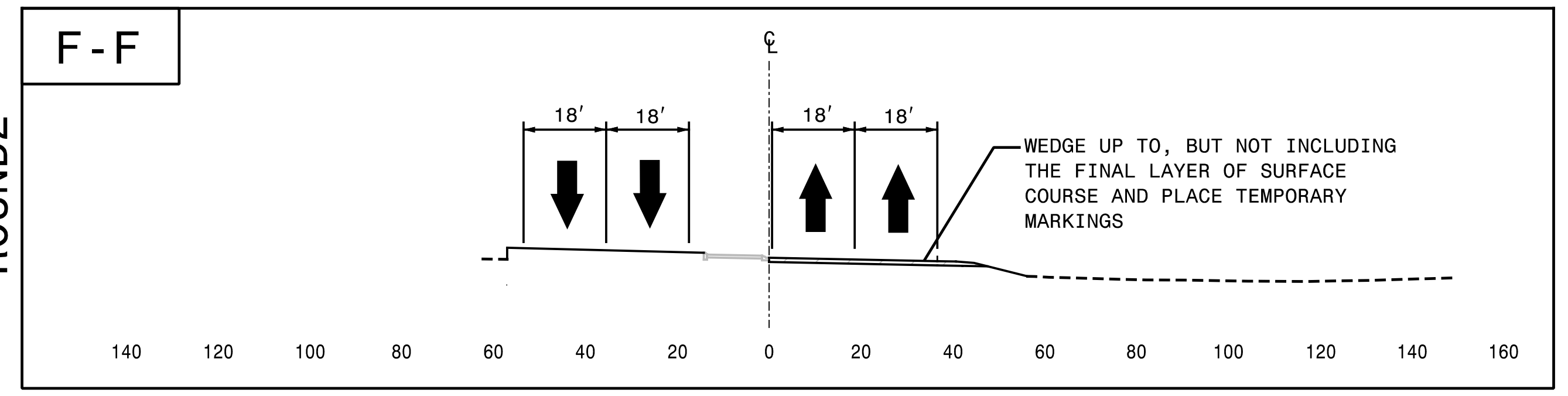
## PHASE II



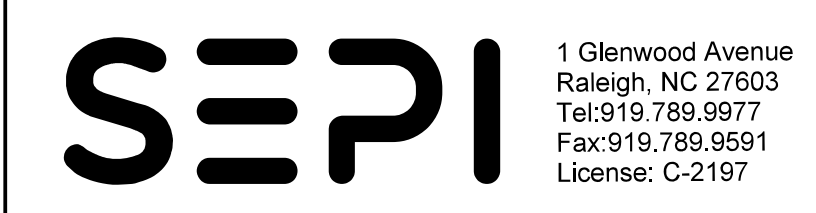
STA 11+50  
- ROUND1 -



STA 10+50  
- ROUND2 -



4/14/2020  
X:\2017\SET\135-00 R-5020B\TP\TrafficControl\TMP\R-5020B-TC\_TMP-02C.dgn  
Screen

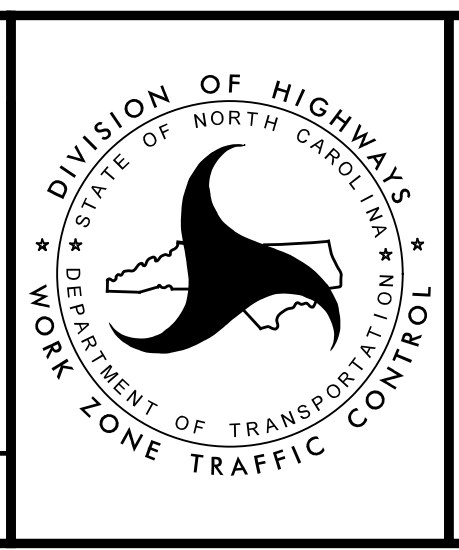


APPROVED: *Steve Miller*  
1583A429322844A

DATE: \_\_\_\_\_

SEAL

**DOCUMENT NOT CONSIDERED FINAL  
UNLESS ALL SIGNATURES COMPLETED**



**TEMPORARY  
TRAFFIC CONTROL  
PHASE II  
CUT SECTIONS**