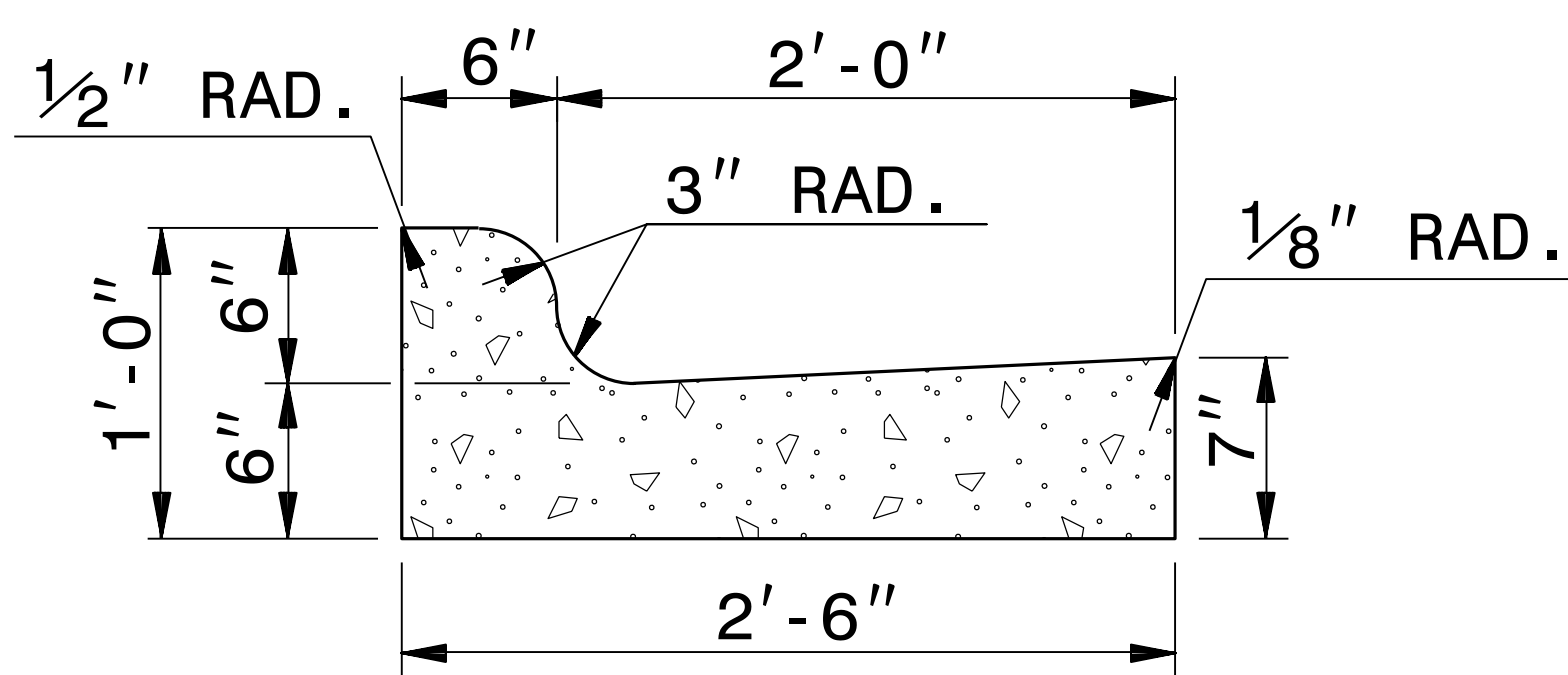
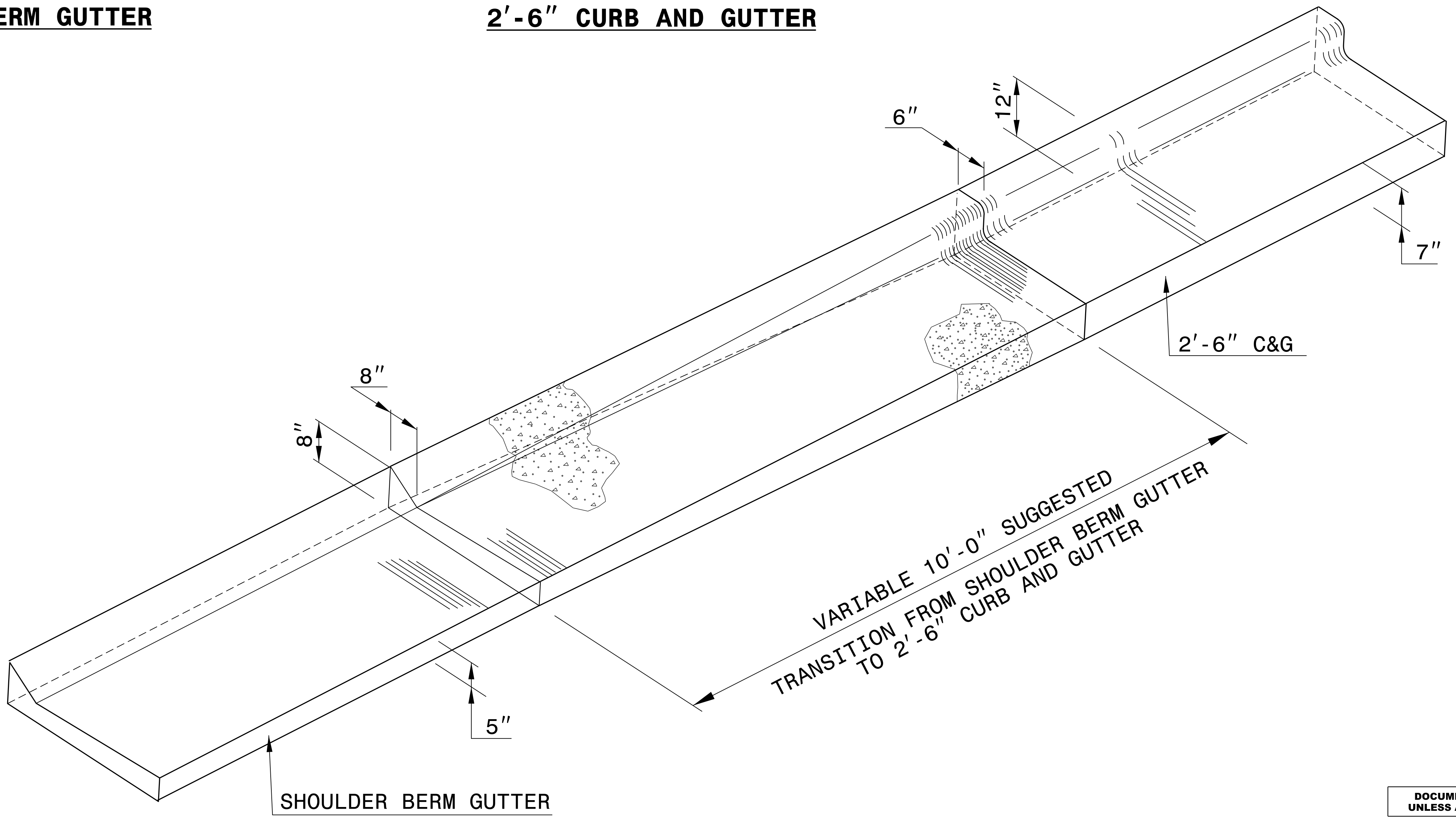


SHOULDER BERM GUTTER



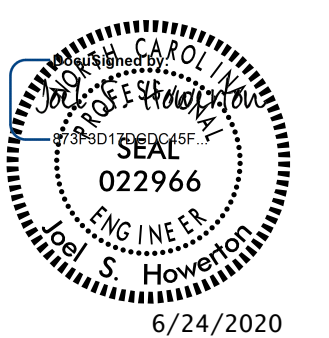
2'-6" CURB AND GUTTER

*NOTE: SEE STD. DWG. 846.01 FOR GENERAL NOTES



ISOMETRIC VIEW OF TRANSITION

VARIABLE 10'-0" SUGGESTED
TRANSITION FROM SHOULDER BERM GUTTER
TO 2'-6" CURB AND GUTTER



6/24/2020

DOCUMENT NOT CONSIDERED FINAL
UNLESS ALL SIGNATURES COMPLETED

**CONTRACT STANDARDS
AND DEVELOPMENT UNIT**
Office 919-707-6950 FAX 919-250-4119

**DETAIL OF SHOULDER BERM GUTTER
TO 2'-6" CURB & GUTTER
TRANSITION SECTION**

ORIGINAL BY: E.E. WARD DATE: 5-29-02
 MODIFIED BY: DATE:
 CHECKED BY: DATE:
 FILE SPEC.: /usr/details/stand/cgtransit.dgn

08-SEP-2017 08:41 S:\Contracts\Special Details\vericard\usr\details\stand\c&g transition sections.dgn Jhowerton AT USD-292595

5/14/99