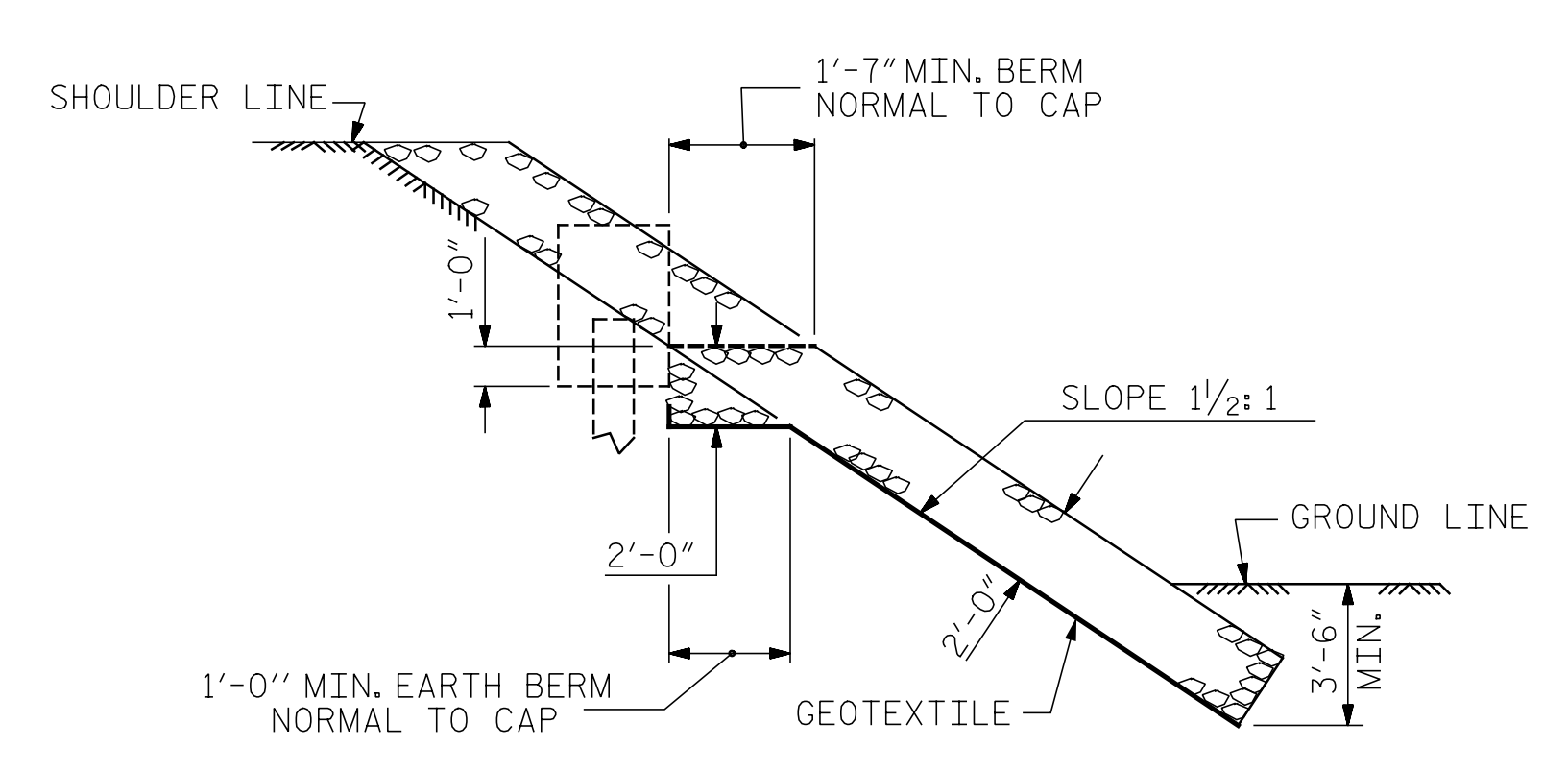


END BENT NO. 1

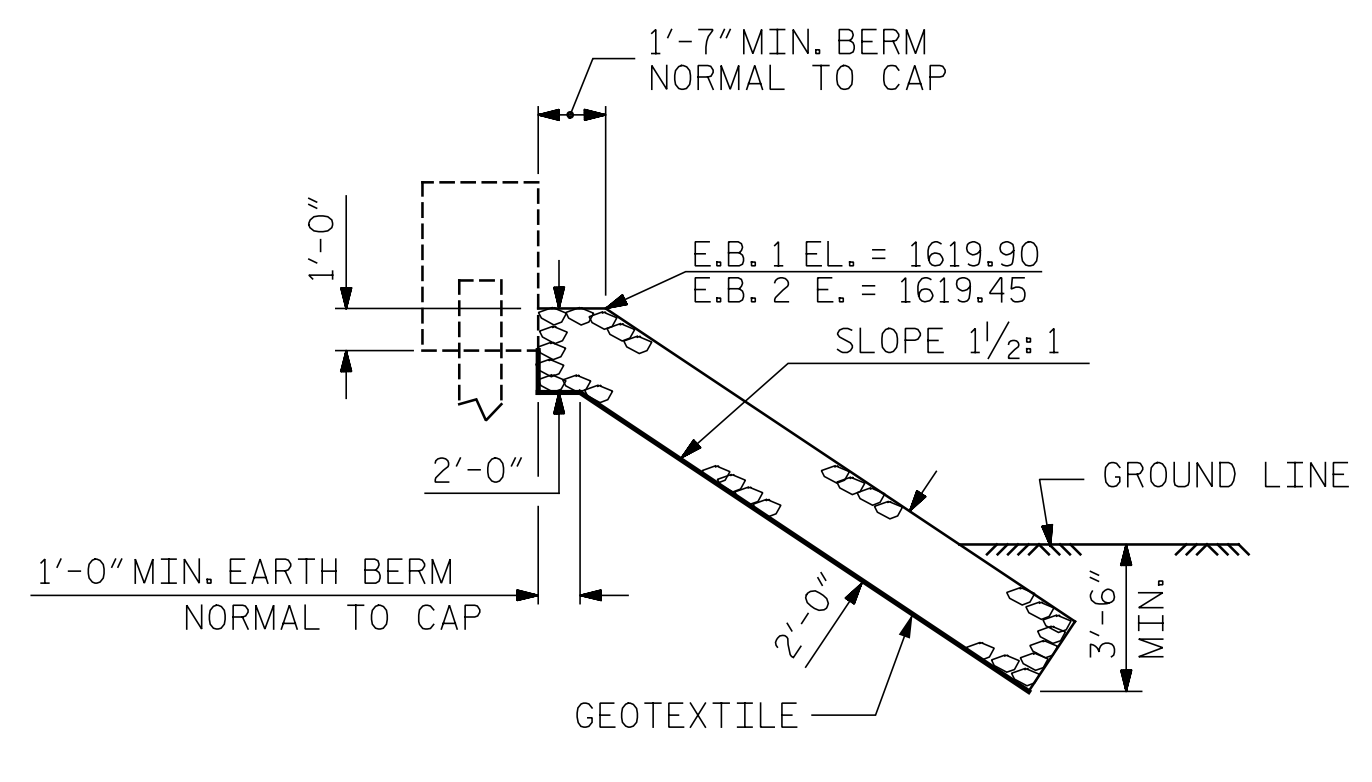
END BENT NO. 2

PLAN

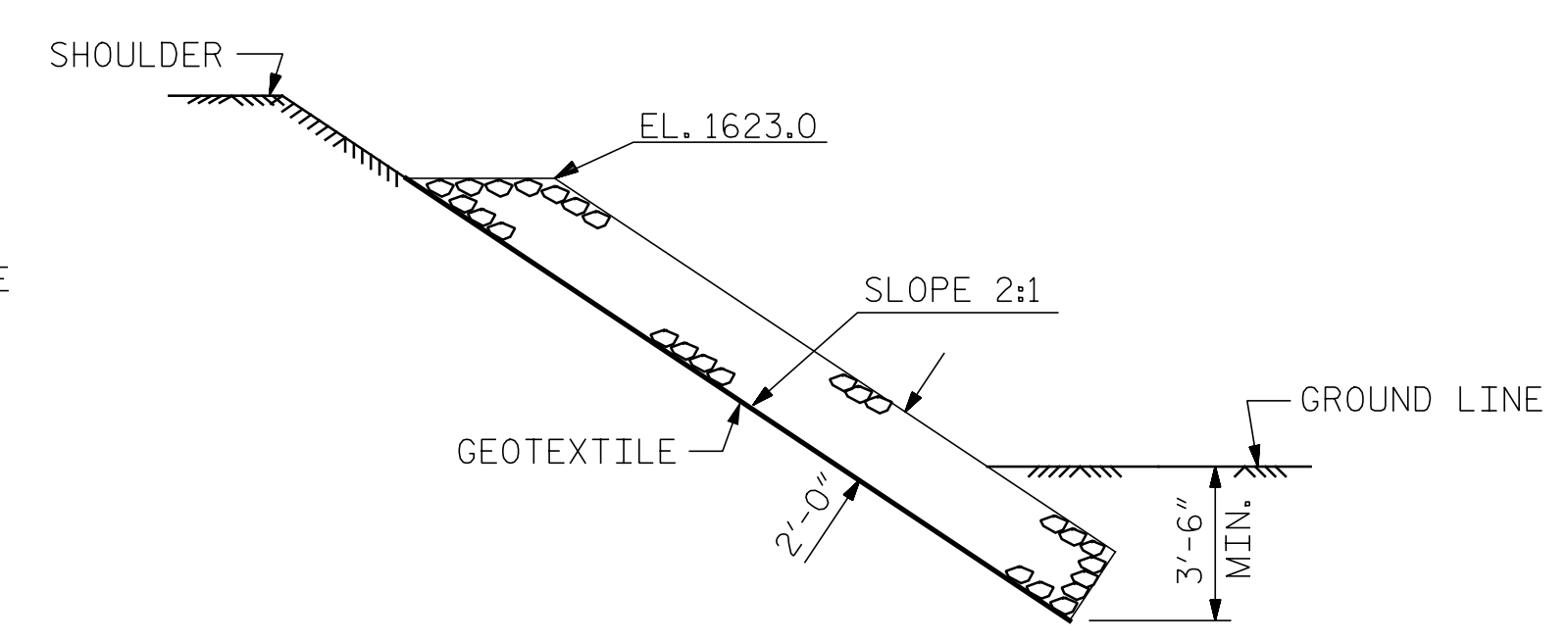
ESTIMATED QUANTITIES		
BRIDGE @ STA. 15+45.00 -L-	RIP RAP CLASS II (2'-0" THICK)	GEOTEXTILE FOR DRAINAGE
	TONS	SQUARE YARDS
END BENT 1	71	53
END BENT 2	90	67



SECTION H-H

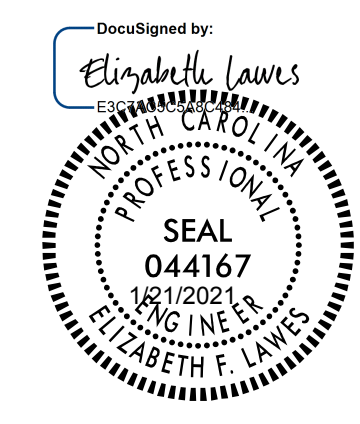


SECTION C-C
BERM RIP RAPPED



SECTION C-C

PROJECT NO. BR-0011
CHEROKEE COUNTY
 STATION: 15+45.00 -L-



STATE OF NORTH CAROLINA
 DEPARTMENT OF TRANSPORTATION
 RALEIGH
 STANDARD
 = RIP RAP DETAILS =

ASSEMBLED BY : EFL	DATE : 1/13/2021
CHECKED BY : KFS	DATE : 1/13/2021
DRAWN BY : REK 1/84	REV. 5/1/06R TLA/GM
CHECKED BY : RDU 1/84	REV. 10/1/11 MAA/GM
	REV. 12/21/11 MAA/GM

1/13/2021
 BR-0011_SD_rr_S14.dgn
 ksmilach

DOCUMENT NOT CONSIDERED
 FINAL UNLESS ALL
 SIGNATURES COMPLETED

VHB Engineering NC, P.C. (C-3705)
 940 Main Campus Drive, Suite 500
 Raleigh, NC 27606

REVISIONS						SHEET NO.
NO.	BY:	DATE:	NO.	BY:	DATE:	S-14
1			3			TOTAL SHEETS
2			4			15

STD. NO. RR1