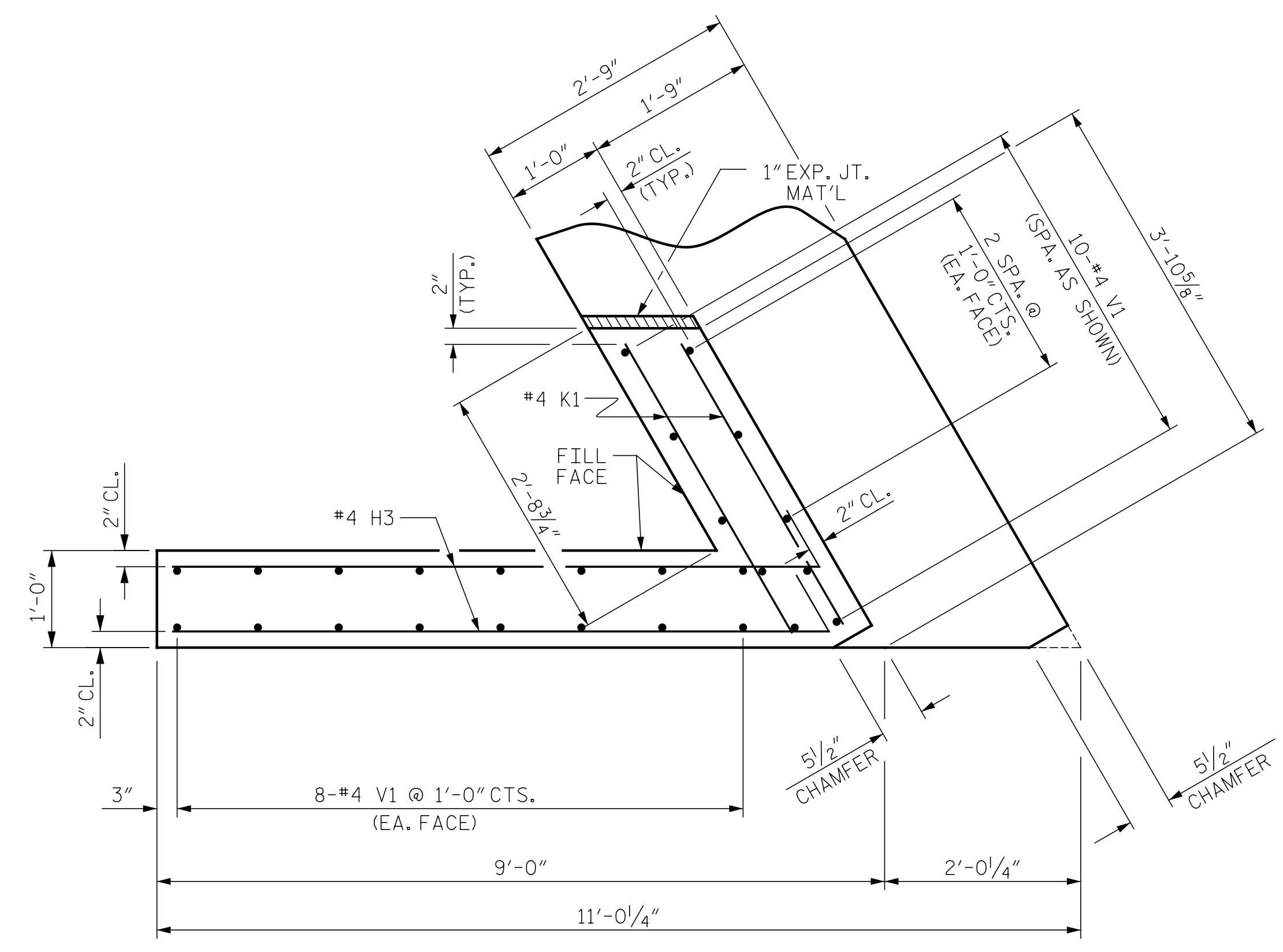
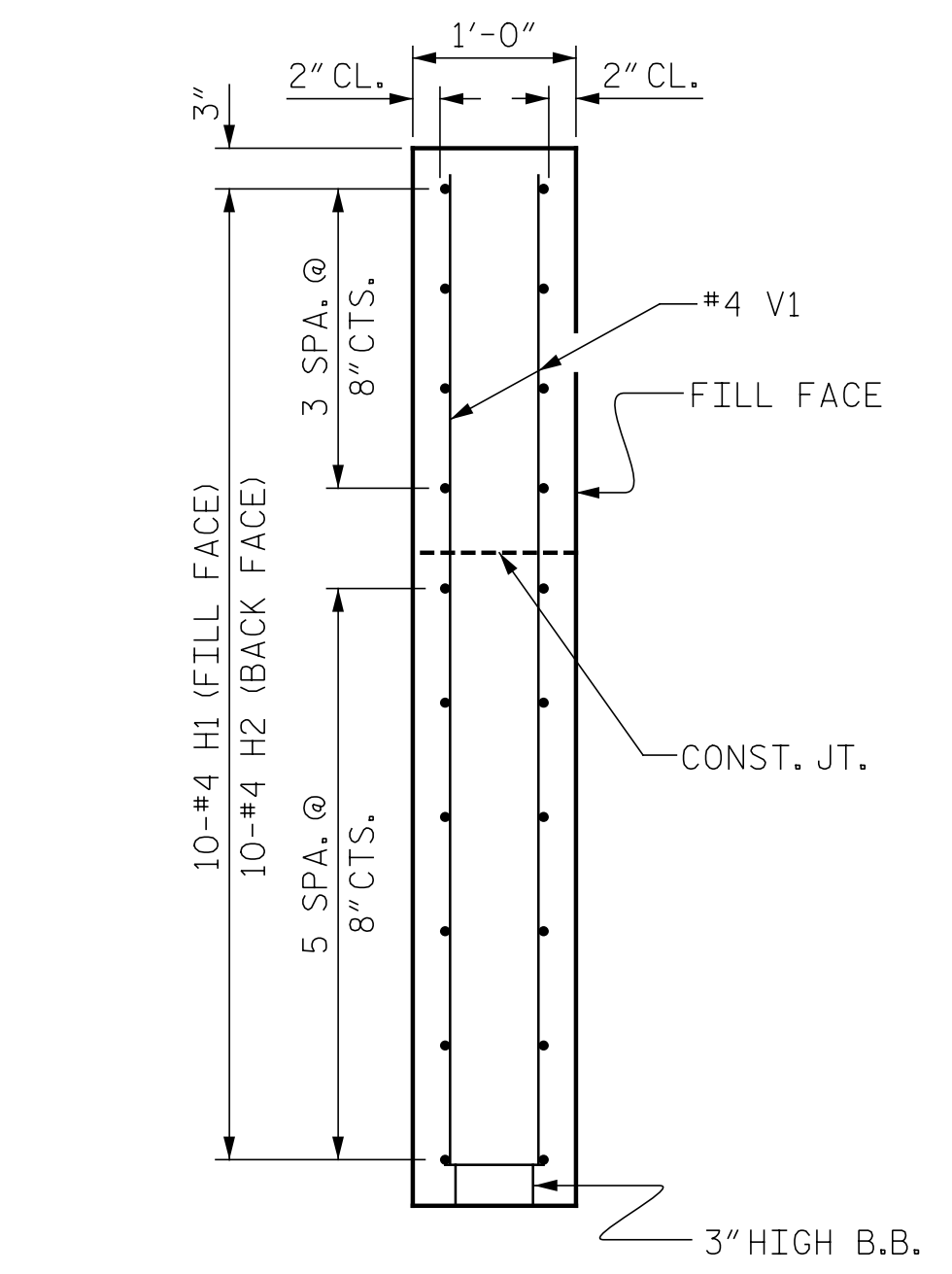


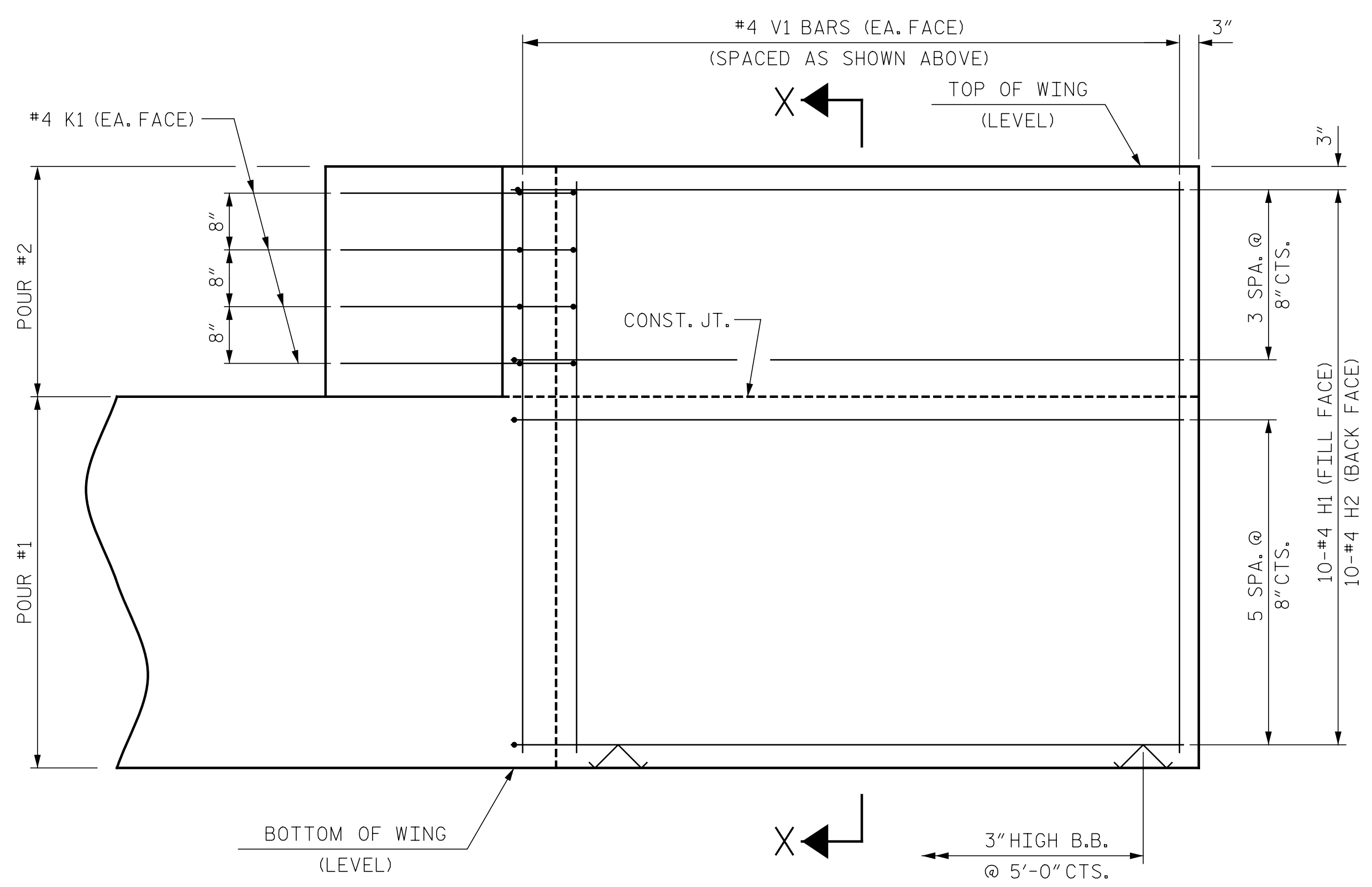
PLAN OF WING (W1)



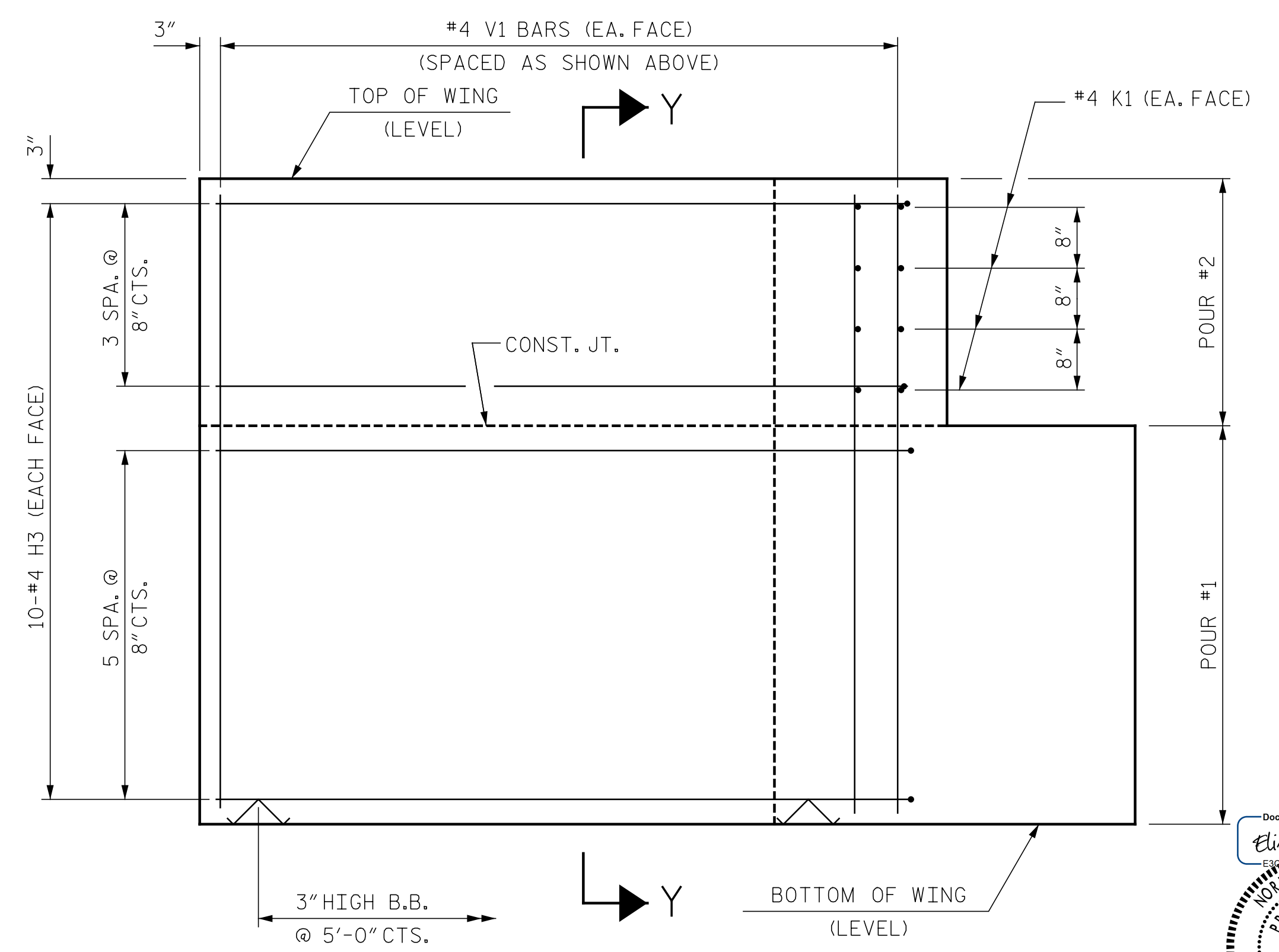
PLAN OF WING (W2)



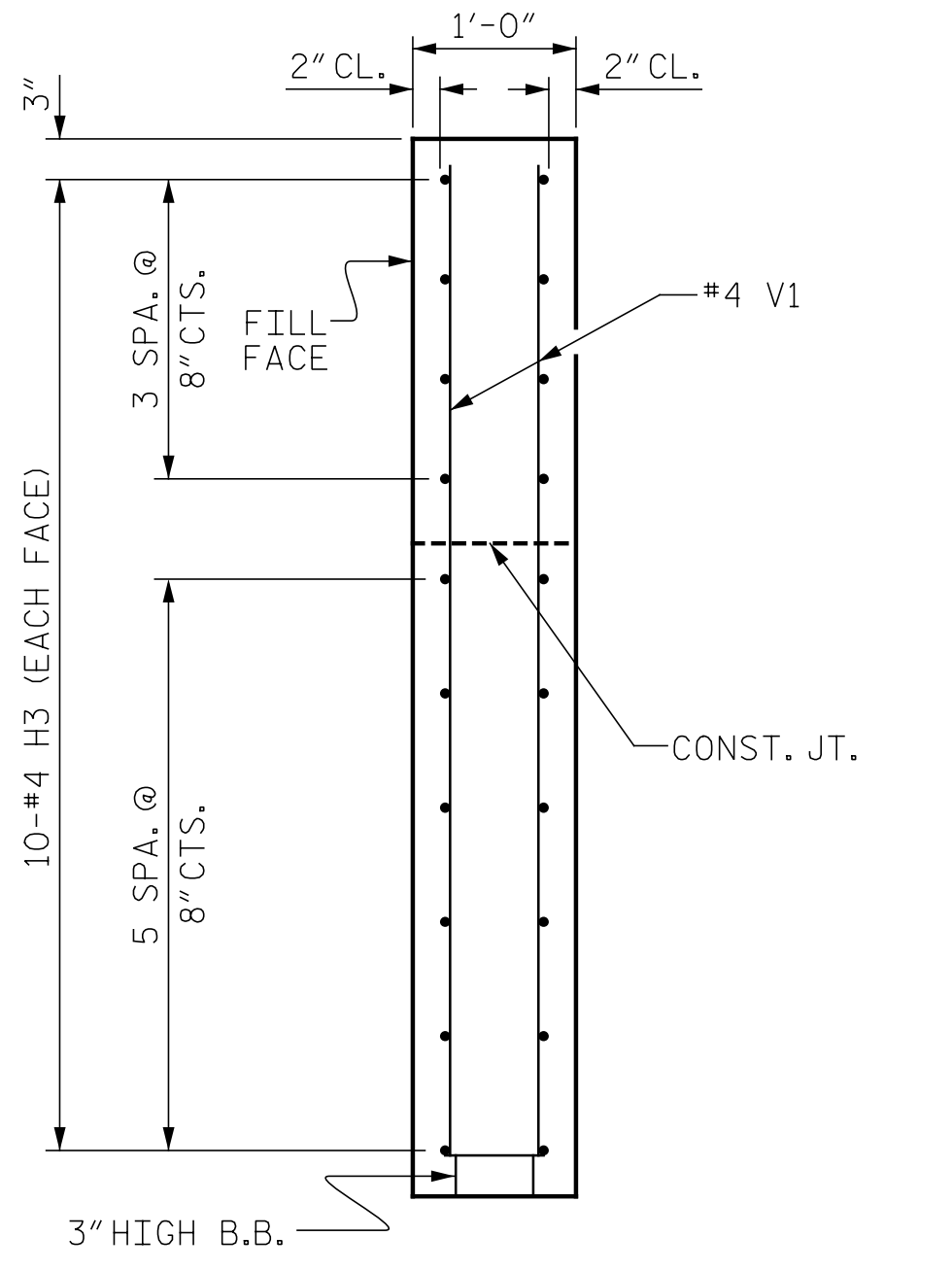
SECTION X-X



ELEVATION OF WING (W1)

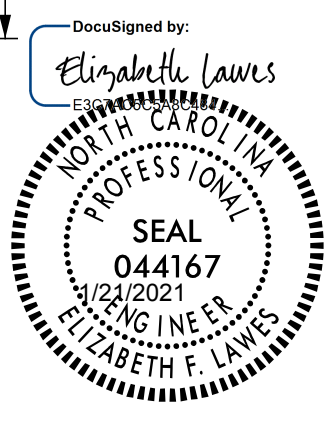


ELEVATION OF WING (W2)



SECTION Y-Y

PROJECT NO. BR-0011
 CHEROKEE COUNTY
 STATION: 15+45.00 -L-
 SHEET 3 OF 4



STATE OF NORTH CAROLINA
 DEPARTMENT OF TRANSPORTATION
 RALEIGH
 SUBSTRUCTURE
 END BENT
 WING DETAILS

ASSEMBLED BY : EFL	DATE : 1/13/2021
CHECKED BY : KFS	DATE : 1/13/2021
DRAWN BY : WJH	12/11
CHECKED BY : AAC	12/11
REV. 4/15	MAA/TMG

1/13/2021
 BR-0011_SD_F_S12.dgn
 ksmilach

WING DETAILS

DOCUMENT NOT CONSIDERED
 FINAL UNLESS ALL
 SIGNATURES COMPLETED

REVISIONS						TOTAL SHEETS
NO.	BY:	DATE:	NO.	BY:	DATE:	15
1			3			
2			4			