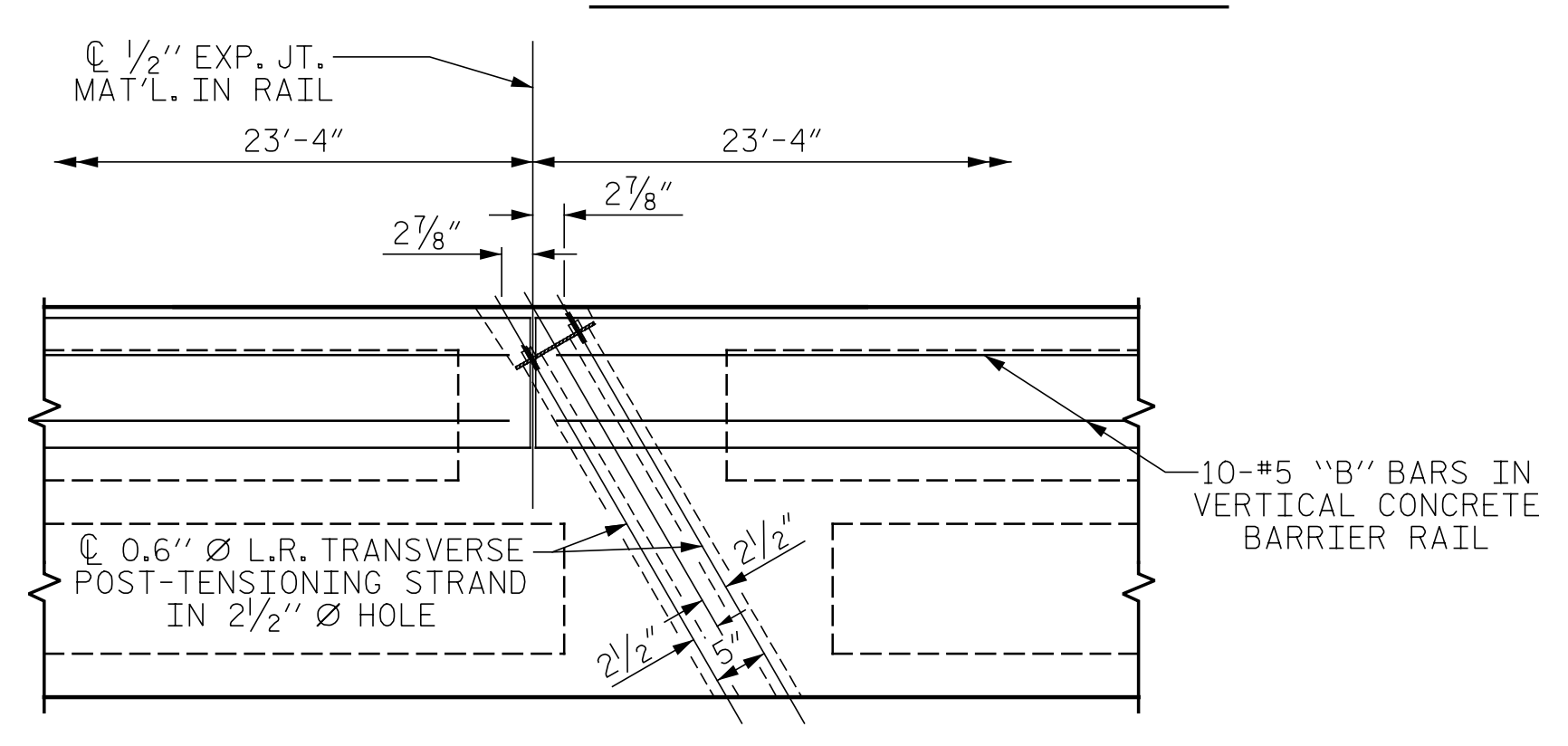


DETAIL "A"

(SIMILAR EACH END OF UNIT)  
 NOTE: EXTERIOR UNIT SHOWN - INTERIOR UNIT SIMILAR EXCEPT OMIT #5 S12 BARS.



DETAIL "B"

#4 S11 BARS MAY BE SHIFTED AS NECESSARY TO MAINTAIN 1" CLEAR TO GROUDED RECESS AND 2 1/2" Ø TRANSVERSE POST-TENSIONING STRAND HOLES

PLAN OF UNIT

ASSEMBLED BY : EFL	DATE : ##FILE##
CHECKED BY : KFS	DATE : ##FILE##
DRAWN BY : MAA 6/10	REV. 12/5/11 MAA/AAC
CHECKED BY : MKT 7/10	REV. 8/14 MAA/TMG

1/13/2021  
 BR-0011.SD\_CS\_S6.dgn  
 ksmalach

DOCUMENT NOT CONSIDERED FINAL UNLESS ALL SIGNATURES COMPLETED

DocuSigned by:  
 Elizabeth F. Lawes  
 PROFESSIONAL SEAL  
 044167  
 1/13/2021  
 ELIZABETH F. LAWES

**vhb**  
 VHB Engineering NC, P.C. (C-3705)  
 940 Main Campus Drive, Suite 500  
 Raleigh, NC 27606

PROJECT NO. BR-0011  
 CHEROKEE COUNTY  
 STATION: 15+45.00 -L-

SHEET 2 OF 3

REVISIONS						TOTAL SHEETS
NO.	BY:	DATE:	NO.	BY:	DATE:	15
1			3			
2			4			

STATE OF NORTH CAROLINA  
 DEPARTMENT OF TRANSPORTATION  
 RALEIGH

PLAN OF 70' UNIT  
 39'-10" CLEAR ROADWAY  
 60° SKEW