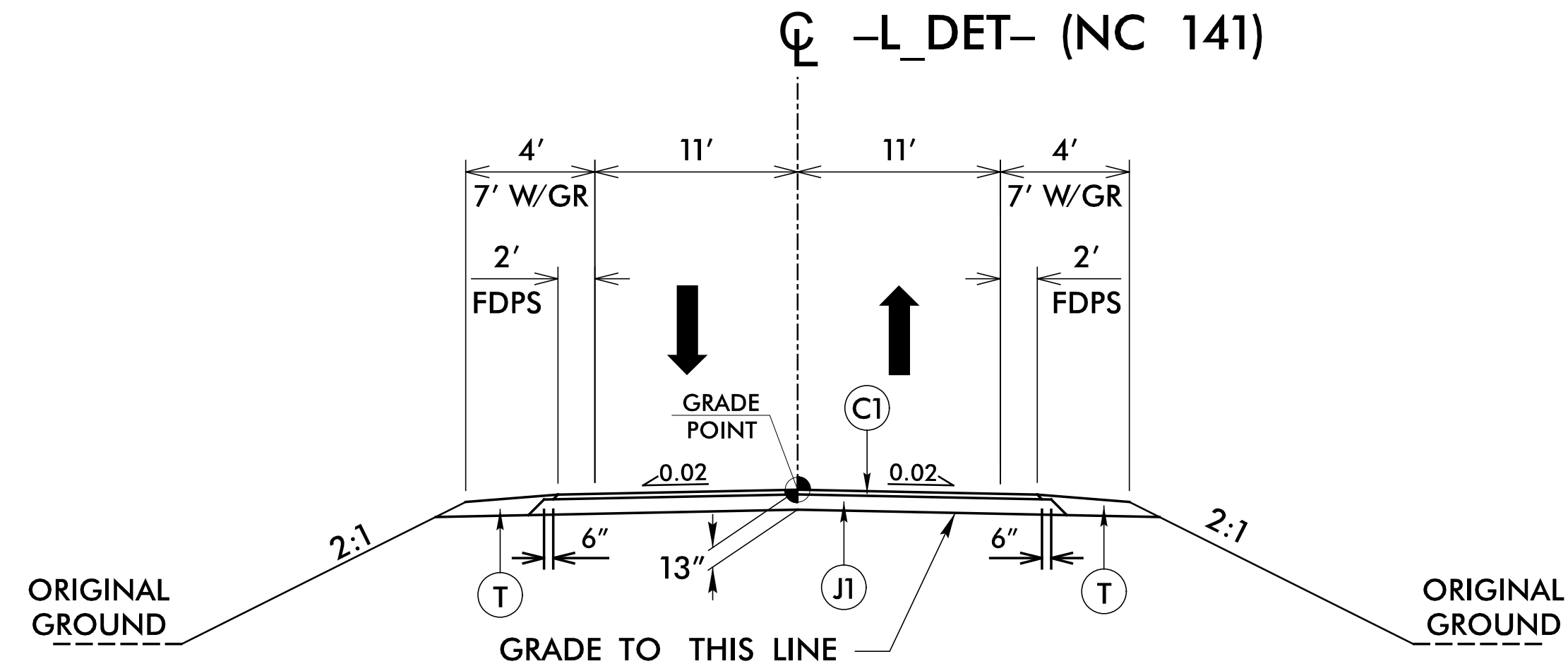


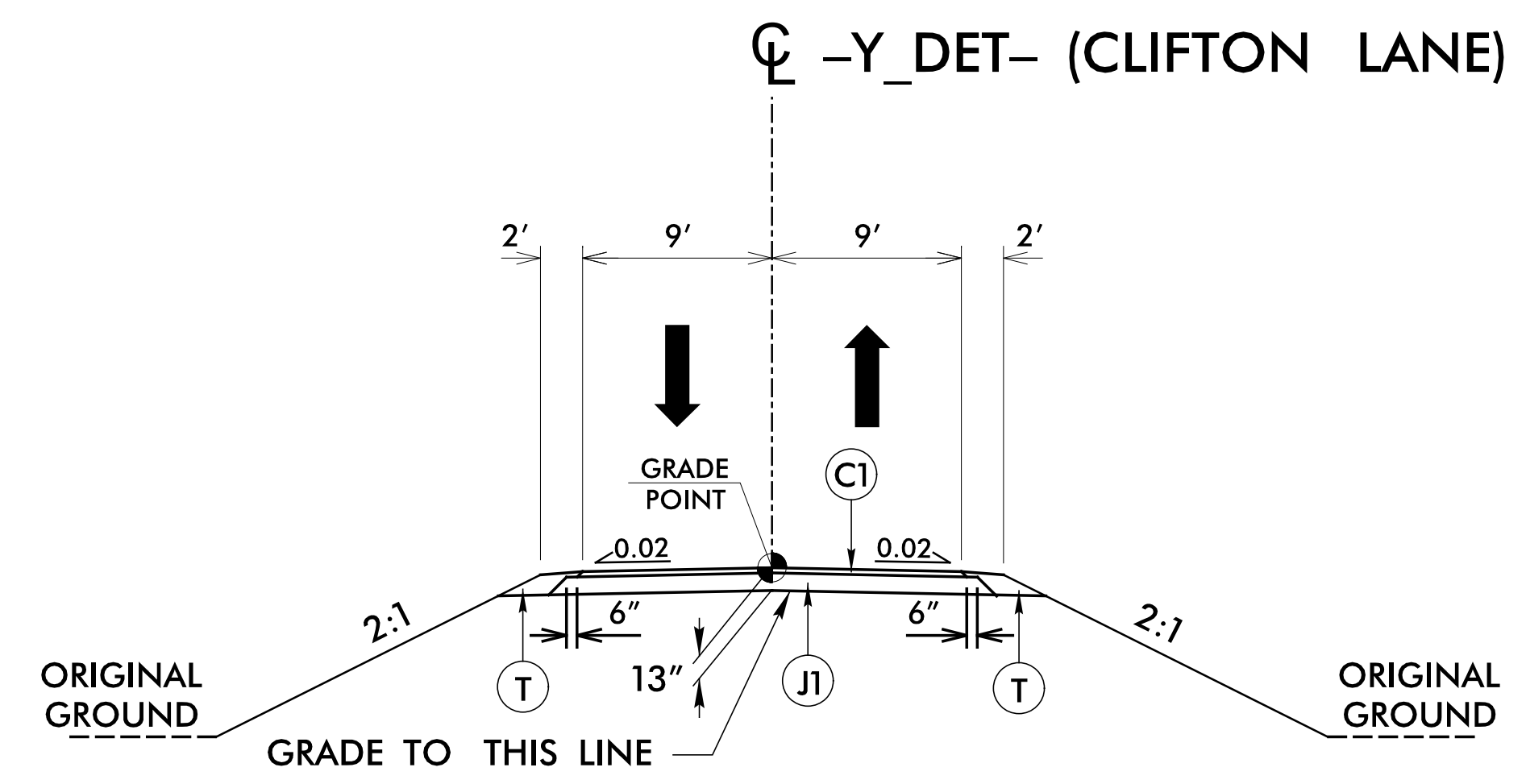
5/14/2018

FINAL PAVEMENT SCHEDULE	
C1	3" S9.5B
J1	10" ABC
T	EARTH MATERIAL
U	EXISTING PAVEMENT

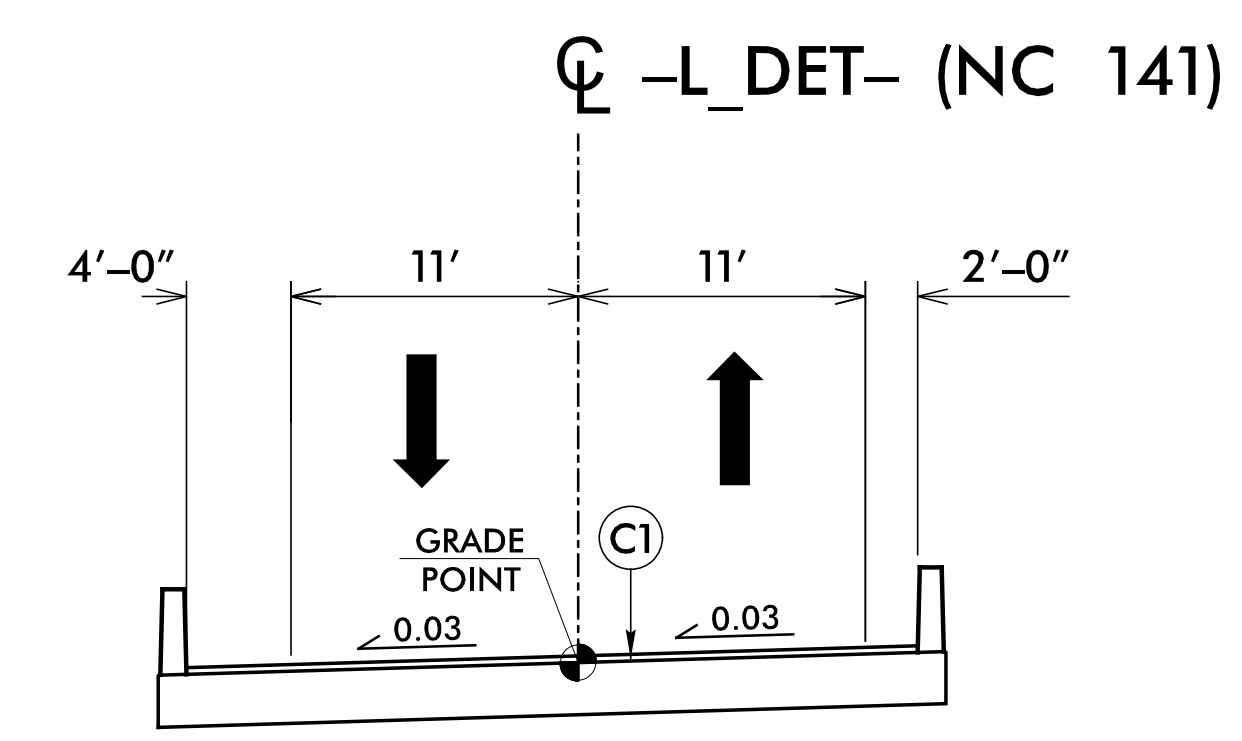
NOTE: PAVEMENT EDGE SLOPES ARE 1:1 UNLESS SHOWN OTHERWISE.



**TYPICAL SECTION NO. 4**  
 -L\_DET- STA. 50+92.50 TO STA. 53+13.42 (BEGIN TEMP. BRIDGE)  
 -L\_DET- STA. 53+73.42 (END TEMP. BRIDGE) TO STA. 56+08.25



**TYPICAL SECTION NO. 5**  
 -Y\_DET- STA. 5+13.44 TO 5+40.02



**TYPICAL SECTION ON TEMPORARY STRUCTURE**  
 -L\_DET- STA. 53+13.42 (BEGIN BRIDGE) TO STA. 53+73.42 (END BRIDGE)

PROJECT REFERENCE NO. <i>BR-0011</i>	SHEET NO. <i>2A-2</i>
RW SHEET NO.	
ROADWAY DESIGN ENGINEER <i>[Signature]</i>	PAVEMENT DESIGN ENGINEER <i>[Signature]</i>
<i>[Professional Seal]</i>	<i>[Professional Seal]</i>
<b>DOCUMENT NOT CONSIDERED FINAL UNLESS ALL SIGNATURES COMPLETED</b>	



1/27/2021 11:11:11 rdy\_tjp\_026.dgn kspn