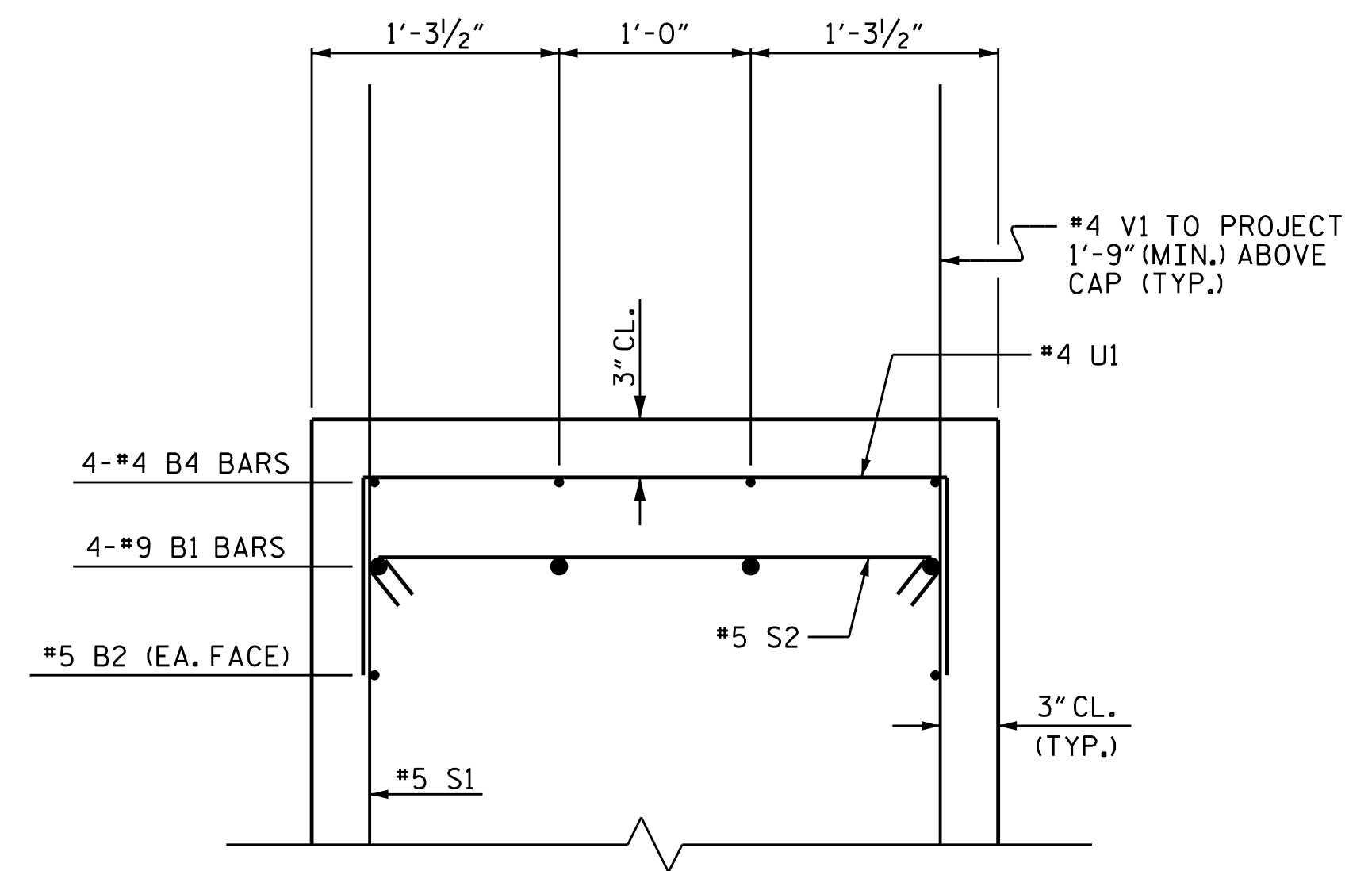
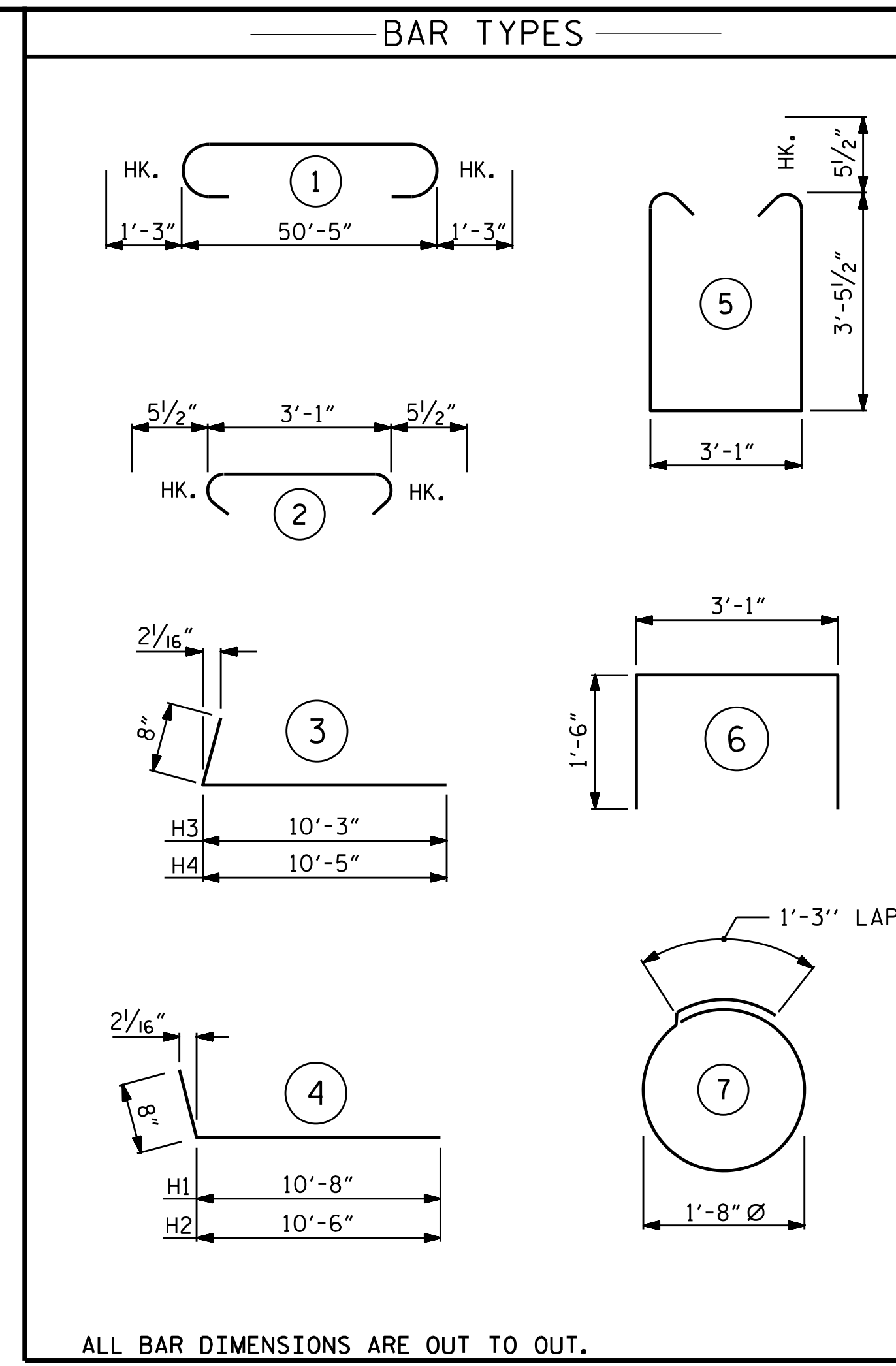


SECTION A-A

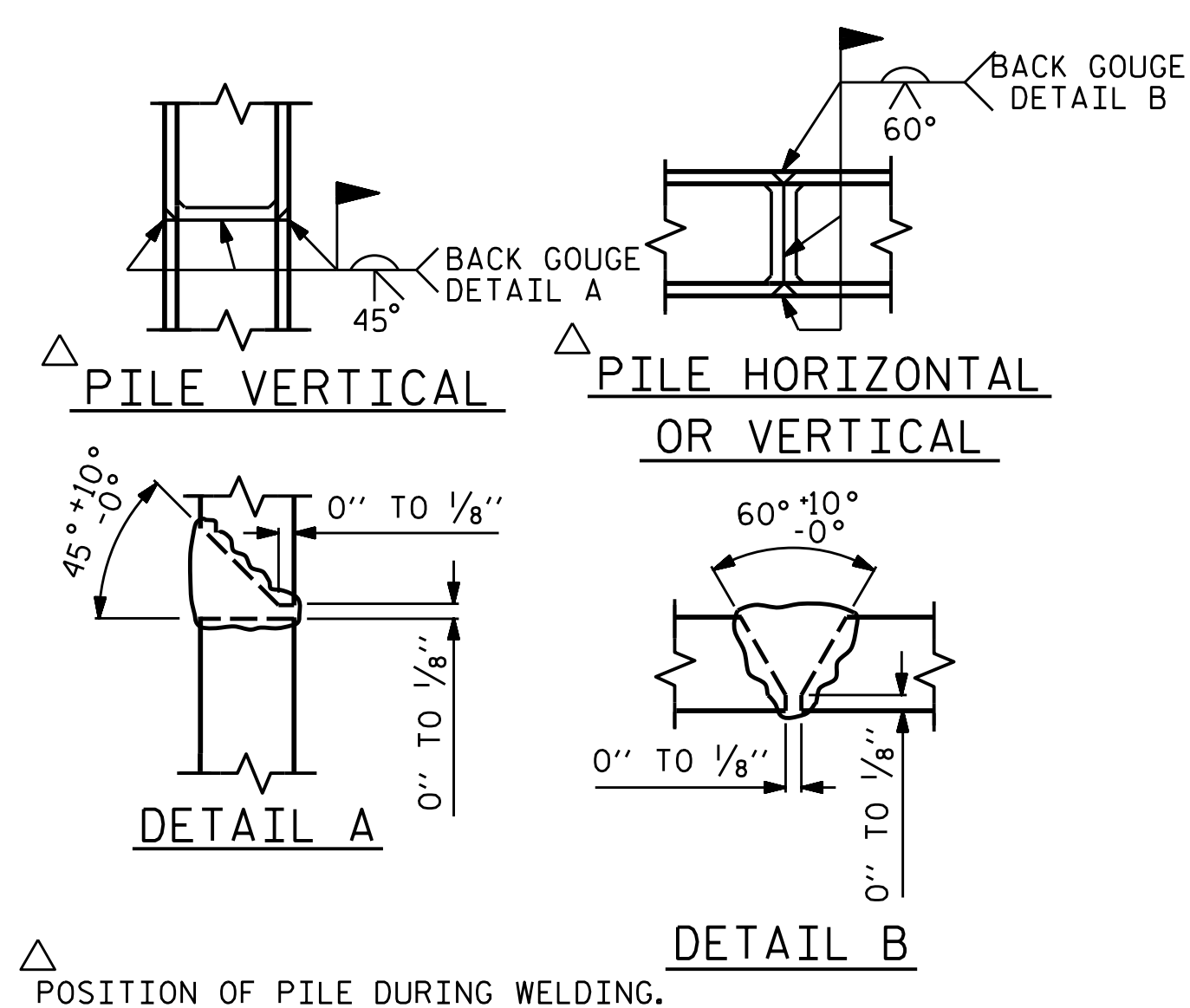


PARTIAL SECTION B-B

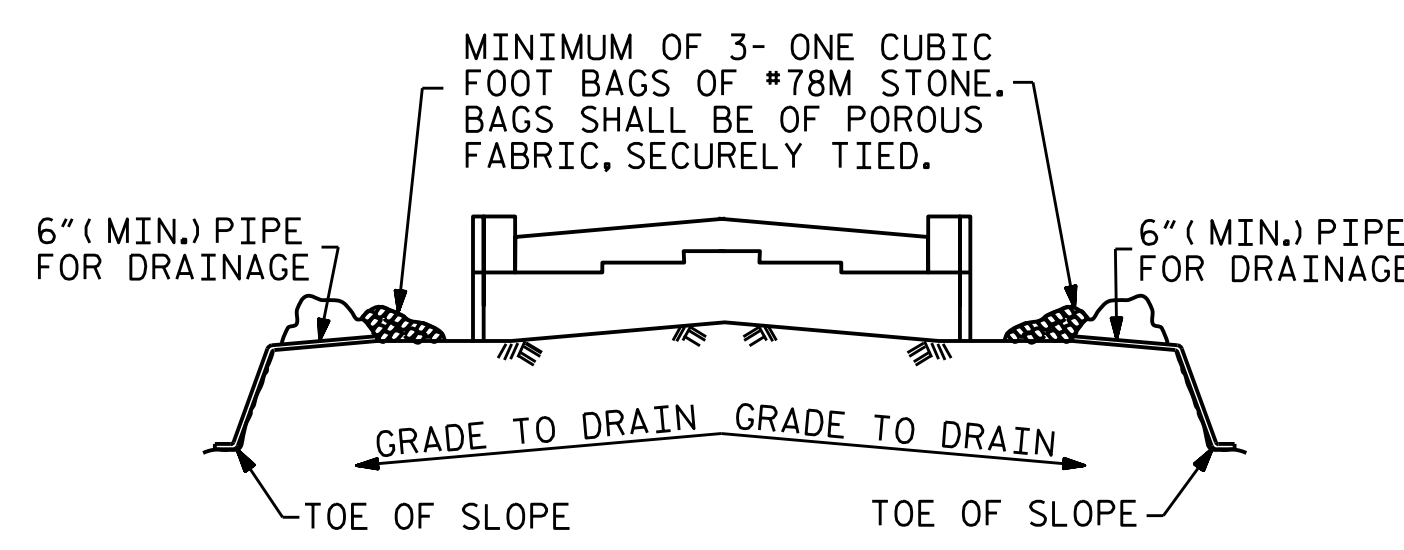


ALL BAR DIMENSIONS ARE OUT TO OUT.

BILL OF MATERIAL					
END BENT 1					
BAR NO.	SIZE	TYPE	LENGTH	WEIGHT	
*B1	#9	1	52'-11"	1439	
*B2	#5	STR	50'-7"	317	
*B3	#4	STR	26'-6"	142	
*B4	#4	STR	1'-8"	4	
*B5	#4	STR	3'-1"	27	
*H1	#5	4	11'-4"	142	
*H2	#5	4	11'-2"	140	
*H3	#5	3	10'-11"	137	
*H4	#5	3	11'-1"	139	
*K1	#4	STR	3'-6"	56	
*S1	#5	5	10'-11"	592	
*S2	#5	2	4'-0"	217	
*S3	#4	7	6'-6"	122	
*U1	#4	6	6'-1"	8	
*V1	#4	STR	4'-3"	204	
*V2	#4	STR	7'-11"	317	
*EPOXY COATED REINFORCING STEEL				4003 LBS.	
CLASS AA CONCRETE BREAKDOWN					
POUR #1 CAP, LOWER PART OF WINGS & COLLARS				32.2 C.Y.	
POUR #2 UPPER PART OF WINGS				4.2 C.Y.	
TOTAL CLASS AA CONCRETE				36.4 C.Y.	
HP 12 X 53 STEEL PILES					
NO: 7				LIN. FT.= 280	
PILE DRIVING EQUIPMENT SET UP FOR HP 12 X 53 STEEL PILES					
				NO: 7 EA.	
STEEL PILE POINTS				NO: 7 EA.	
PILE REDRIVES				NO: 4 EA.	



PILE SPLICE DETAILS



BAGGED STONE AND PIPE SHALL BE PLACED IMMEDIATELY AFTER COMPLETION OF END BENT EXCAVATION. PIPE MAY BE EITHER CONCRETE, CORRUGATED STEEL, CORRUGATED ALUMINUM ALLOY, OR CORRUGATED PLASTIC. PERFORATED PIPE WILL NOT BE ALLOWED.

BAGGED STONE SHALL REMAIN IN PLACE UNTIL THE ENGINEER DIRECTS THAT IT BE REMOVED. THE CONTRACTOR SHALL REMOVE AND DISPOSE OF SILT ACCUMULATIONS AT BAGGED STONE WHEN SO DIRECTED BY THE ENGINEER. BAGS SHALL BE REMOVED AND REPLACED WHENEVER THE ENGINEER DETERMINES THAT THEY HAVE DETERIORATED AND LOST THEIR EFFECTIVENESS.

NO SEPARATE PAYMENT WILL BE MADE FOR THIS WORK AND THE ENTIRE COST OF THIS WORK SHALL BE INCLUDED IN THE UNIT CONTRACT PRICE BID FOR THE SEVERAL PAY ITEMS.

TEMPORARY DRAINAGE AT END BENT

PROJECT NO. B-4414
BEAUFORT COUNTY
 STATION: 24+78.90 -L-
 SHEET 3 OF 3

STATE OF NORTH CAROLINA
 DEPARTMENT OF TRANSPORTATION
 RALEIGH

SUBSTRUCTURE
INTEGRAL
END BENT 1

SEAL 20125
 MARSHALL C. CHECK JR.
 ENGINEER
 2/8/2021

DOCUMENT NOT CONSIDERED FINAL UNLESS ALL SIGNATURES COMPLETED

TGS ENGINEERS
 706 HILLSBOROUGH STREET
 SUITE 200
 RALEIGH, NC 27603
 PH (919) 773-8887
 CORP. LICENSE NO.: C-0275

REVISIONS						SHEET NO.
NO.	BY:	DATE:	NO.	BY:	DATE:	S-22
1			3			TOTAL SHEETS 33
2			4			

DRAWN BY :	STM	DATE :	12/19
CHECKED BY :	MGC	DATE :	12/19
DESIGN ENGINEER OF RECORD:	TBE	DATE :	03/20