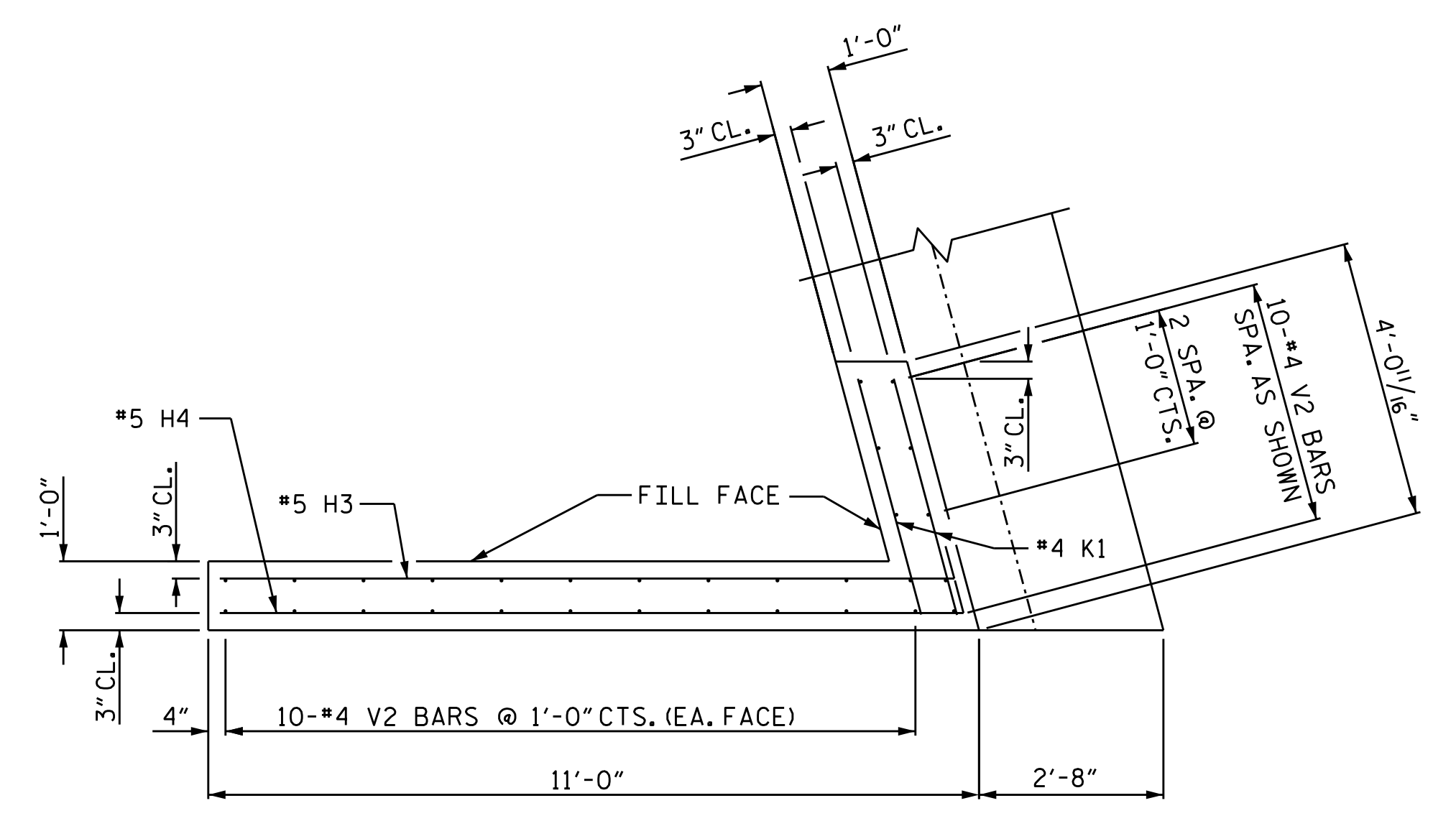
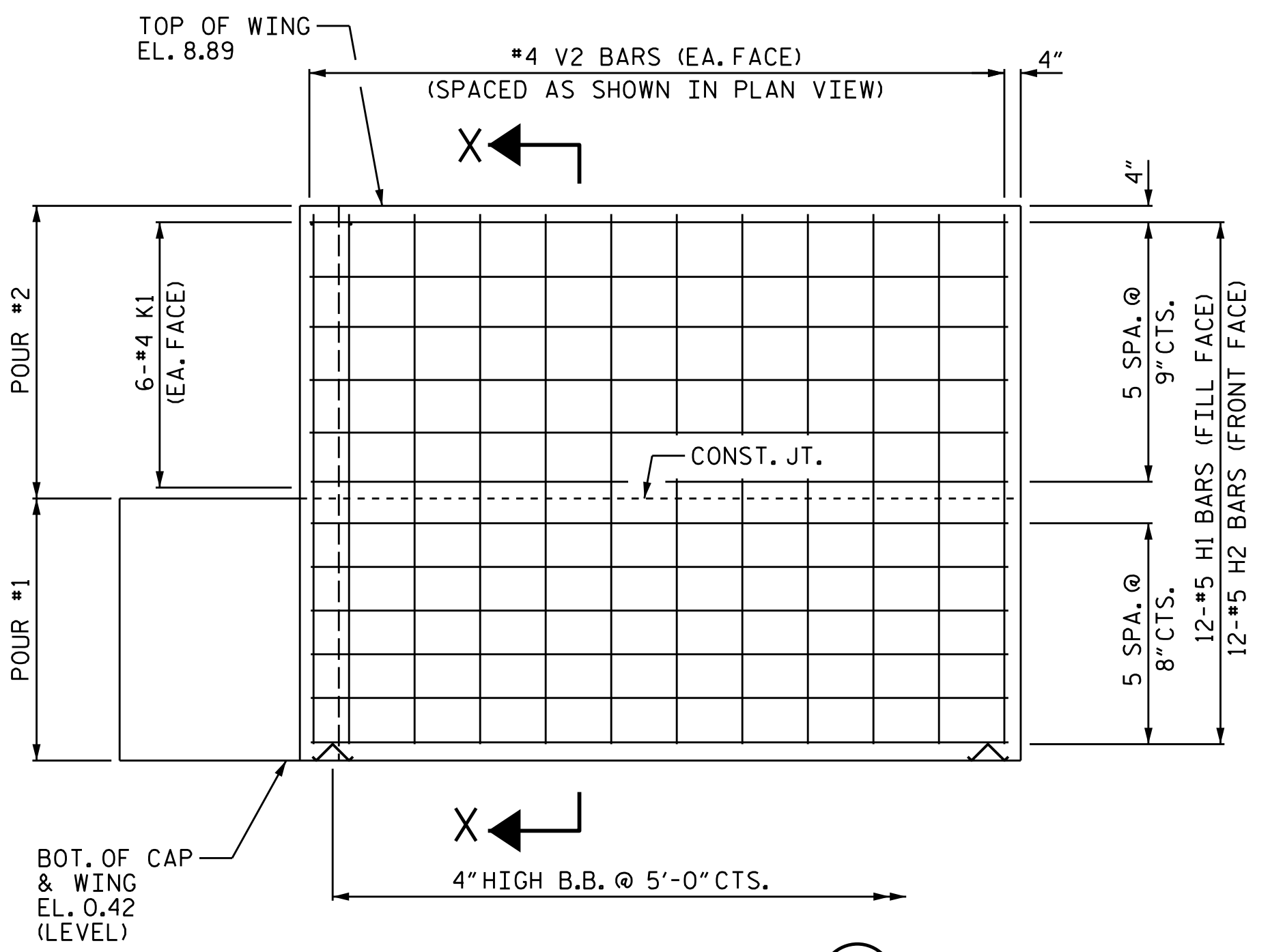


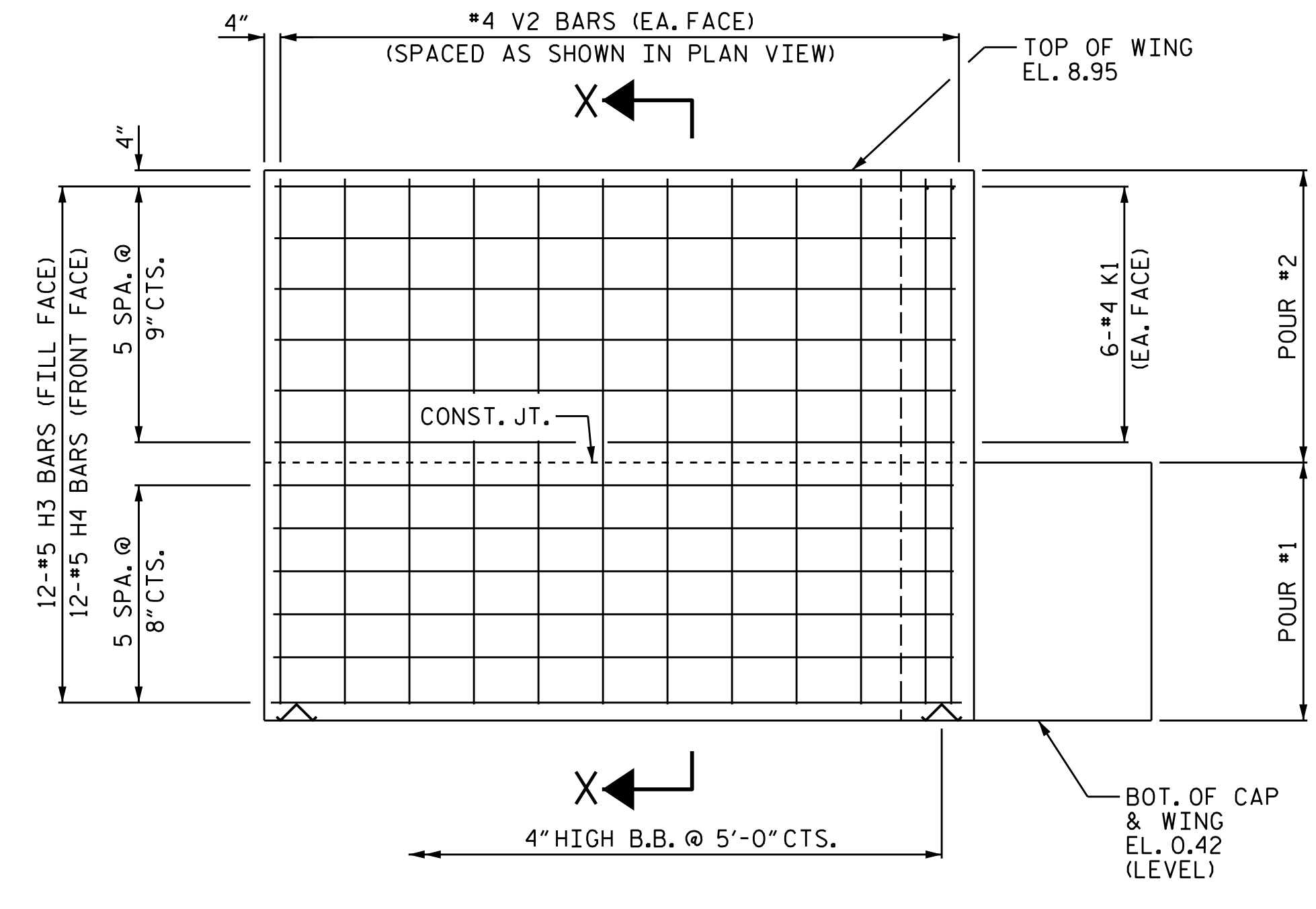
PLAN OF WING (W1)



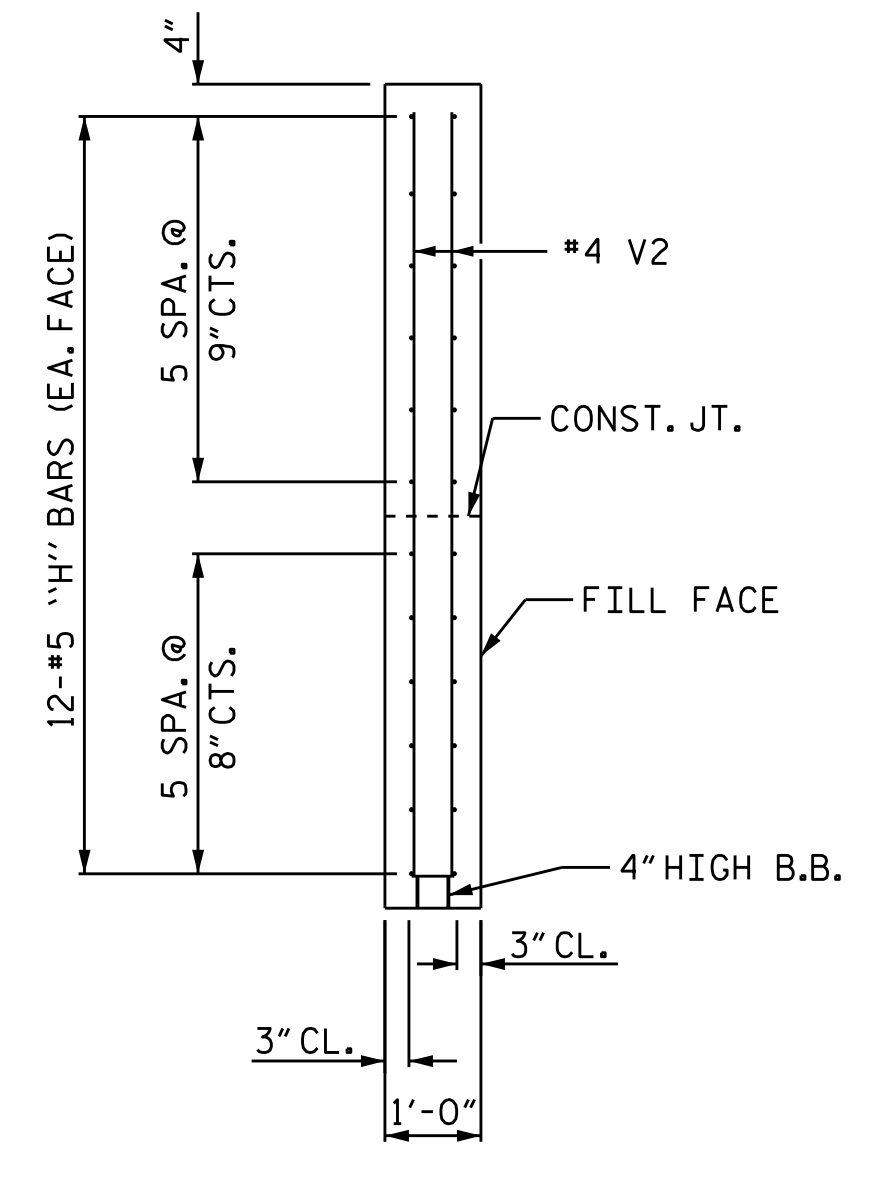
PLAN OF WING (W2)



ELEVATION OF WING (W1)



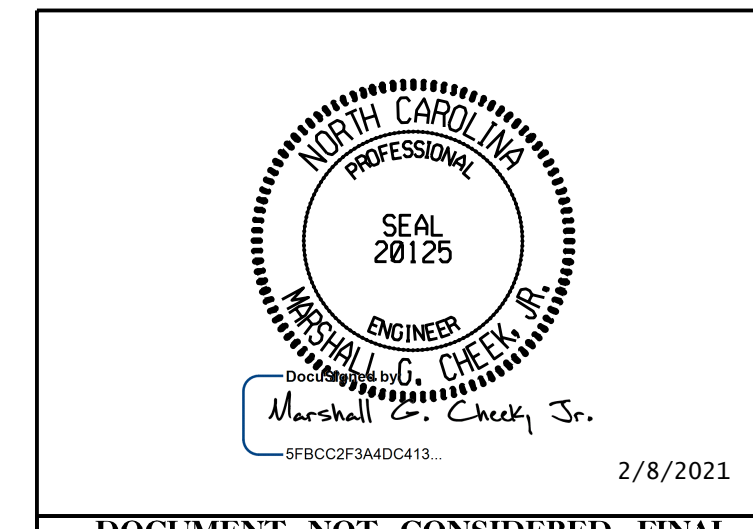
ELEVATION OF WING (W2)



SECTION X-X

PROJECT NO. B-4414
BEAUFORT COUNTY
 STATION: 24+78.90 -L-

SHEET 2 OF 3



STATE OF NORTH CAROLINA
 DEPARTMENT OF TRANSPORTATION
 RALEIGH
 SUBSTRUCTURE
 INTEGRAL
 END BENT 1

DRAWN BY : STM DATE : 09/19
 CHECKED BY : MGC DATE : 12/19
 DESIGN ENGINEER OF RECORD: TBE DATE : 03/20

DOCUMENT NOT CONSIDERED FINAL
 UNLESS ALL SIGNATURES COMPLETED

TGS ENGINEERS
 706 HILLSBOROUGH STREET
 SUITE 200
 RALEIGH, NC 27603
 PH (919) 773-8887
 CORP. LICENSE NO.: C-0275

REVISIONS						SHEET NO.
NO.	BY:	DATE:	NO.	BY:	DATE:	S-21
1			3			TOTAL SHEETS
2			4			33