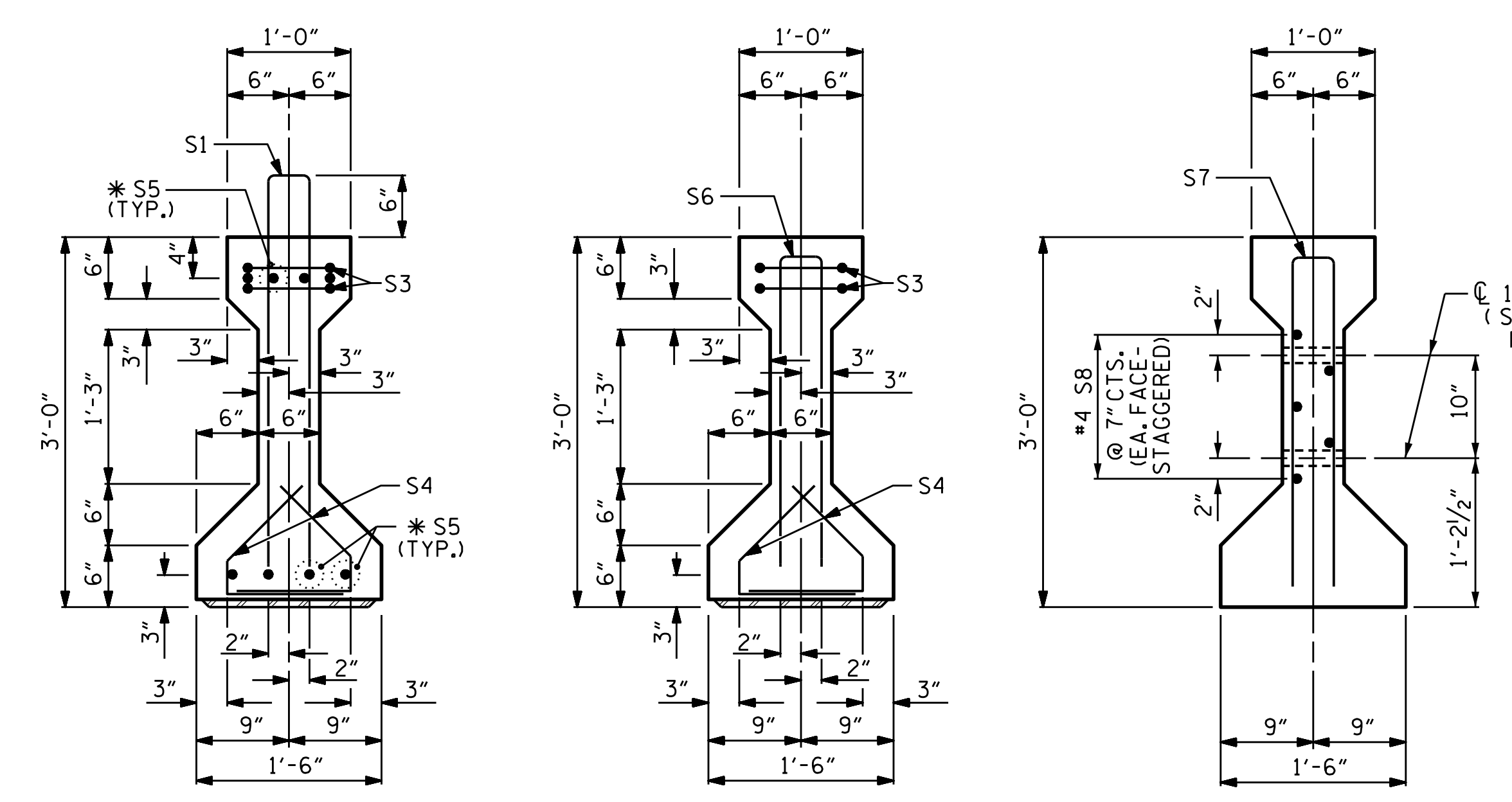
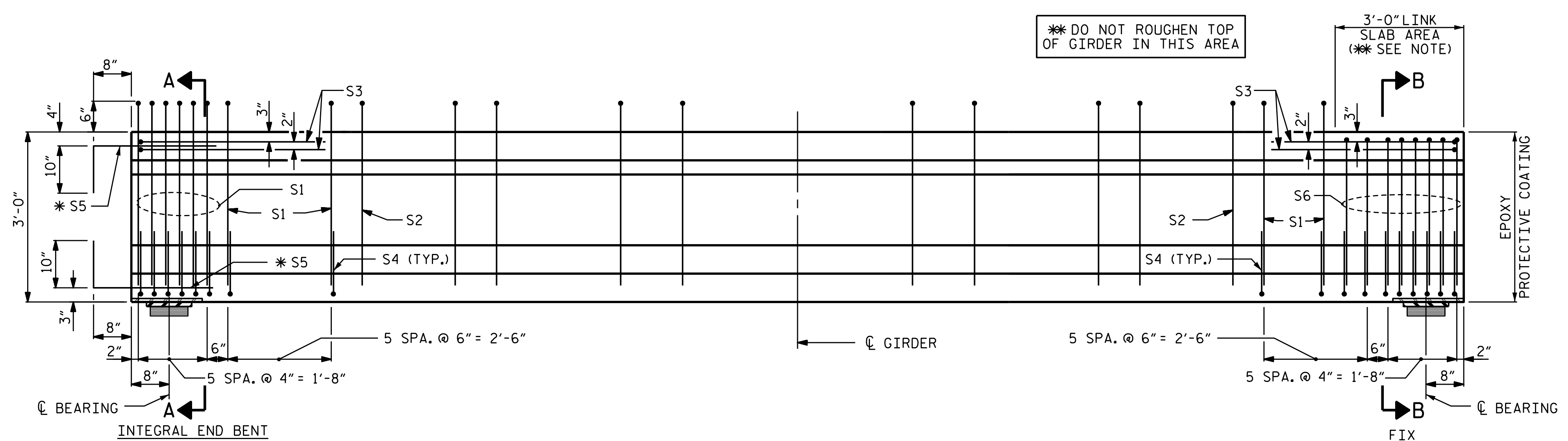
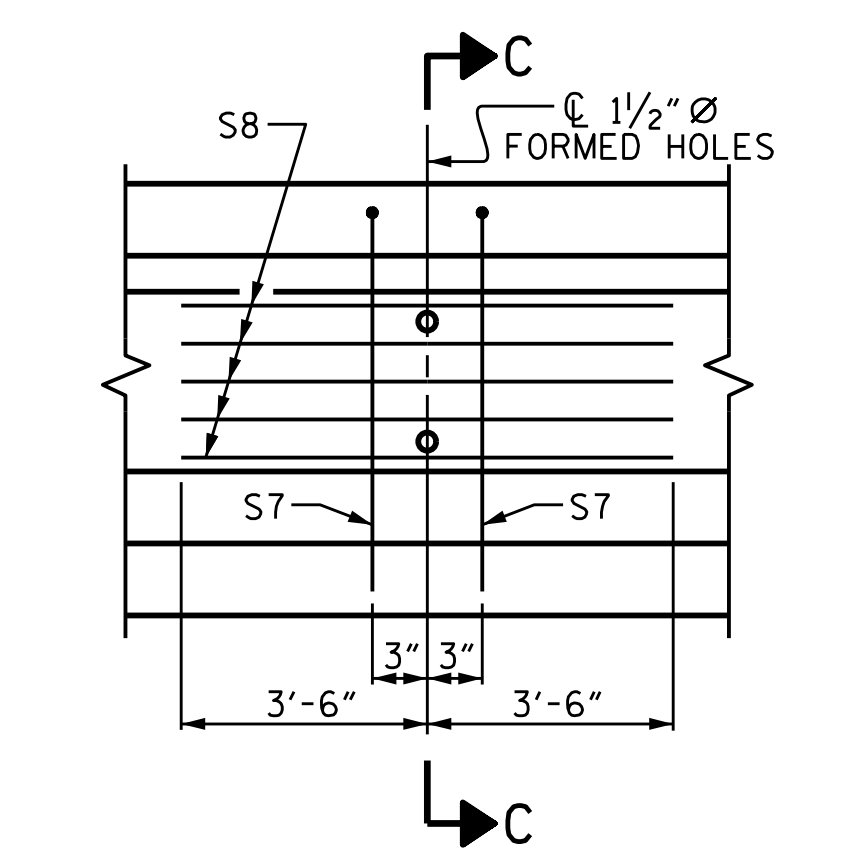
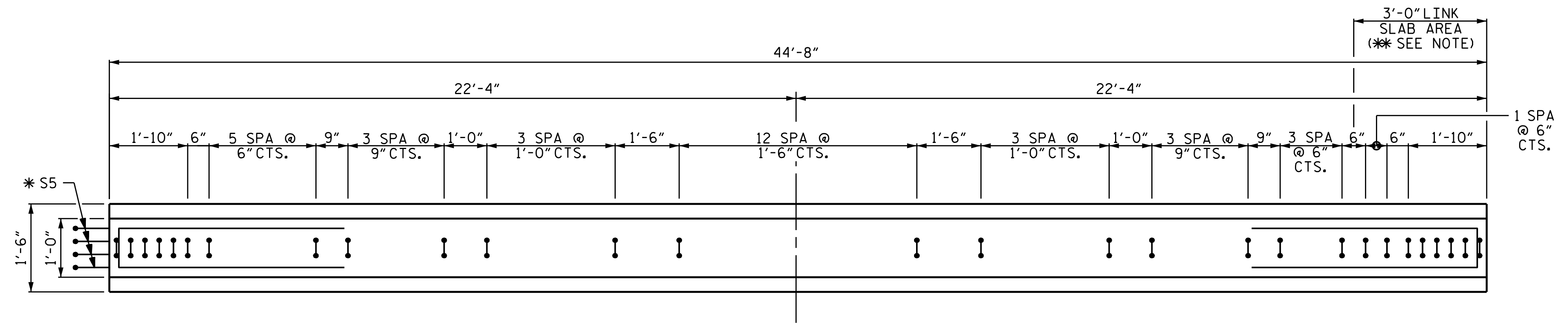


0.6" Ø LOW RELAXATION STRAND LAYOUT

▲ OPTIONAL FULLY DEBONDED STRANDS.



1/2" Ø FORMED HOLE
(SEE FRAMING PLAN FOR LOCATION)



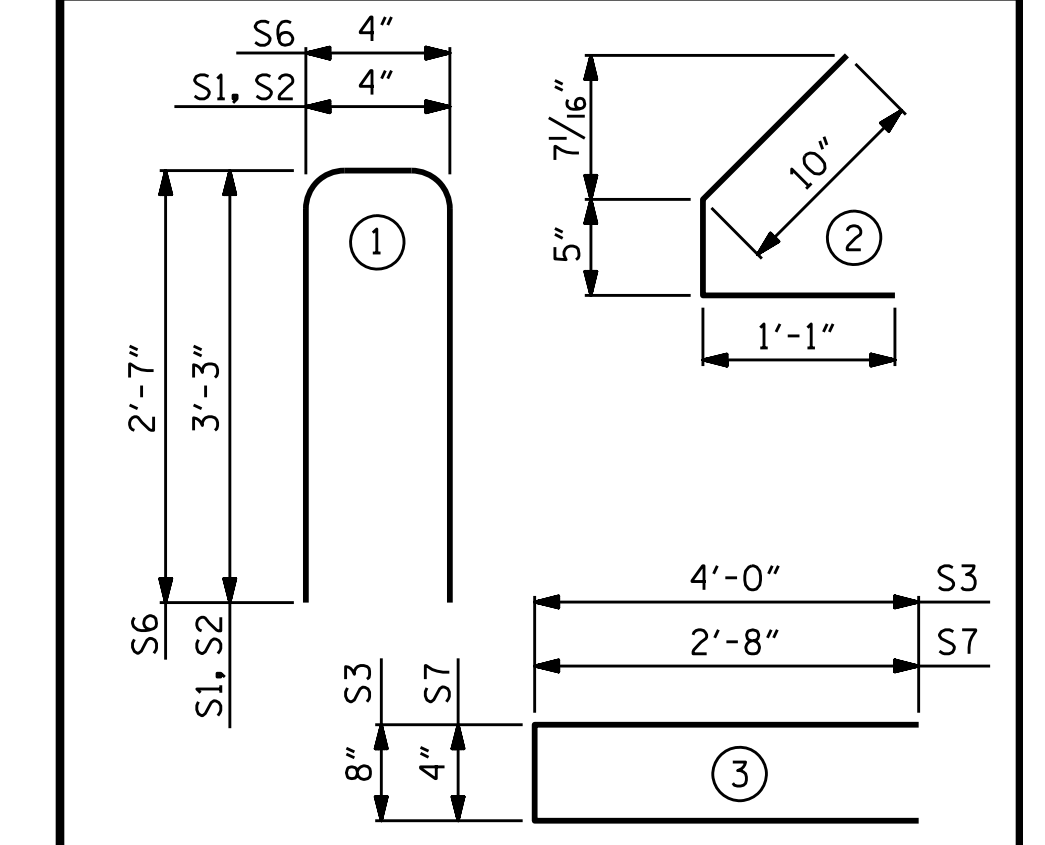
** DO NOT ROUGHEN TOP OF GIRDER IN THIS AREA

0.6" Ø L. R. GRADE 270 STRANDS		
AREA (SQUARE INCHES)	ULTIMATE STRENGTH (LBS. PER STRAND)	APPLIED PRESTRESS (LBS. PER STRAND)
0.217	58,600	43,950

REINFORCING STEEL FOR ONE GIRDER					
BAR	NUMBER	SIZE	TYPE	LENGTH	WEIGHT
S1	16	#5	1	6'-10"	114
S2	29	#4	1	6'-10"	132
S3	4	#4	3	8'-8"	23
S4	48	#4	2	2'-4"	75
* S5	8	#5	STR	3'-8"	31
S6	8	#5	1	5'-6"	46
S7	2	#5	3	5'-8"	12
S8	5	#4	STR	7'-0"	23

* NOTE: S5 BARS SHALL BE BENT BEFORE SHIPMENT. HEAT BENDING SHALL NOT BE ALLOWED.

BAR TYPES
ALL BAR DIMENSIONS ARE OUT-TO-OUT

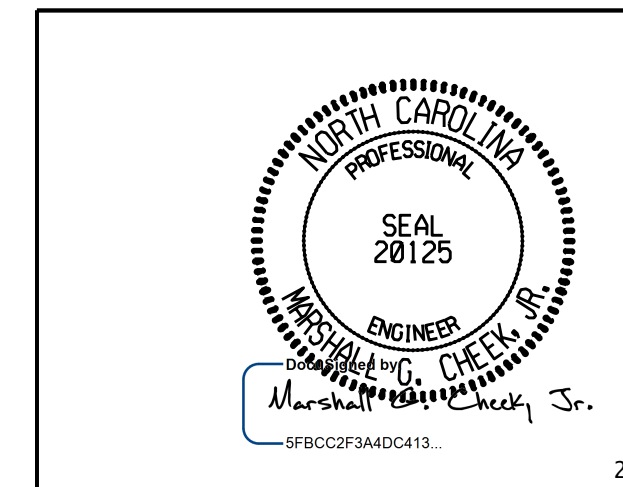


QUANTITIES FOR ONE GIRDER			
REINFORCING STEEL	7500 PSI CONCRETE	0.6" Ø L. R. STRANDS	
		LB.	No.
GIRDERS 1-5	456	4.2	16

GIRDERS REQUIRED		
NUMBER	LENGTH	TOTAL LENGTH
5	44'-8"	223'-4"

PROJECT NO. B-4414
BEAUFORT COUNTY
STATION: 24+78.90 -L-

SHEET 1 OF 5



2/8/2021

DOCUMENT NOT CONSIDERED FINAL UNLESS ALL SIGNATURES COMPLETED

TGS ENGINEERS
706 HILLSBOROUGH STREET
SUITE 200
RALEIGH, NC 27603
PH (919) 773-8887
CORP. LICENSE NO.: C-0275

STATE OF NORTH CAROLINA
DEPARTMENT OF TRANSPORTATION
RALEIGH
STANDARD
AASHTO TYPE II
PRESTRESSED CONCRETE GIRDER
CONTINUOUS FOR LIVE LOAD
SPAN A

REVISIONS						SHEET NO. S-11
NO.	BY:	DATE:	NO.	BY:	DATE:	
1			3			TOTAL SHEETS 33
2			4			

DRAWN BY : STM	DATE : 05/19
CHECKED BY : MGC	DATE : 11/19
DESIGN ENGINEER OF RECORD: TBE	DATE : 03/20
DRAWN BY : ELR 8/91	REV. 10/1/11 MAA/GM
CHECKED BY : GRP 8/91	REV. 1/15 MAA/TMG
	REV. 12/17 MAA/THC