

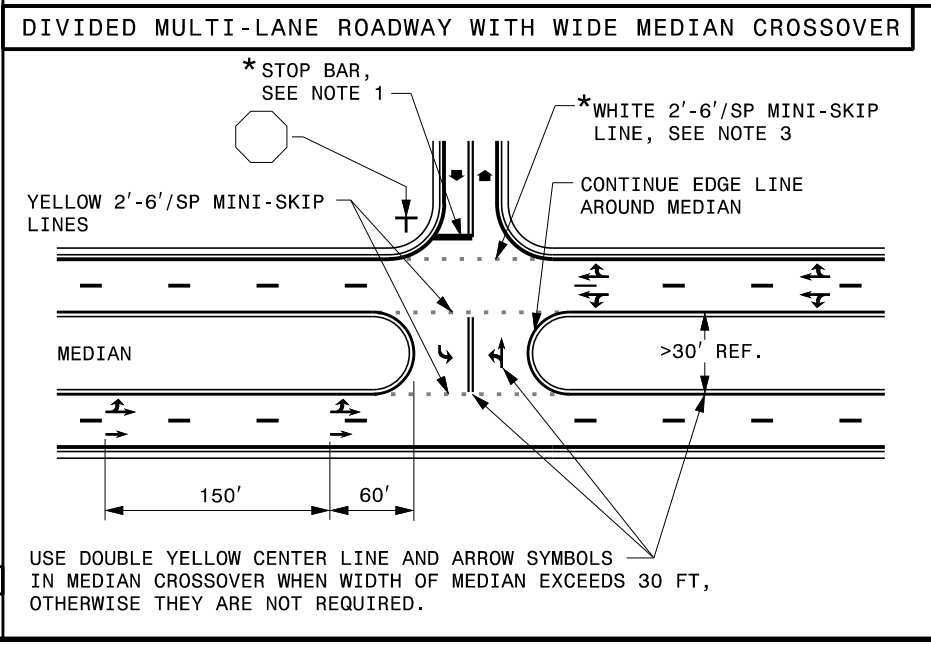
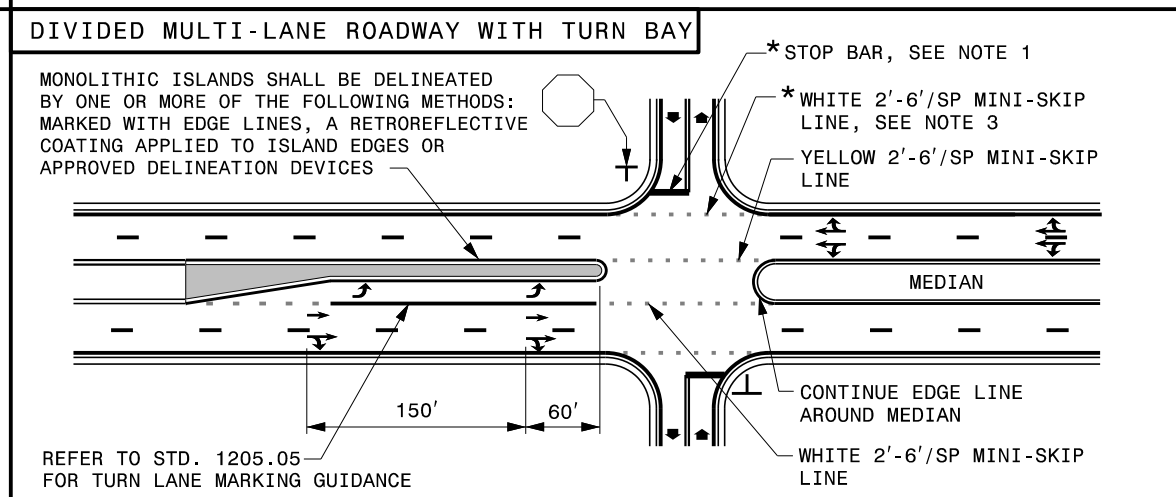
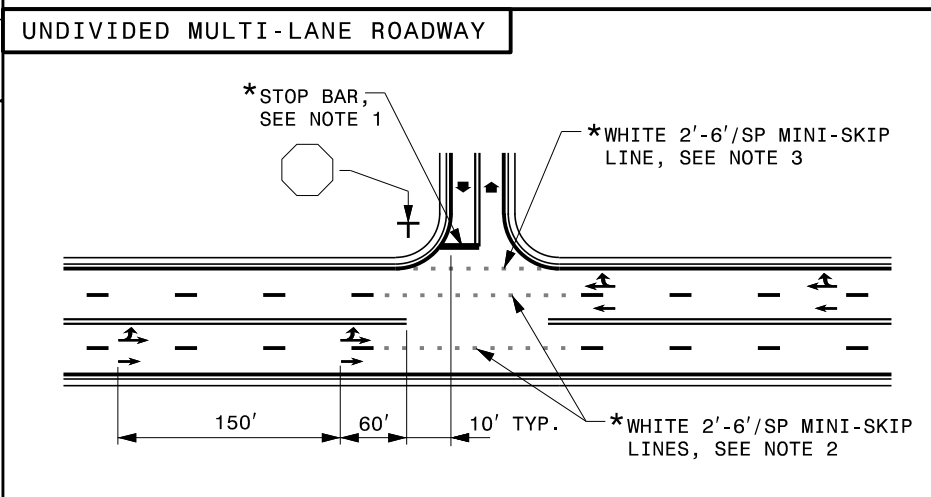
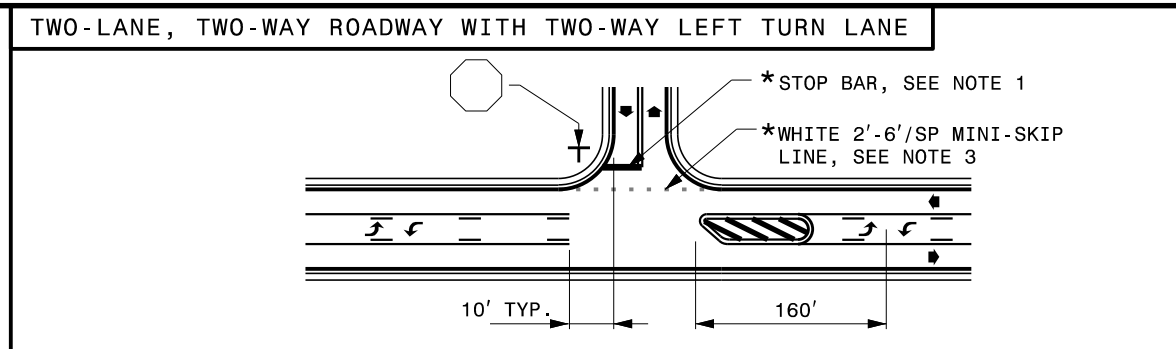
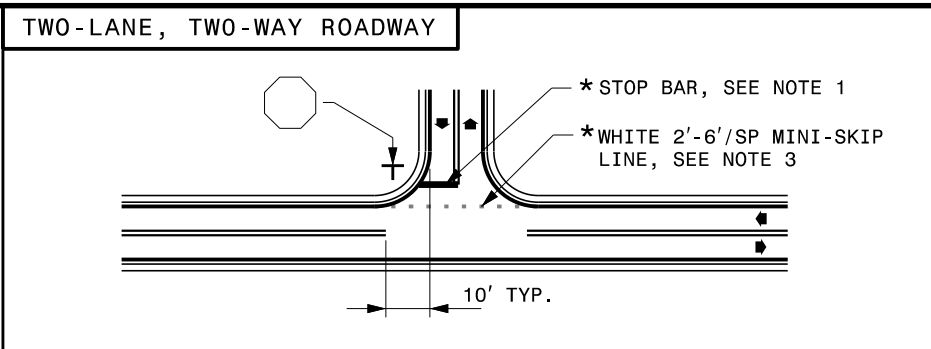
TIP NO. SHEET NO. 201CPT.07  
06.10011  
DocuSigned by: Matthew V. Springer  
APPROVED: 8/13/2019  
DATE: 8/13/2019  
SEAL  
NORTH CAROLINA PROFESSIONAL ENGINEER SEAL 042546 MATTHEW V. SPRINGER

201CPT.07  
06.10011  
PMP-1

STATE OF NORTH CAROLINA DEPT. OF TRANSPORTATION DIVISION OF HIGHWAYS RALEIGH, N.C.

8-19 ENGLISH DETAIL DRAWING FOR PAVEMENT MARKINGS INTERSECTIONS

SHEET 2 OF 2  
**1205D04**



**GENERAL NOTES:**

- 1- PLACEMENT OF STOP BARS AT NON-SIGNALIZED INTERSECTIONS IS OPTIONAL AND USED WHERE IT IS IMPORTANT TO INDICATE THE POINT WHICH VEHICLES ARE REQUIRED TO STOP. PLACE STOP BARS NO LESS THAN 4 FEET AND NO MORE THAN 30 FEET FROM THE NEAREST EDGE OF THE INTERSECTING ROADWAY. USE 10 FEET AS THE TYPICAL SETBACK DISTANCE OR AS DIRECTED BY THE ENGINEER.
- 2- MINI-SKIP LANE LINE EXTENSIONS SHOULD BE USED AT INTERSECTIONS THAT HAVE REDUCED VISIBILITY CONDITIONS SUCH AS OFFSET, SKEWED, OR CURVED ROADWAYS.
- 3- MINI-SKIP EDGE LINE EXTENSIONS MAY BE PLACED THROUGH INTERSECTIONS AND MAJOR DRIVEWAYS.
- 4- REFER TO ROADWAY STANDARD DRAWINGS 1205.01, 1205.02, 1205.05, 1205.08 AND 1205.09 FOR ADDITIONAL PAVEMENT MARKING GUIDANCE.

**LEGEND**

|   |                           |  |                          |
|---|---------------------------|--|--------------------------|
|   | STOP SIGN                 |  | STATIONARY SIGN          |
|   | DIRECTION OF TRAFFIC FLOW |  | PAVEMENT MARKING SYMBOLS |
| * | OPTIONAL                  |  |                          |

SHEET 2 OF 2  
**1205D04**

STATE OF NORTH CAROLINA DEPT. OF TRANSPORTATION DIVISION OF HIGHWAYS RALEIGH, N.C.

8-19 ENGLISH DETAIL DRAWING FOR PAVEMENT MARKINGS INTERSECTIONS

SHEET 2 OF 2  
**1205D04**

**REVISED PAVEMENT MARKING ROADWAY STANDARD DRAWING**

U:\08\13\17\Standards Group\Standards and Drawings\Drawings\2018 Standard Dwg\Division 12 Final\1205D04-08-13-19.dgn User:dstokes