

PAVEMENT SCHEDULE

S SHOULDER GRADING
ASB REQUIRED (EXCEPT AT RESIDENTIAL AREAS)

PROJECT REFERENCE NO.

SHEET NO.

C1 1½" ASPHALT CONCRETE SURFACE COURSE, TYPE S9.5B,
AT AN AVERAGE RATE OF 165 LBS. PER SQ. YD.

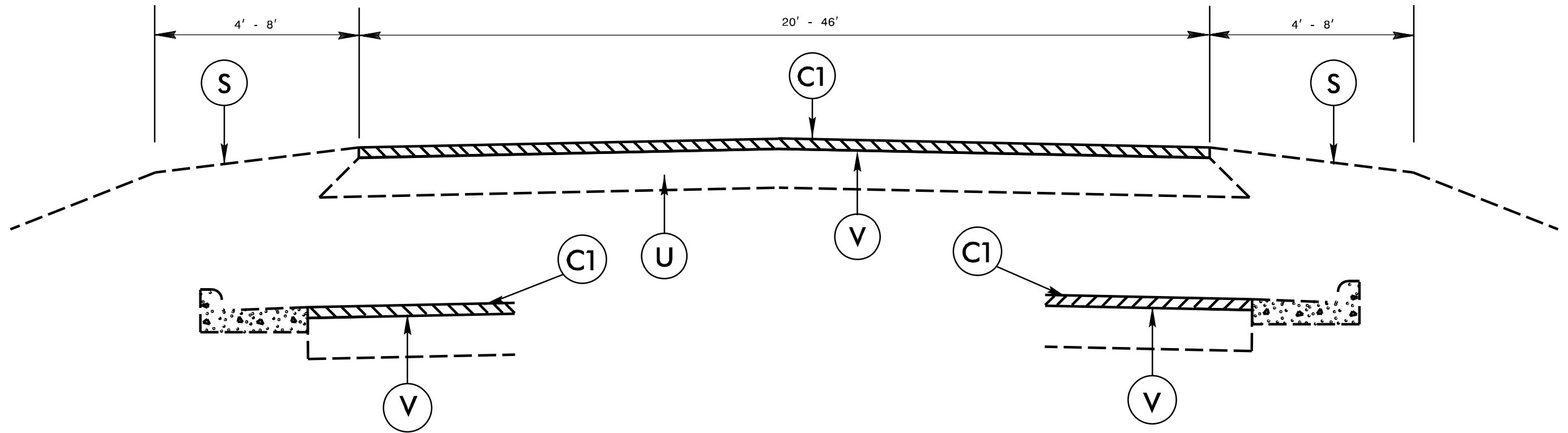
U EXISTING PAVEMENT

2021CPT.05.26.20911.1, etc.

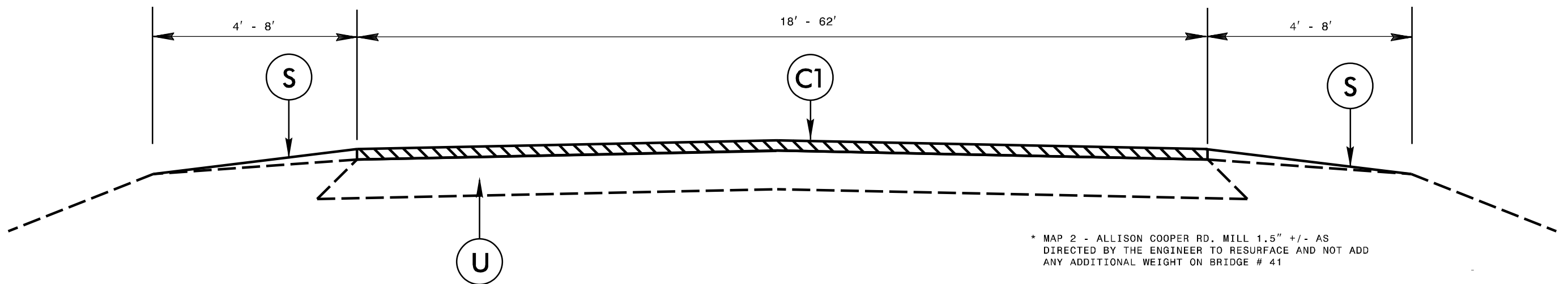
6

C2 1¼" ASPHALT CONCRETE SURFACE COURSE, TYPE S9.5B,
AT AN AVERAGE RATE OF 137,5 LBS. PER SQ. YD.

V 1½" MILLING



TYPICAL SECTION NO. 1



TYPICAL SECTION NO. 2

* MAP 2 - ALLISON COOPER RD. MILL 1.5" +/- AS DIRECTED BY THE ENGINEER TO RESURFACE AND NOT ADD ANY ADDITIONAL WEIGHT ON BRIDGE # 41