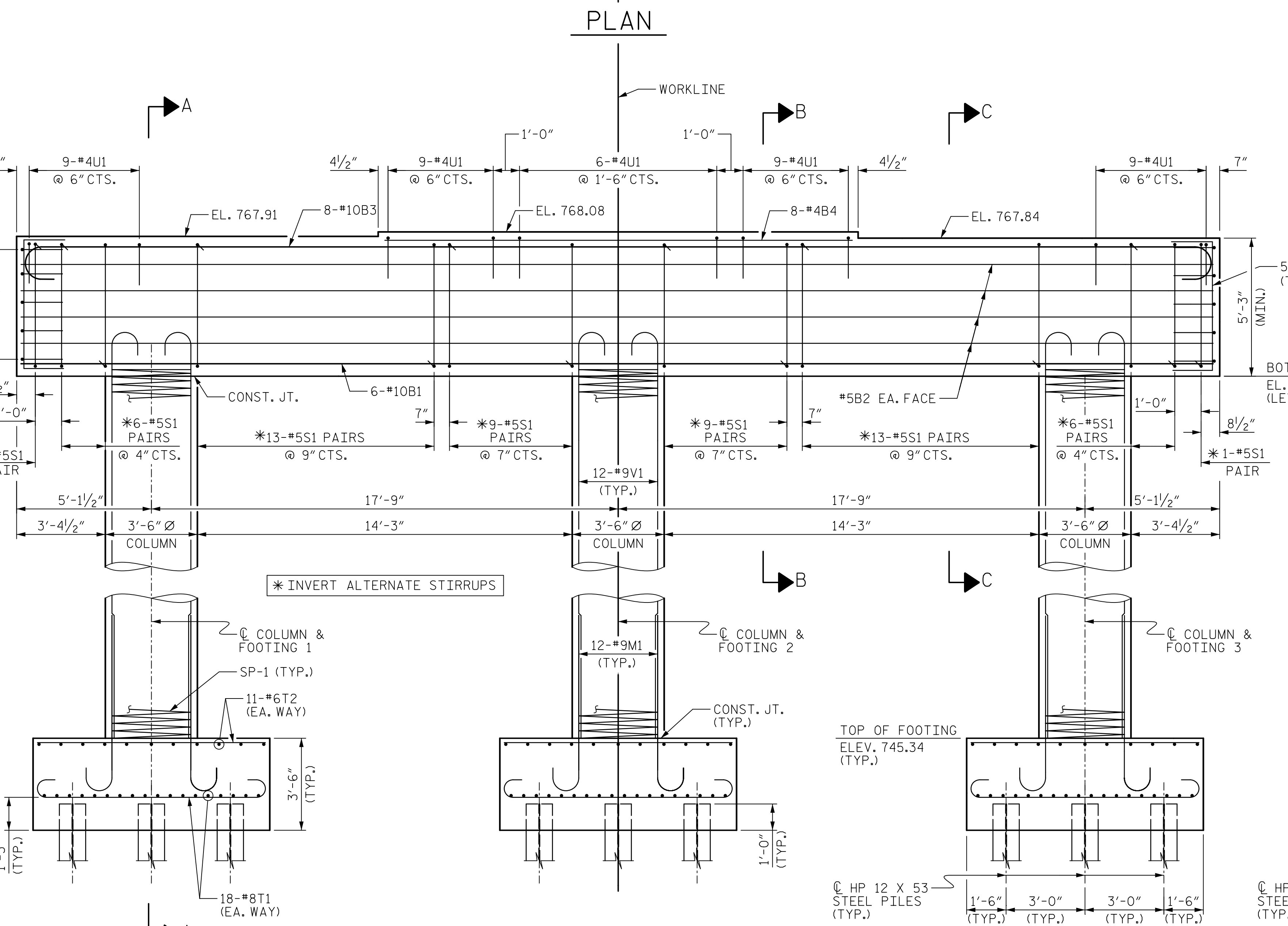
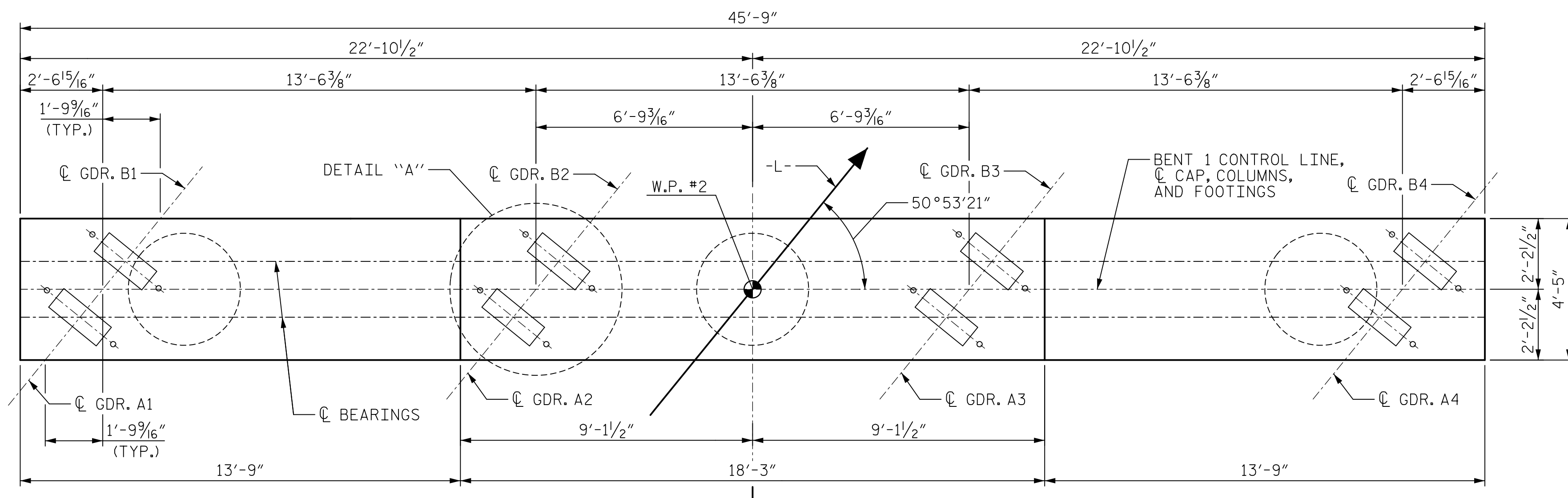


DATE: 5/27/2020
TIME: 12:57:41 PM

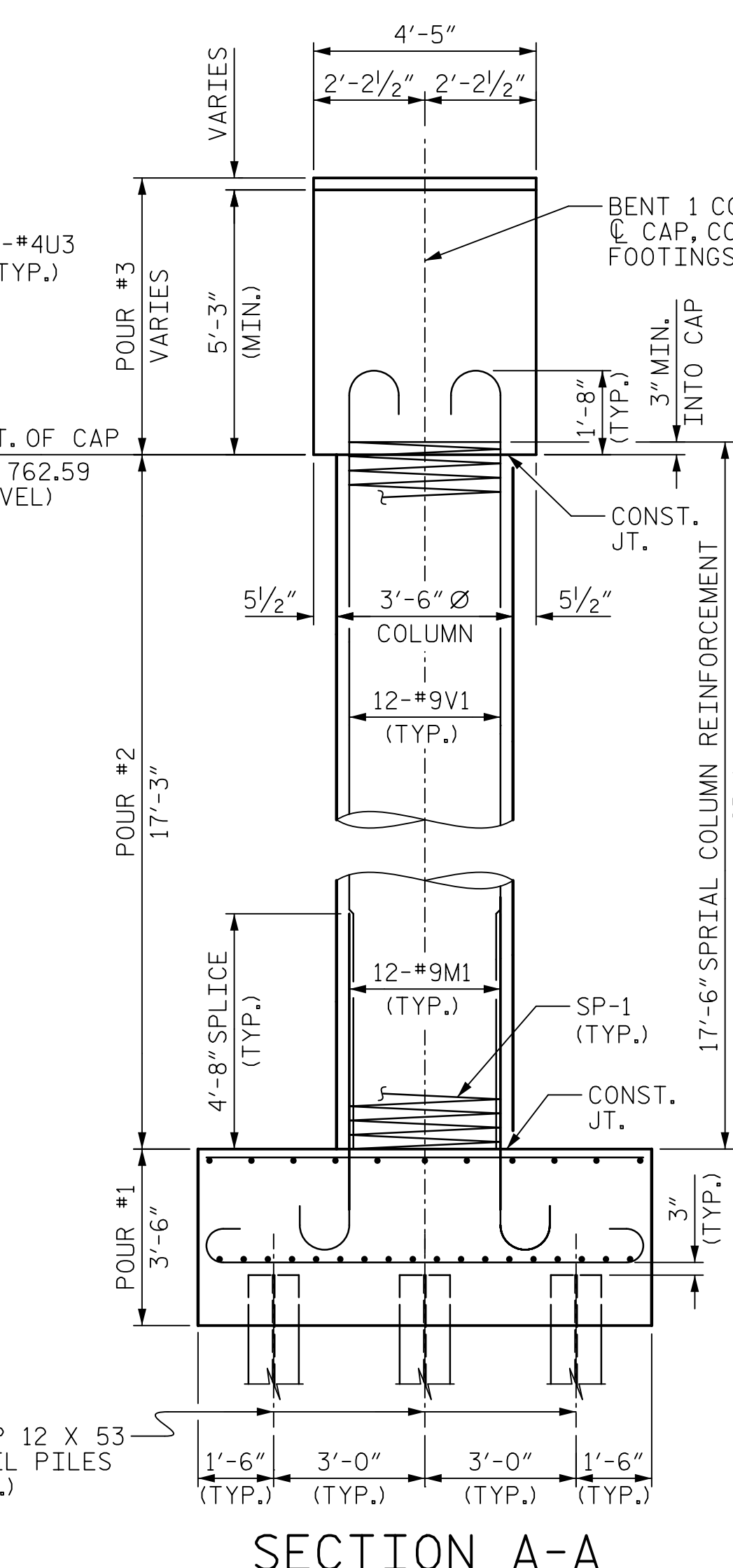
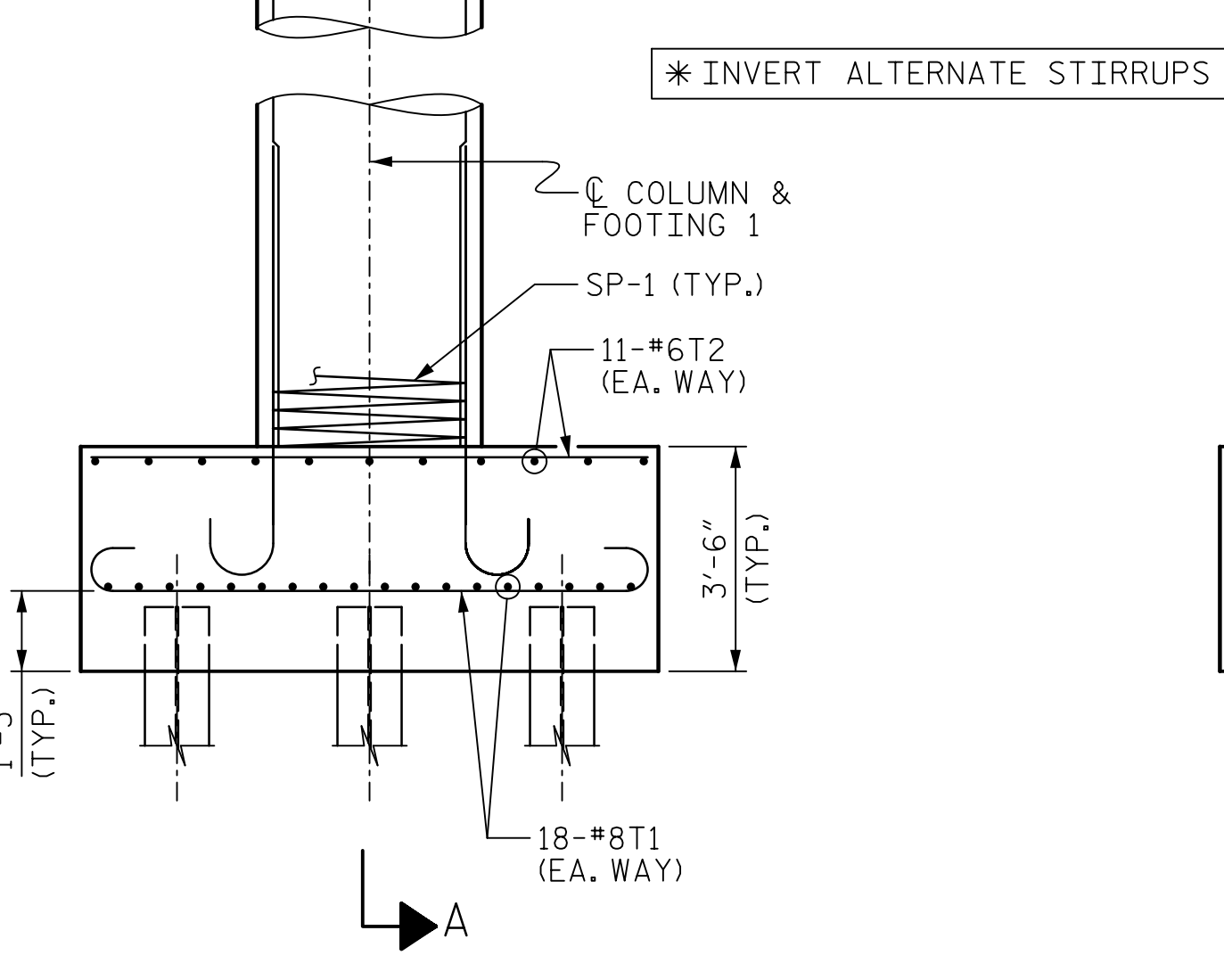
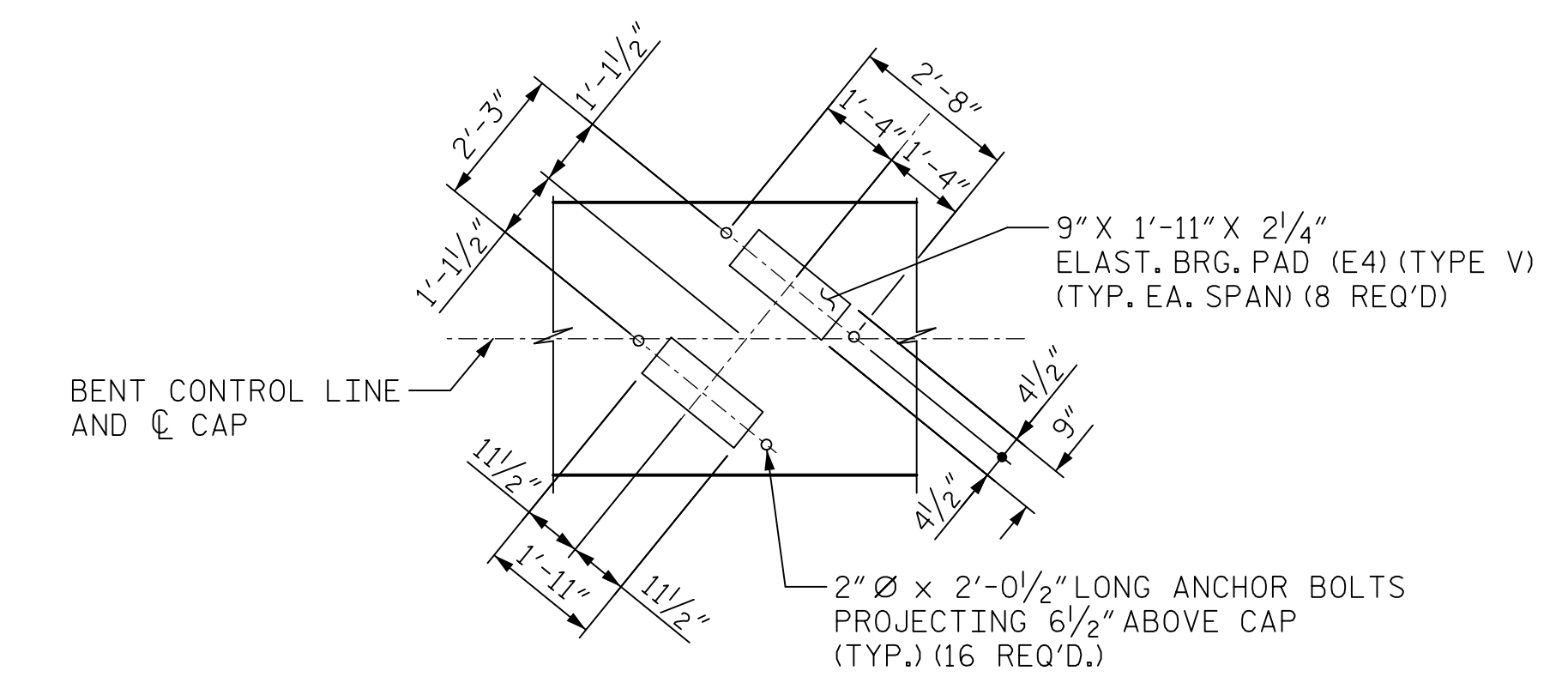
USER: nusrat@p001\Users\nusrat\Projects\60571086 - BR-0042\900_CAD\015\910_CAD\01_TIP\Structures\04_Drawings\004_41_S21_BR-0042_S1K1_B1.dgn



SPAN B

SPAN A

NOTES:
 STIRRUPS IN CAP MAY BE SHIFTED AS NECESSARY TO CLEAR ANCHOR BOLTS.
 HOOKS ON "V" BARS MAY BE TURNED AS NECESSARY FOR PLACING REINFORCING STEEL.



PROJECT NO. BR-0042
ROCKINGHAM COUNTY
 STATION: 19+56.99 -L-

SHEET 1 OF 2

AECOM
 AECOM TECHNICAL SERVICES OF NC, INC.
 701 CORPORATE CENTER DRIVE, SUITE 475
 RALEIGH, NC 27607
 (919) 854-6200 www.aecom.com
 AECOM License No. F-0342

Designed by:
John C. Morrison
 NORTH CAROLINA PROFESSIONAL ENGINEER
 SEAL 030474
 JOHN C. MORRISON
 5/27/2020

STATE OF NORTH CAROLINA DEPARTMENT OF TRANSPORTATION RALEIGH					
SUBSTRUCTURE					
BENT 1					
REVISIONS					
NO.	BY:	DATE:	NO.	BY:	DATE:
1			3		
2			4		
SHEET NO. S-21					TOTAL SHEETS 28

DRAWN BY : H.T. ROSEMOND DATE : 07/2019
 CHECKED BY : J.C. MORRISON DATE : 07/2019
 DESIGNED BY : D. RITACCO DATE : 07/2019
 DESIGN CHECKED BY : J.C. MORRISON DATE : 07/2019

DOCUMENT NOT CONSIDERED
 FINAL UNLESS ALL
 SIGNATURES COMPLETED