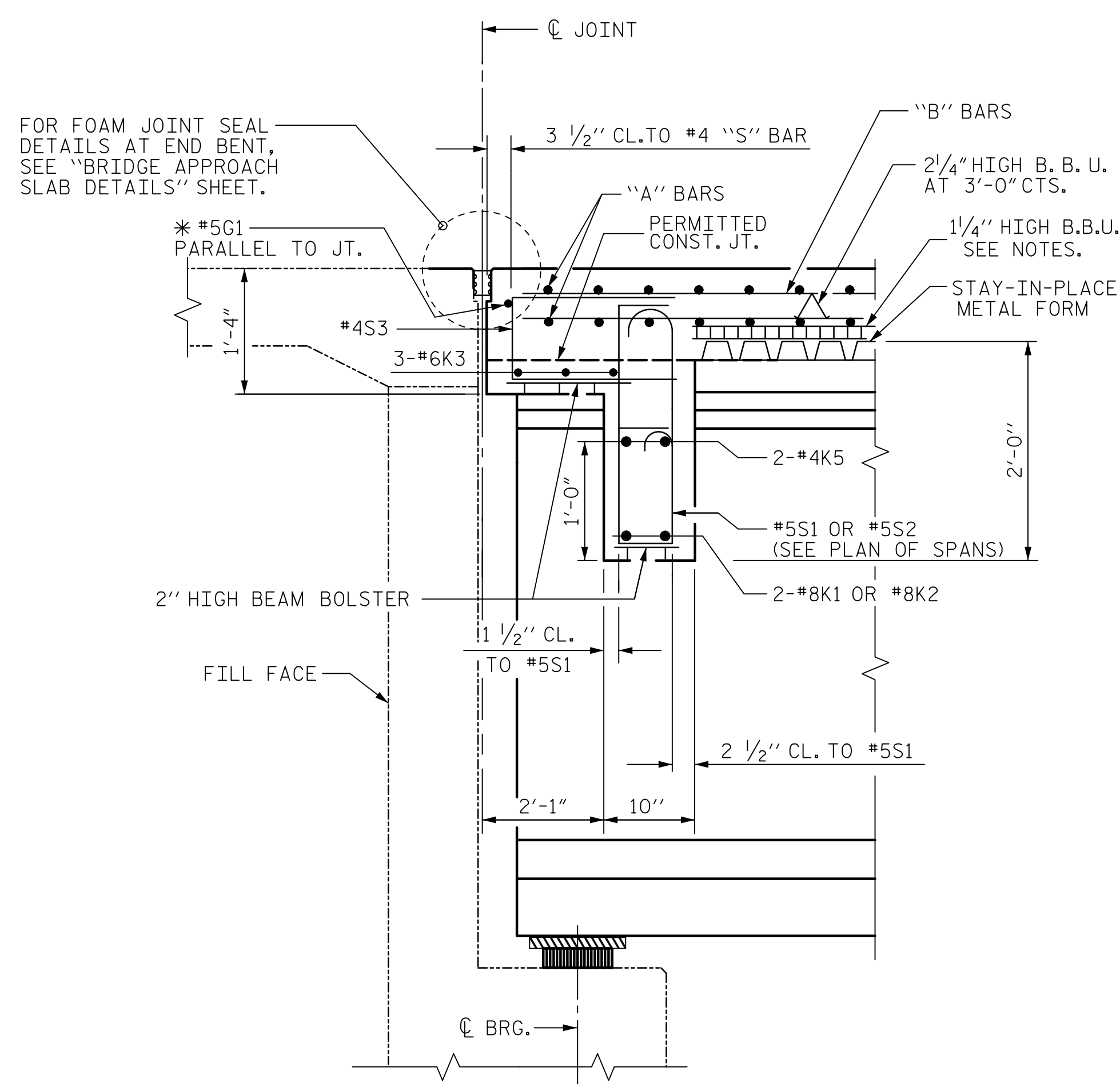


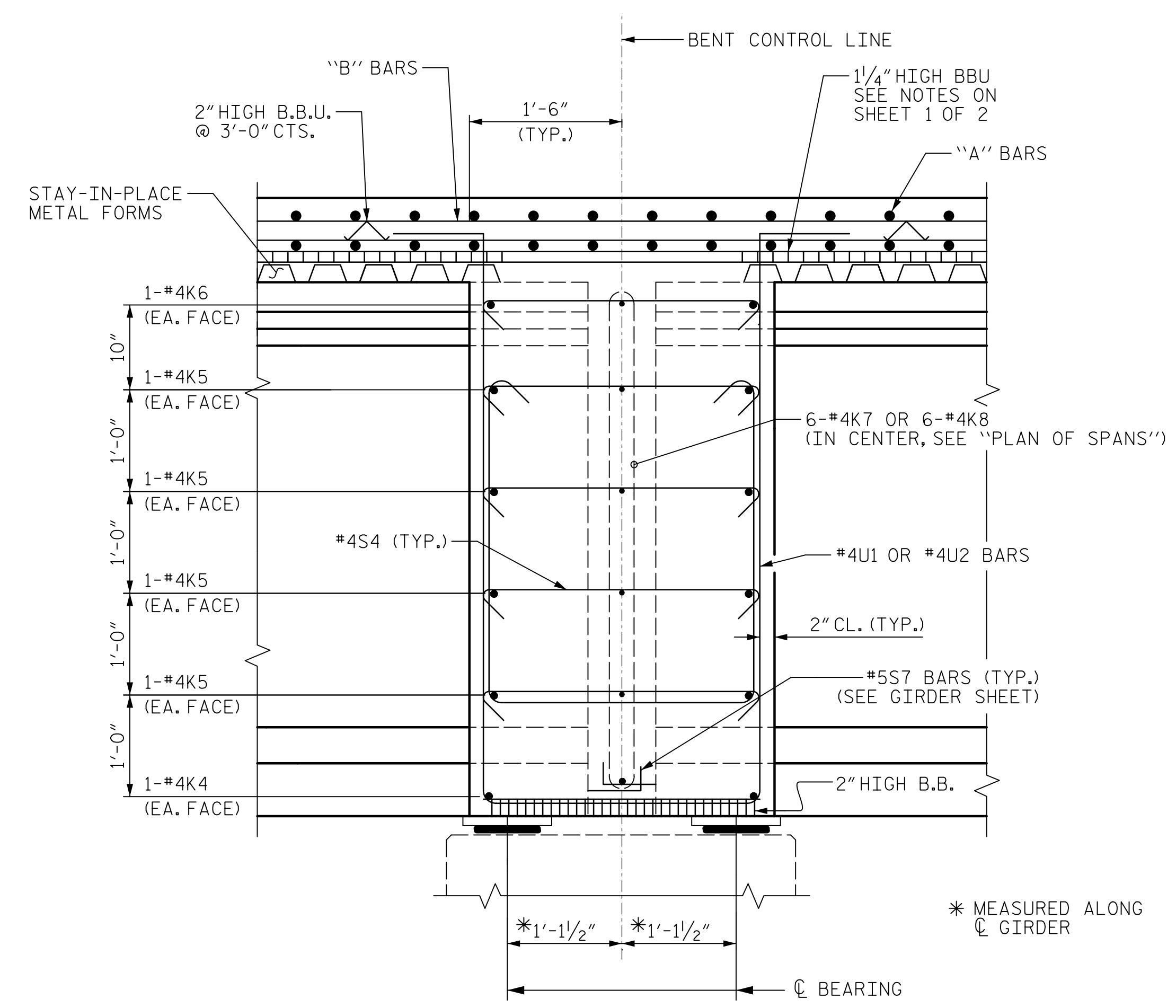
DATE: 5/27/2019
TIME: 12:55:25 PM

USER: nusrat@p001\Users\nusrat\Projects\60571086 - BR-0042\Bridges\CAD\6151910_CAD\JOINT_TIP\Structures\04 Drawings\001_506_BR-0042_5M\1_T2.dgn



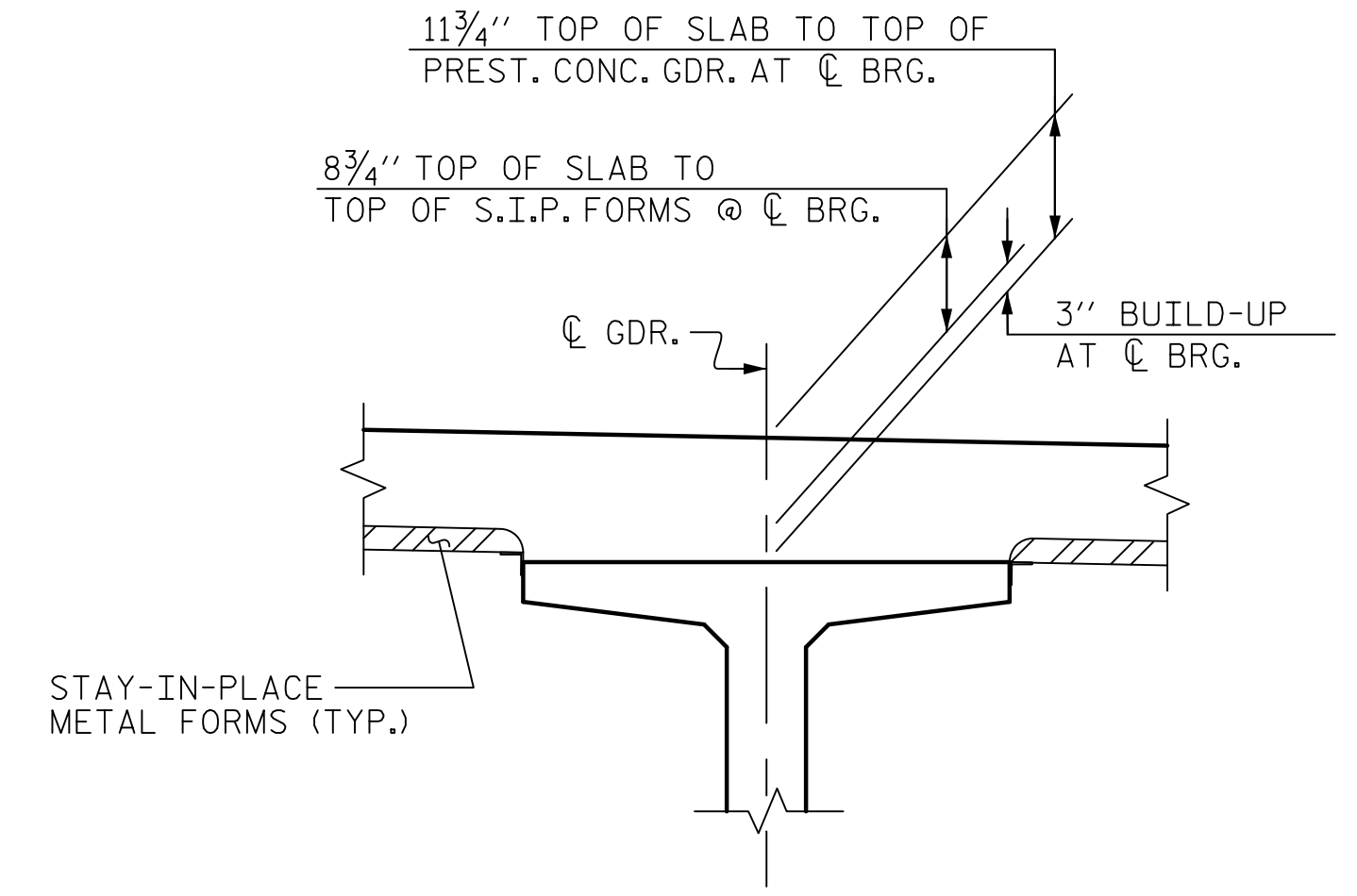
SECTION THRU END BENT DIAPHRAGMS

* #5G1 MAY BE SHIFTED SLIGHTLY AS NECESSARY TO CLEAR REINFORCING STEEL AND STIRRUPS.

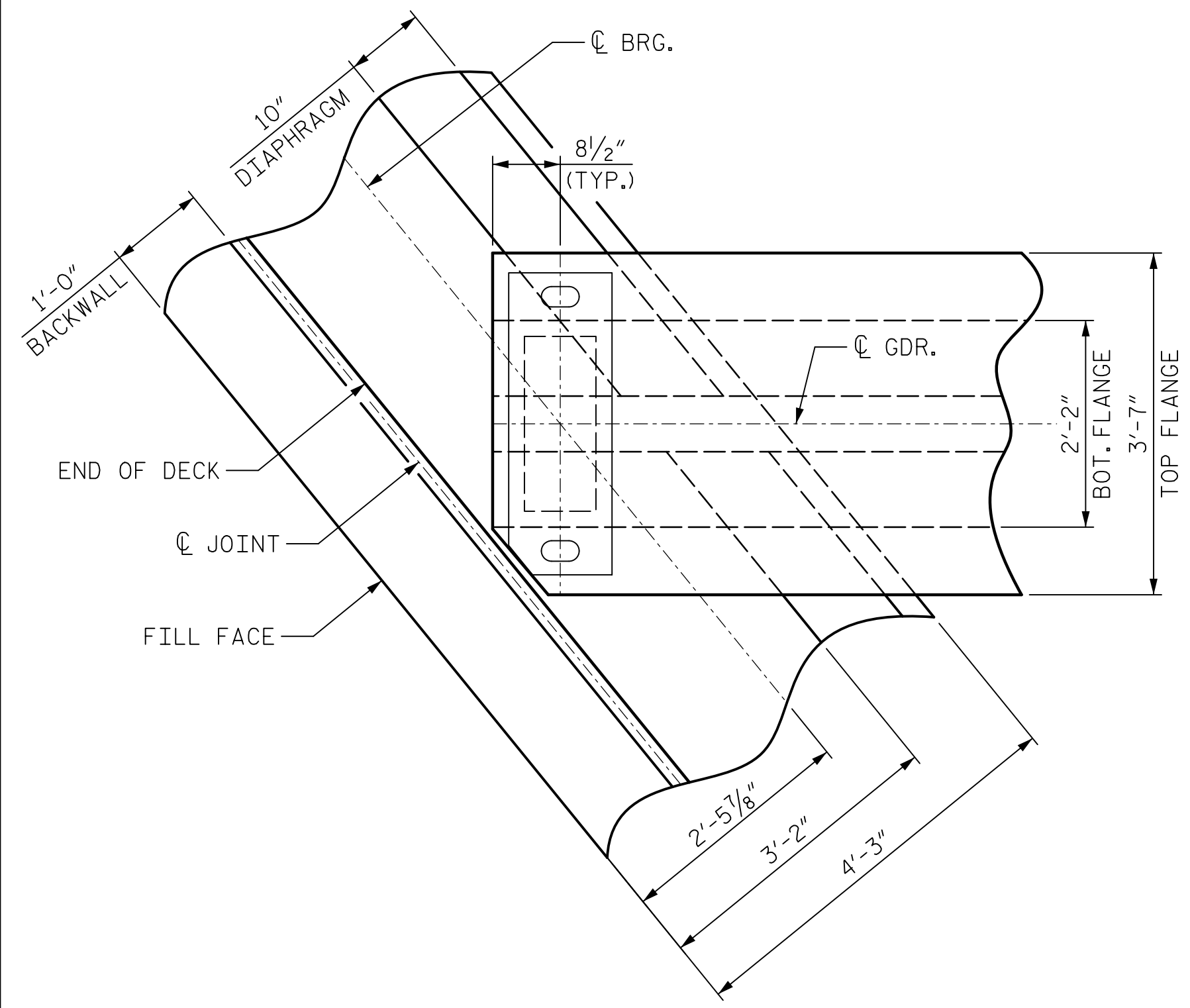


SECTION THRU BENT DIAPHRAGM

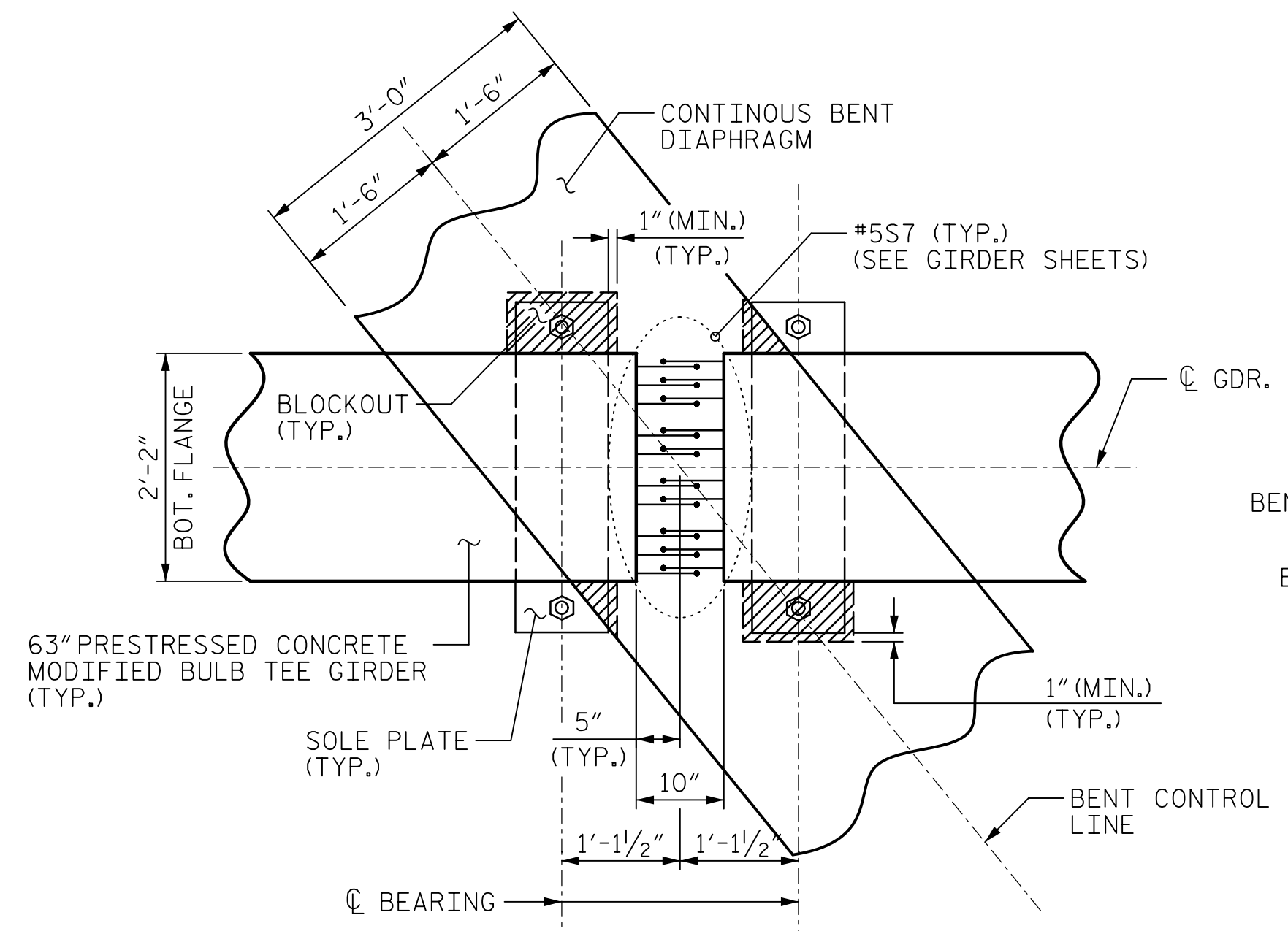
(SECTION NORMAL TO BENT DIAPHRAGM)



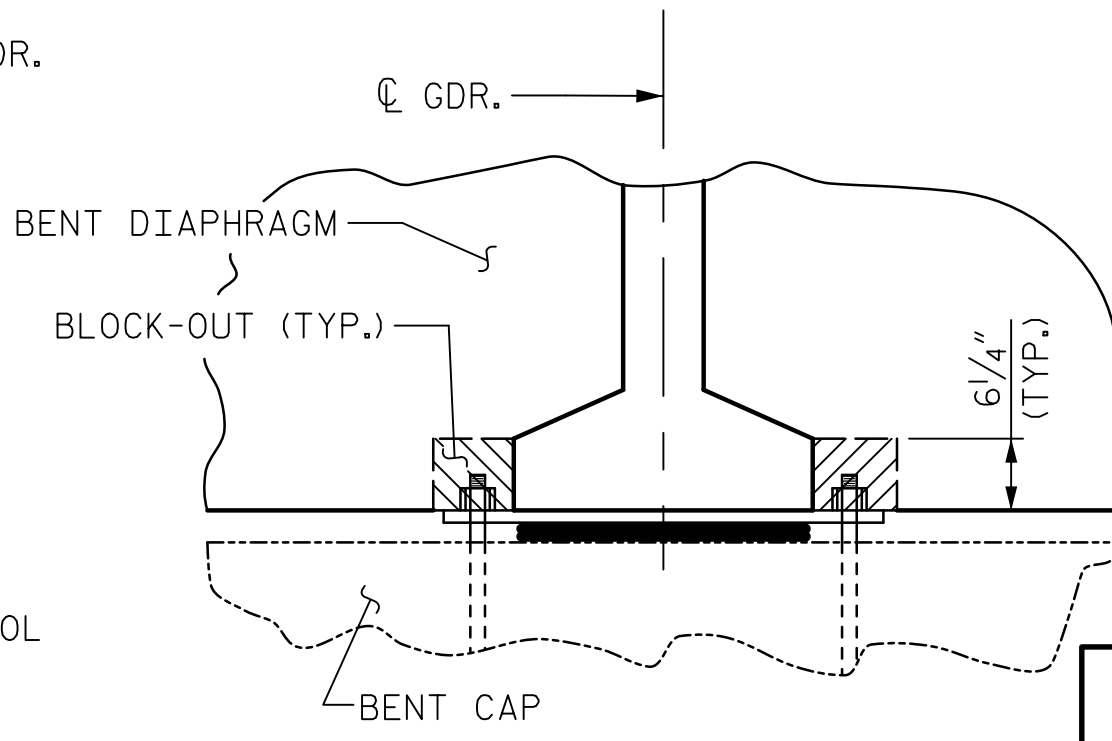
DETAIL "A"
(TYP. EA. GIRDER)



PLAN OF GIRDER AT END BENT DIAPHRAGM



PLAN

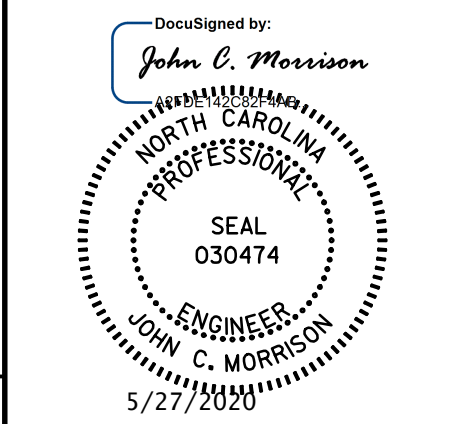


SECTION

BENT DIAPHRAGM BLOCK-OUT DETAIL

PROJECT NO. BR-0042
ROCKINGHAM COUNTY
 STATION: 19+56.99 -L-

SHEET 2 OF 2



STATE OF NORTH CAROLINA
 DEPARTMENT OF TRANSPORTATION
 RALEIGH
 SUPERSTRUCTURE
 TYPICAL SECTION DETAILS

DRAWN BY : T.B. STUMP	DATE : 05/2019
CHECKED BY : J.C. MORRISON	DATE : 05/2019
DESIGNED BY : T.B. STUMP	DATE : 05/2019
DESIGN CHECKED BY : J.C. MORRISON	DATE : 05/2019

DOCUMENT NOT CONSIDERED
 FINAL UNLESS ALL
 SIGNATURES COMPLETED

REVISIONS						SHEET NO.
NO.	BY:	DATE:	NO.	BY:	DATE:	S-06
1			3			TOTAL SHEETS
2			4			28