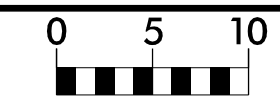


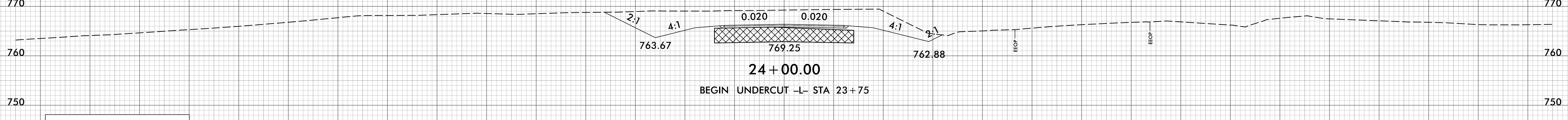
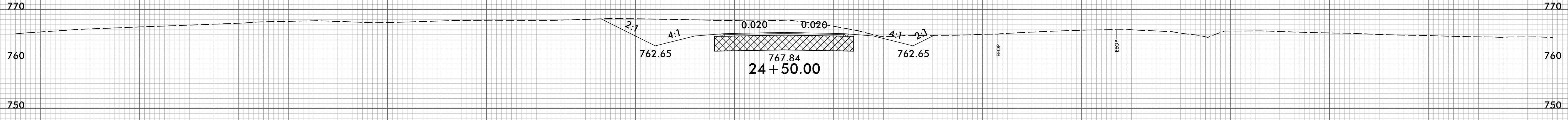
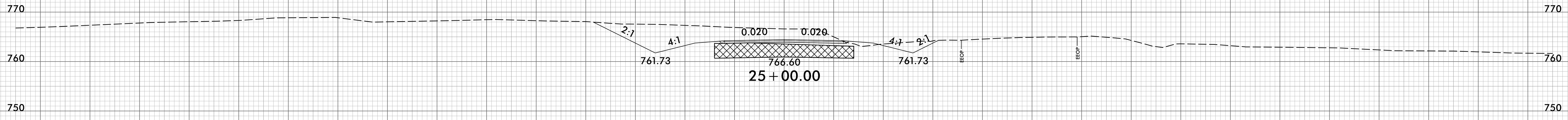
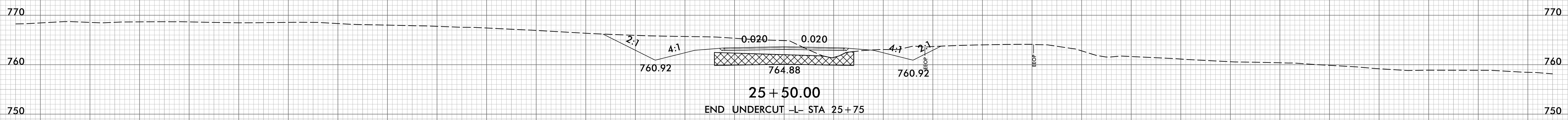
6/23/16



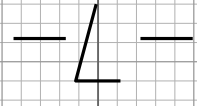
PROJ. REFERENCE NO.
BR-0042

SHEET NO.
X-11

150 140 130 120 110 100 90 80 70 60 50 40 30 20 10 0 10 20 30 40 50 60 70 80 90 100 110 120 130 140 150



PROPOSED UNDERCUT



150 140 130 120 110 100 90 80 70 60 50 40 30 20 10 0 10 20 30 40 50 60 70 80 90 100 110 120 130 140 150

2/2/2019
I:\Roadway\CorridorModeling\BR-0042_Rdy_XPL_L.dgn
Tmk\102