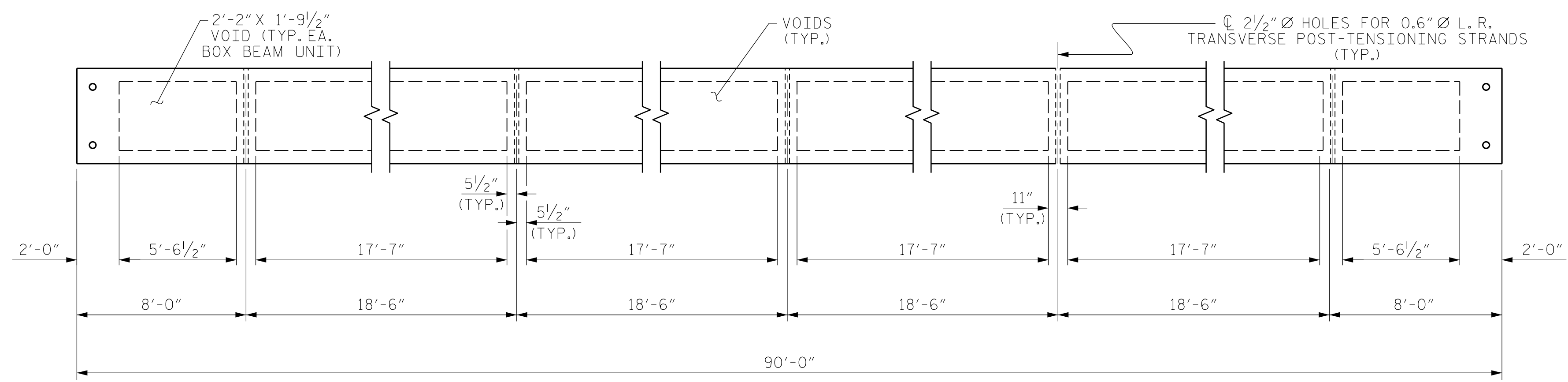


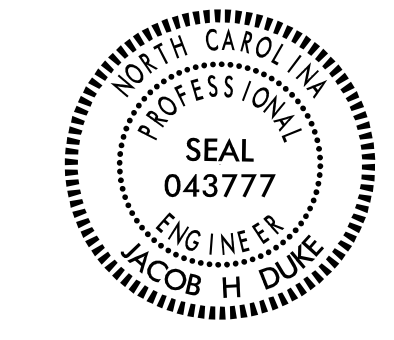
PLAN OF UNIT



DIAPHRAGM AND VOID LAYOUT

PROJECT NO. BR-0119
 PITT COUNTY
 STATION: 13+34.00 -L-

SHEET 2 OF 5



STATE OF NORTH CAROLINA
 DEPARTMENT OF TRANSPORTATION
 RALEIGH
 PLAN OF 90' UNIT
 30'-10" CLEAR ROADWAY
 90° SKEW
 SPAN 'A'

DESIGN ENGINEER OF RECORD: JACOB H. DUKE DATE: 12/2019	
ASSEMBLED BY: FIDEL L. FLORES DATE: 12/2019	CHECKED BY: DIEGO A. AGUIRRE DATE: 12/2019
DRAWN BY: DGE 8/10	REV. 8/14 MAA/TMG
CHECKED BY: TMG 11/11	

DOCUMENT NOT CONSIDERED
 FINAL UNLESS ALL
 SIGNATURES COMPLETED

REVISIONS						SHEET NO.
NO.	BY:	DATE:	NO.	BY:	DATE:	S-5
1			3			TOTAL SHEETS
2			4			15

301 FAYETTEVILLE ST., SUITE 1500
 RALEIGH, NC 27601 (919) 882-7839
 NC FIRM LICENSE: C-1506