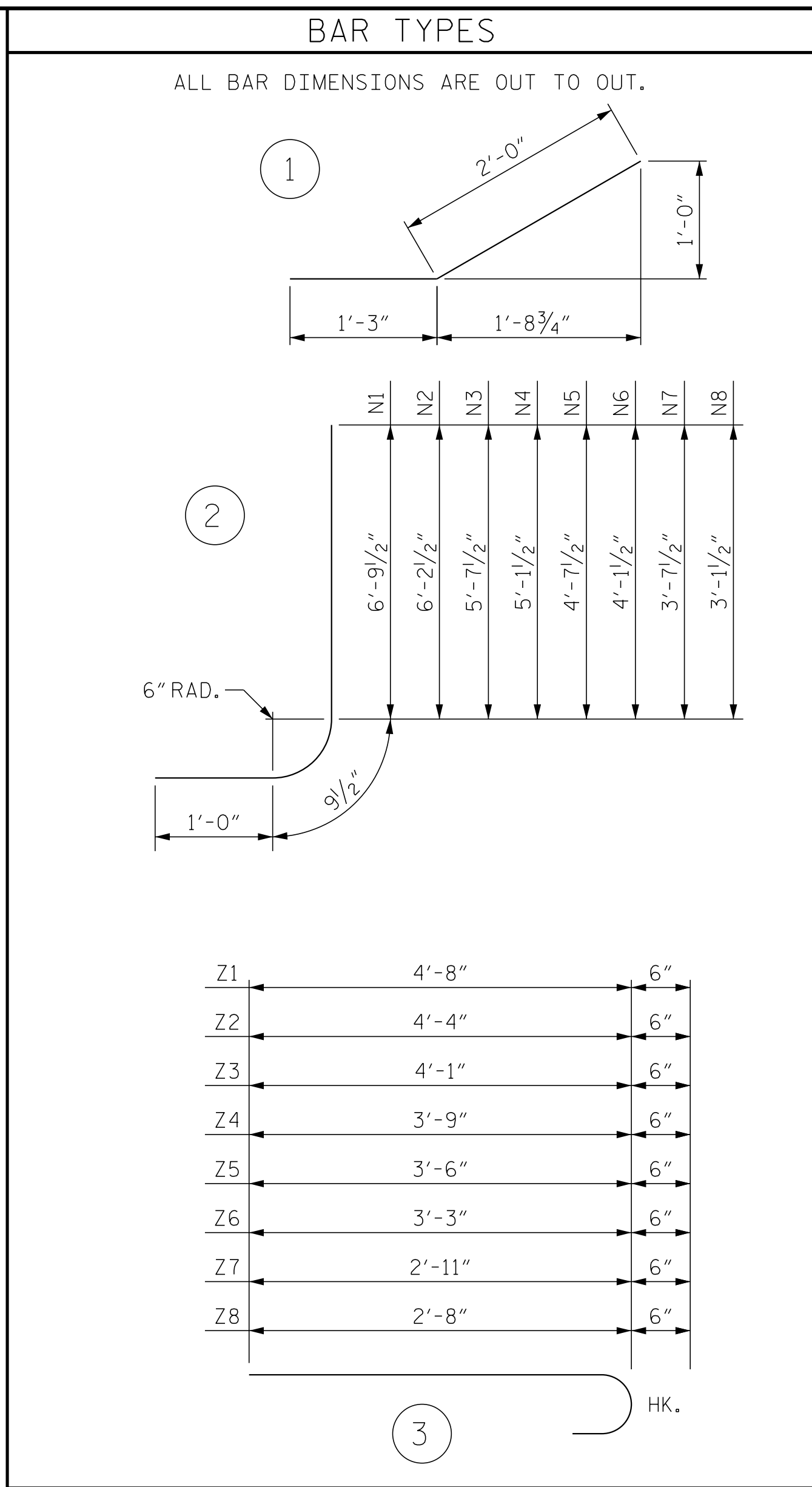


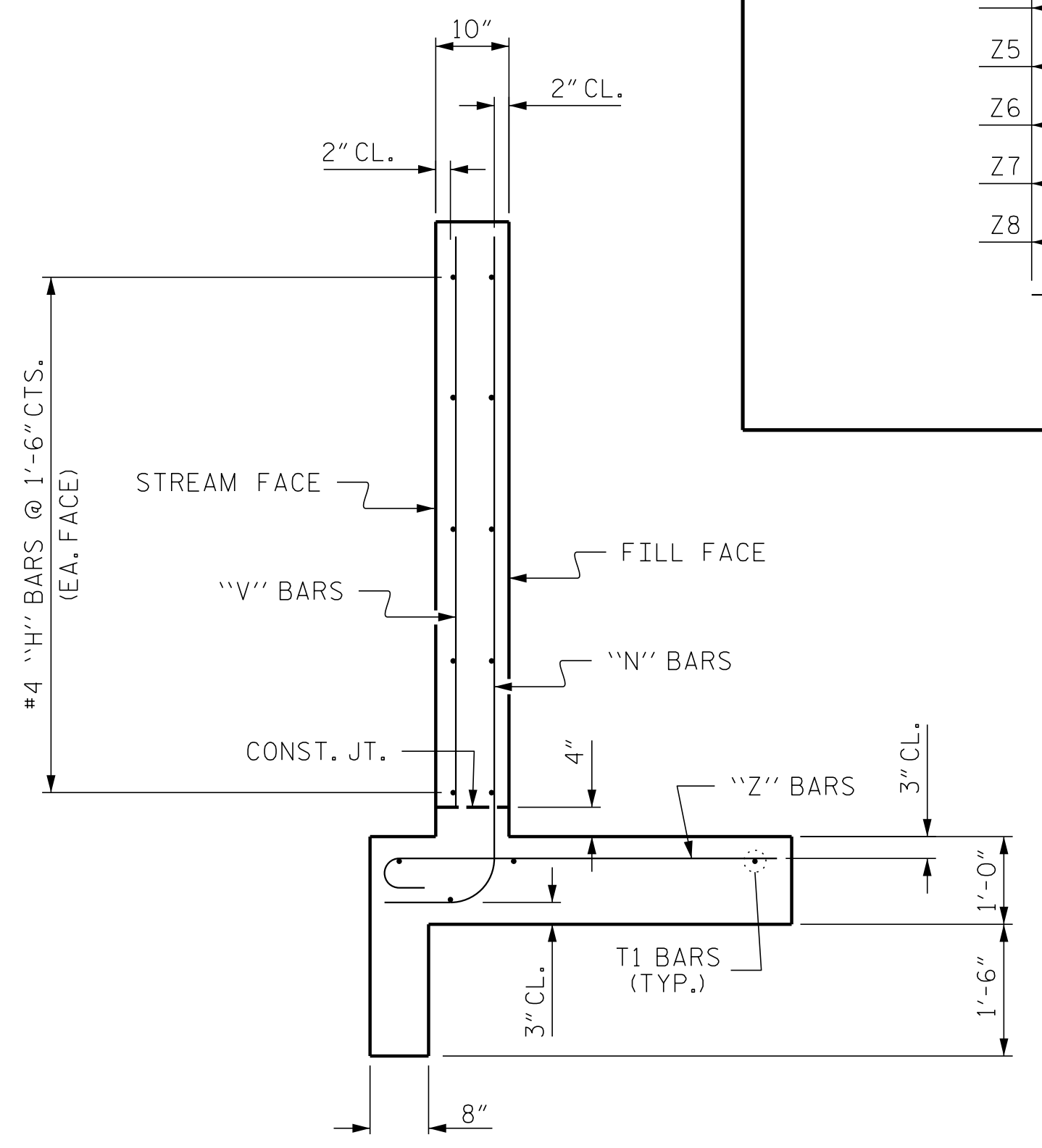
ELEVATION W1

DRAWN BY: B.C. HUNT DATE: 4/18
 CHECKED BY: J.A. DILLWORTH DATE: 4/18



Z1	4'-8"	6"
Z2	4'-4"	6"
Z3	4'-1"	6"
Z4	3'-9"	6"
Z5	3'-6"	6"
Z6	3'-3"	6"
Z7	2'-11"	6"
Z8	2'-8"	6"

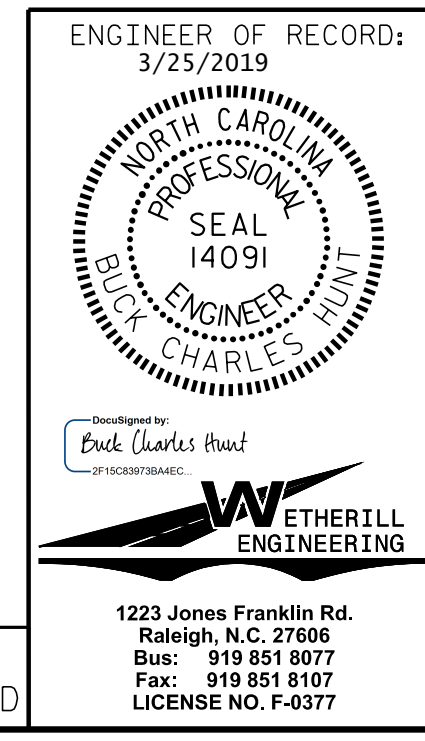
BILL OF MATERIAL					
BAR	NO.	SIZE	TYPE	LENGTH	WEIGHT
H1	16	#4	STR	13'-10"	148
H2	8	#4	STR	11'-5"	61
H3	8	#4	STR	5'-8"	30
H4	8	#4	STR	14'-3"	76
H5	40	#4	1	3'-3"	87
N1	8	#4	2	8'-7"	46
N2	8	#4	2	8'-0"	43
N3	8	#4	2	7'-5"	40
N4	8	#4	2	6'-11"	37
N5	8	#4	2	6'-5"	34
N6	8	#4	2	5'-11"	32
N7	8	#4	2	5'-5"	29
N8	8	#4	2	4'-11"	26
T1	16	#5	STR	15'-7"	260
V1	8	#4	STR	6'-1"	33
V2	8	#4	STR	5'-8"	30
V3	8	#4	STR	5'-2"	28
V4	8	#4	STR	4'-7"	24
V5	8	#4	STR	4'-1"	22
V6	8	#4	STR	3'-7"	19
V7	8	#4	STR	3'-1"	16
V8	8	#4	STR	2'-7"	14
Z1	8	#4	3	5'-2"	28
Z2	8	#4	3	4'-10"	26
Z3	8	#4	3	4'-7"	24
Z4	8	#4	3	4'-3"	23
Z5	8	#4	3	4'-0"	21
Z6	8	#4	3	3'-9"	20
Z7	8	#4	3	3'-5"	18
Z8	8	#4	3	3'-2"	17
REINFORCING STEEL (FOR 4 WINGS)				1312 LBS	
CLASS A CONCRETE WINGS (FOR 4 WINGS)				TOTAL 23.6 CY	



WING SECTION

DOCUMENT NOT CONSIDERED FINAL
 UNLESS ALL SIGNATURES COMPLETED

PROJECT NO. W-5600
 JOHNSTON COUNTY
 STATION: 45+66.22 -L-
 SHEET 10 OF 10



REVISIONS					
NO.	BY:	DATE:	NO.	BY:	DATE:
1			3		
2			4		

STATE OF NORTH CAROLINA DEPARTMENT OF TRANSPORTATION RALEIGH					
WING W1					
SHEET NO. C1-10					TOTAL SHEETS 10

P:\2017\1712101\W-5600\USTO\Structures\Culverts\E2076\W1.dwg
 3/20/2019 1:07:48 PM