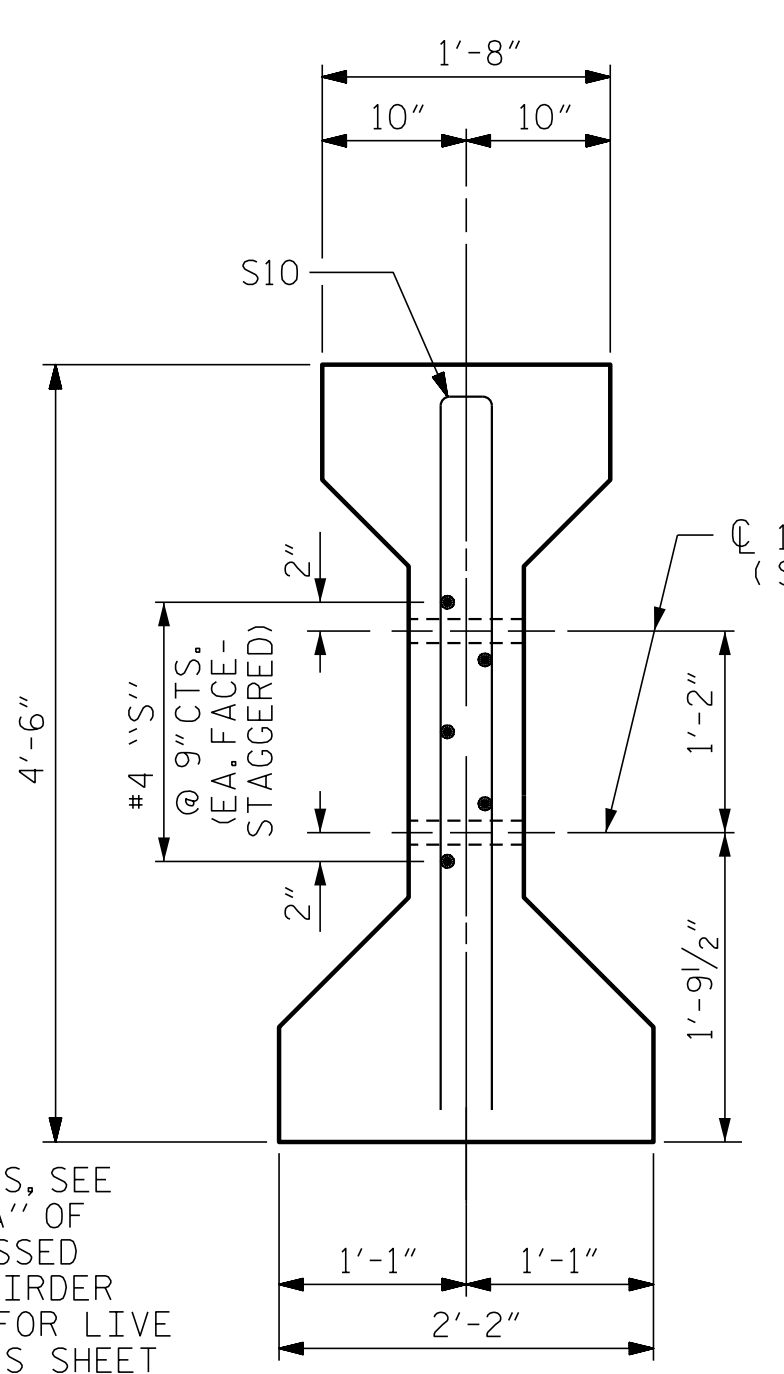
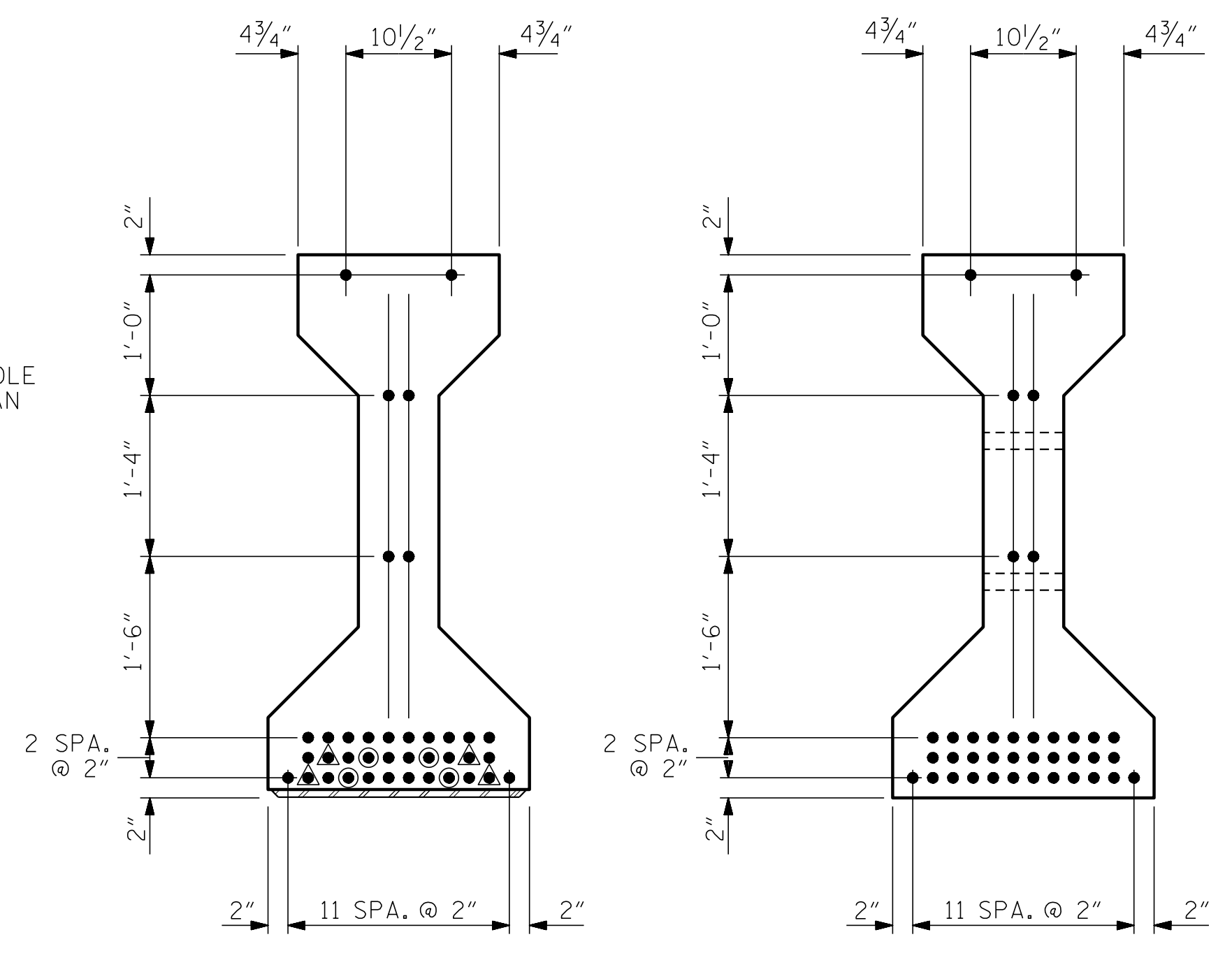


SECTION A-A SECTION B-B

* FOR S7 BARS, SEE DETAIL "A" OF PRESTRESSED CONCRETE GIRDER CONTINUOUS FOR LIVE LOAD DETAILS SHEET

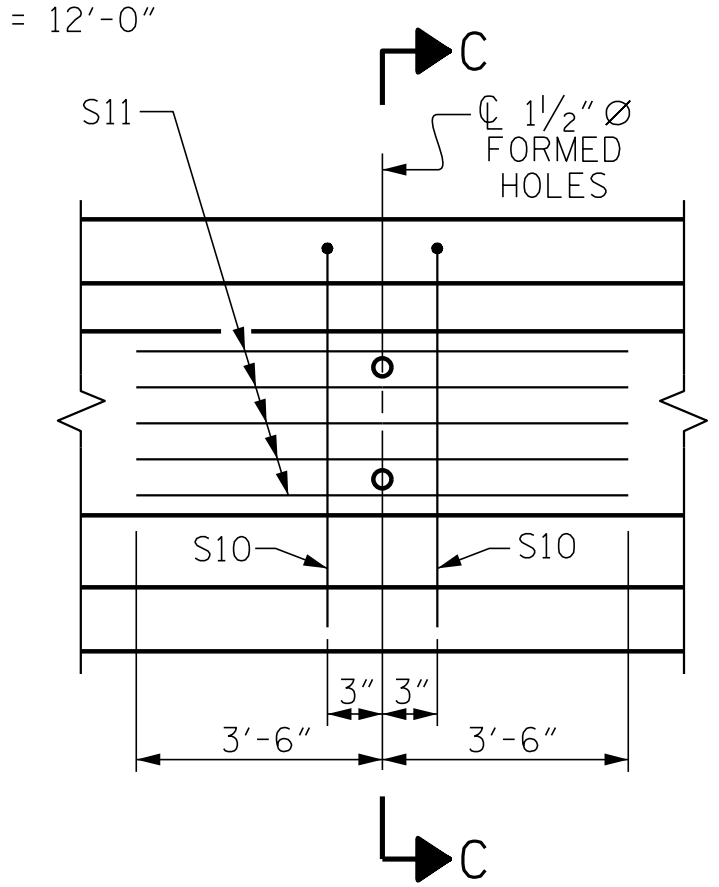


SECTION C-C (S1 BARS NOT SHOWN)



AT END OF GIRDER AT C OF GIRDER
0.6" Ø LOW RELAXATION STRAND LAYOUT

- ▲ DEBONDING LENGTH = 8'-0"
- DEBONDING LENGTH = 12'-0"



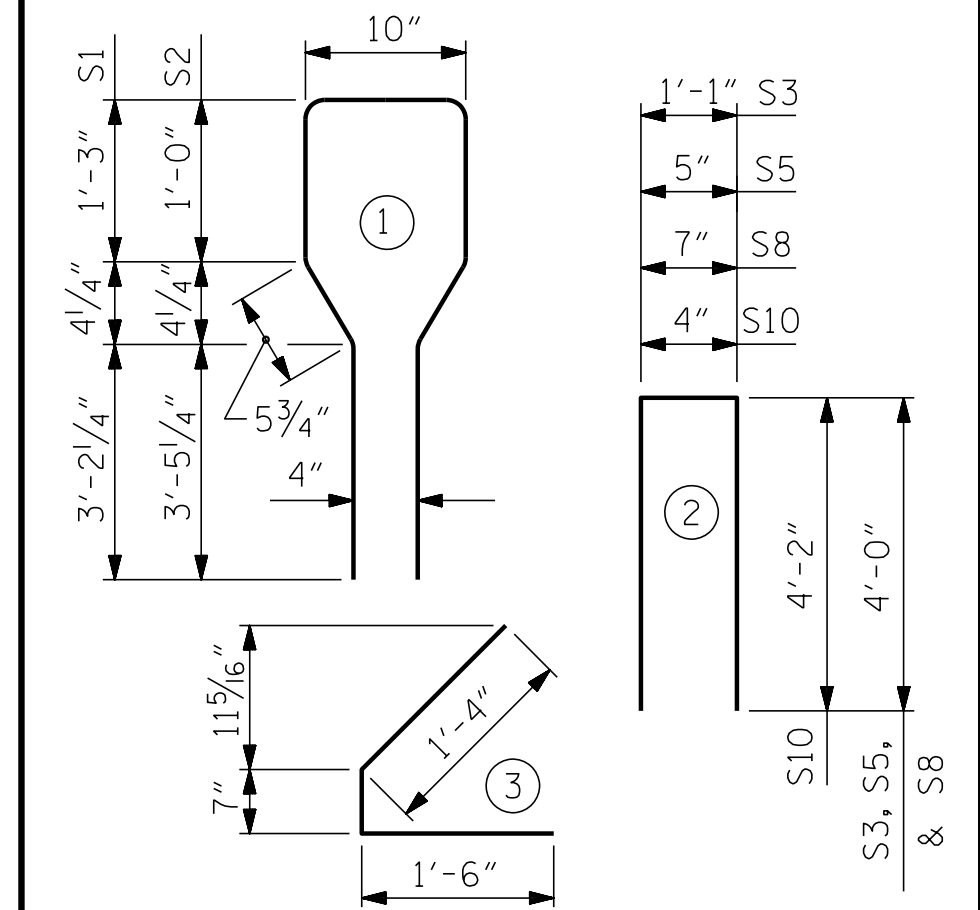
PARTIAL ELEVATION
SHOWING INTERMEDIATE DIAPHRAGM REINFORCING STEEL FOR GIRDERS

0.6" Ø L. R. GRADE 270 STRANDS		
AREA (SQ. INCHES)	ULTIMATE STRENGTH (LBS. PER STRAND)	APPLIED PRESTRESS (LBS. PER STRAND)
0.217	58,600	43,950

REINFORCING STEEL FOR ONE GIRDER					
BAR	NUMBER	SIZE	TYPE	LENGTH	WEIGHT
S1	102	#4	1	10'-8"	727
S2	12	#6	1	10'-8"	192
S3	4	#4	2	9'-1"	24
S4	68	#4	3	3'-5"	155
S5	6	#4	2	8'-5"	34
* S7	18	#5	STR	3'-8"	69
S8	4	#4	2	8'-7"	23
S9	2	#3	STR	1'-10"	1
S10	2	#5	2	8'-8"	18
S11	5	#4	STR	7'-0"	23
S13	1	#3	STR	1'-4"	1

* NOTE: S7 BARS SHALL BE BENT BEFORE SHIPMENT. HEAT BENDING SHALL NOT BE ALLOWED.

BAR TYPES
ALL BAR DIMENSIONS ARE OUT-TO-OUT

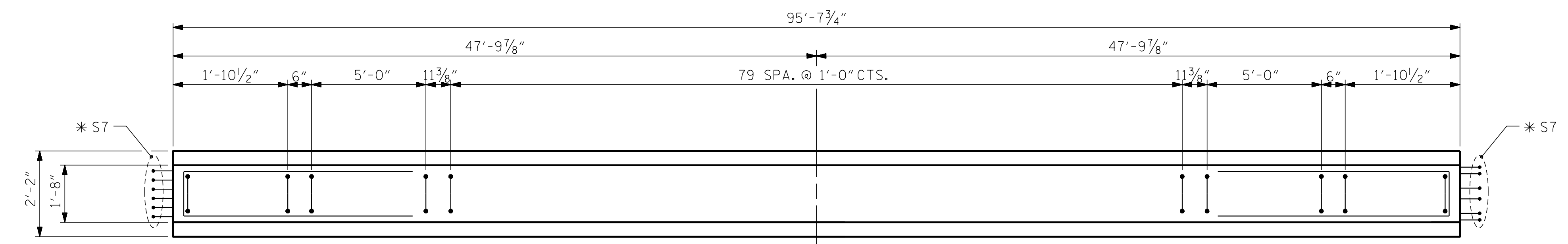


QUANTITIES FOR ONE GIRDER			
REINFORCING STEEL	7500 PSI CONCRETE	0.6" Ø L. R. STRANDS	
LB.	C.Y.	No.	
1,267	19.4	38	

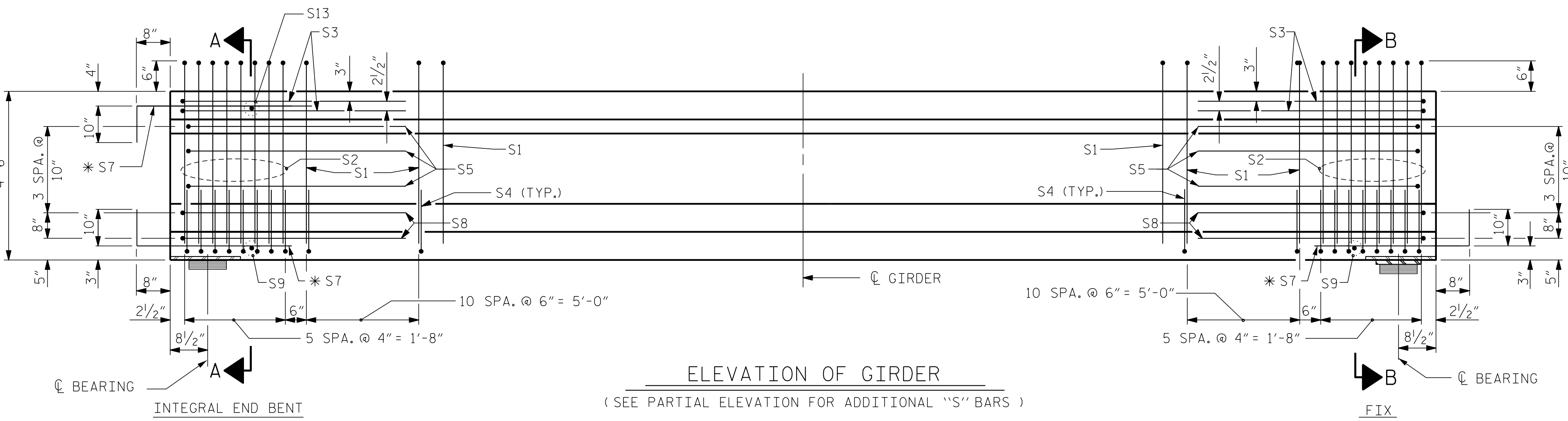
GIRDERS REQUIRED

NUMBER	LENGTH	TOTAL LENGTH
12	95'-7 3/4"	1147'-9"

PROJECT NO. W-5600
JOHNSTON COUNTY
STATION: 27+01.91 -Y7-



PLAN OF GIRDER



ELEVATION OF GIRDER
(SEE PARTIAL ELEVATION FOR ADDITIONAL "S" BARS)

ASSEMBLED BY : D. HODGE	DATE : 11/17
CHECKED BY : G.M. GILLAND	DATE : 1/18
DRAWN BY : ELR 8/91	REV. 10/1/11 MAA/CM
CHECKED BY : GRP 8/91	REV. 1/15 MAA/TMG
	REV. 12/17 MAA/THC

ENGINEER OF RECORD:
3/25/2019

Gregory M. Gilland
ETHERILL ENGINEERING

1223 Jones Franklin Rd.
Raleigh, N.C. 27606
Bus: 919 851 8077
Fax: 919 851 8107
LICENSE NO. F-0377

STATE OF NORTH CAROLINA
DEPARTMENT OF TRANSPORTATION
RALEIGH

STANDARD
AASHTO TYPE IV
PRESTRESSED CONCRETE GIRDER
CONTINUOUS FOR LIVE LOAD

REVISIONS						SHEET NO.
NO.	BY:	DATE:	NO.	BY:	DATE:	S3-10
1			3			TOTAL SHEETS
2			4			32

DOCUMENT NOT CONSIDERED FINAL
UNLESS ALL SIGNATURES COMPLETED

P:\2017\1712 1.01.W-5600_USTO.Structures\06M-Y7-over-L.W-5600_YT_PCG_WE.I.dgn 3/20/2019 10:24:05 AM