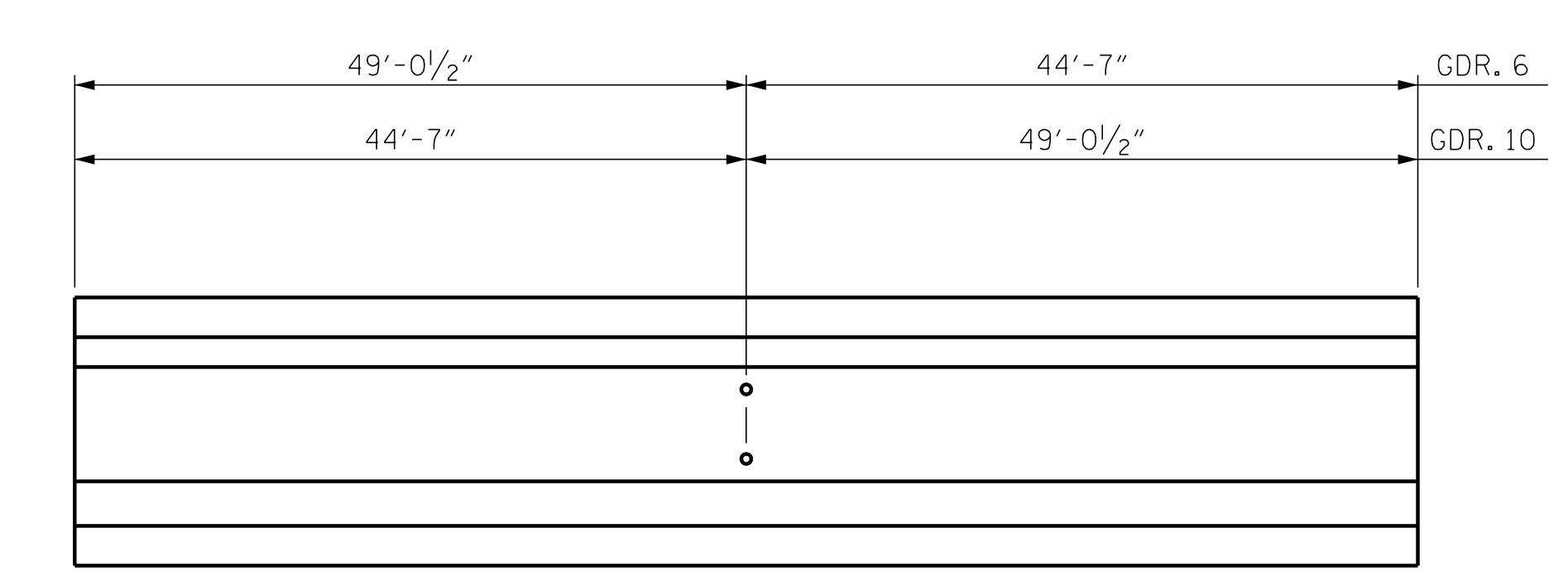
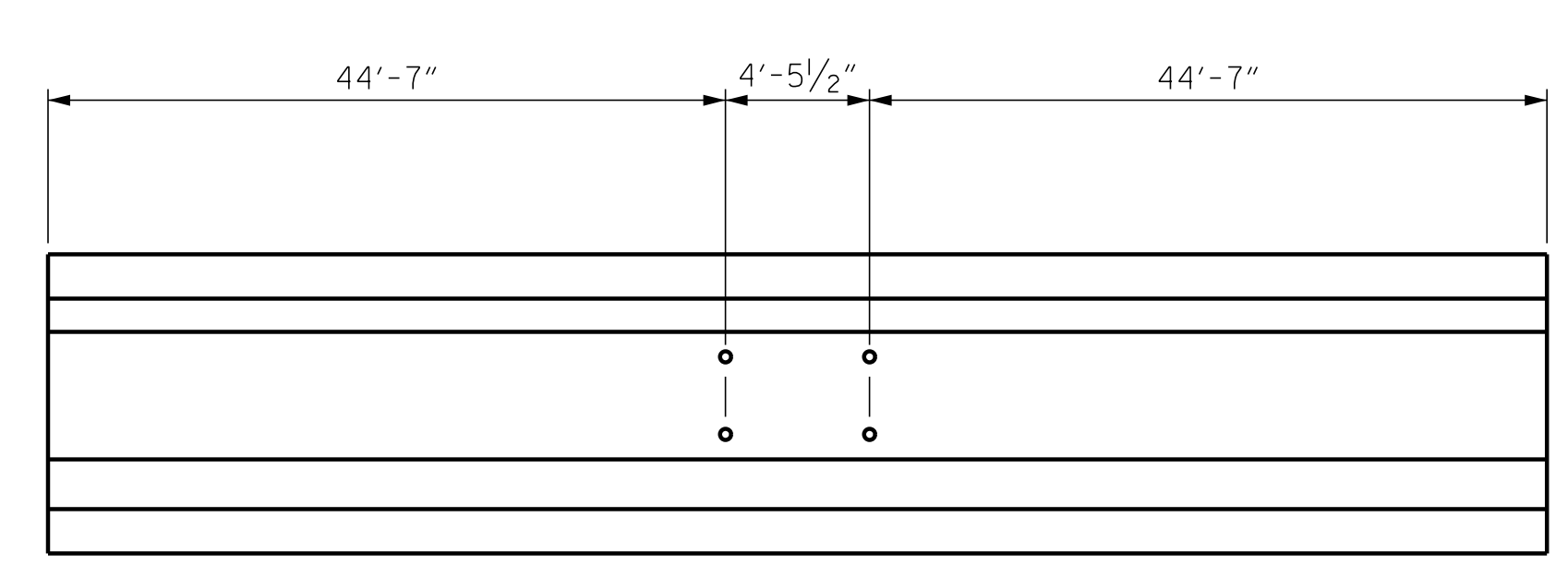


SPAN A
GIRDER LAYOUT
 ALL GIRDERS ARE PARALLEL TO LONG CHORD.



ELEVATION OF EXTERIOR GIRDERS
 SHOWING LOCATION OF 1/2" Ø HOLES IN WEB
 UP STATION →



ELEVATION OF INTERIOR GIRDERS
 SHOWING LOCATION OF 1/2" Ø HOLES IN WEB
 UP STATION →

PROJECT NO. W-5600
JOHNSTON COUNTY
 STATION: 217+31.76 -L-

ENGINEER OF RECORD:
 3/25/2019

 Gregory M. Gilliland
 WETHERILL ENGINEERING
 1223 Jones Franklin Rd.
 Raleigh, N.C. 27606
 Bus: 919 851 8077
 Fax: 919 851 8107
 License No. F-0377

STATE OF NORTH CAROLINA DEPARTMENT OF TRANSPORTATION RALEIGH					
SUPERSTRUCTURE FRAMING PLAN (RIGHT LANE)					
REVISIONS					
NO.	BY:	DATE:	NO.	BY:	DATE:
1			3		
2			4		
					SHEET NO. S2-7 TOTAL SHEETS 18

DRAWN BY: D. HODGE DATE: 1/18
 CHECKED BY: G.M. GILLAND DATE: 2/18

DOCUMENT NOT CONSIDERED FINAL
 UNLESS ALL SIGNATURES COMPLETED

P:\2017\1712101\W-5600_STRUCTURES\GMA-L-over-y9.dgn (RIGHT LANE) WE I.dgn
 3/20/2019 9:03:04 AM