

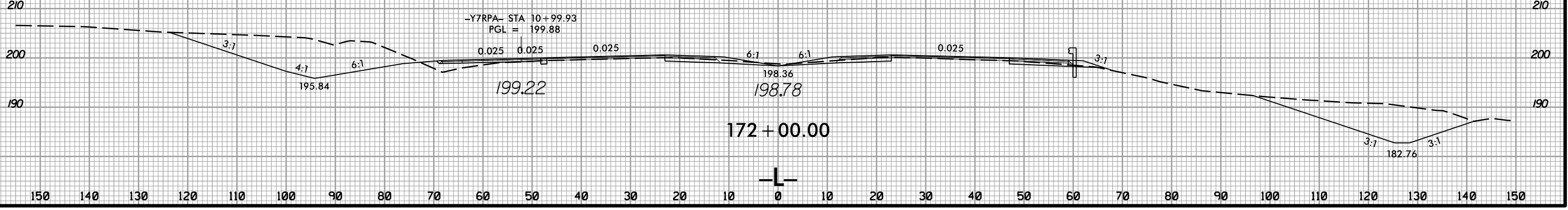
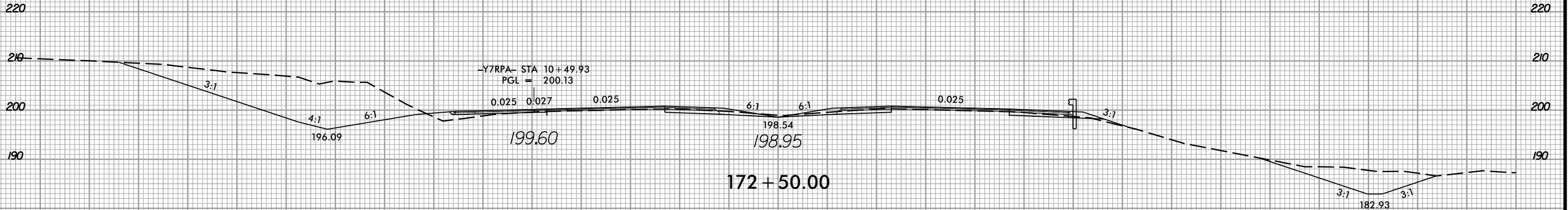
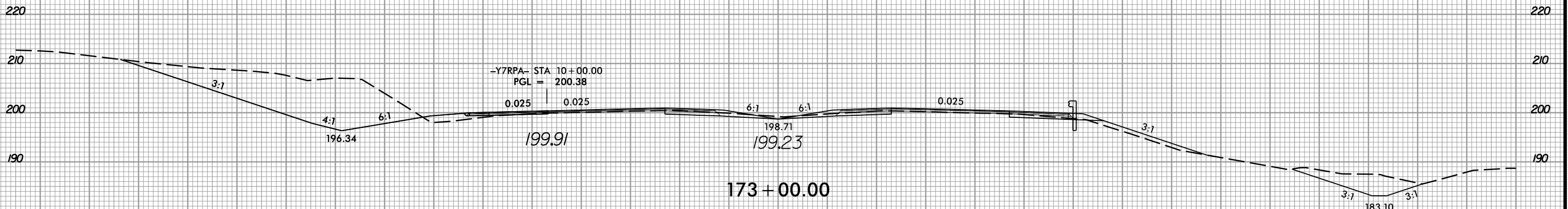
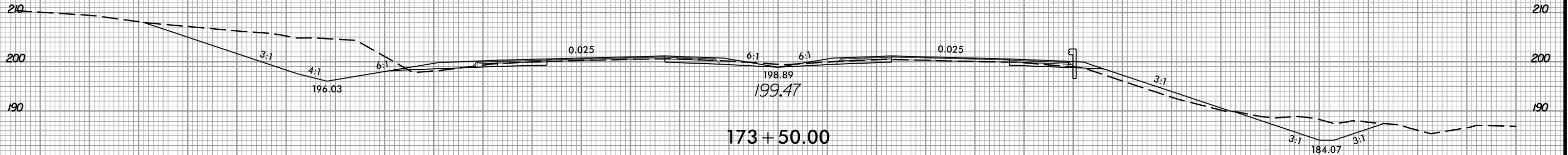
8/23/99



PROJ. REFERENCE NO.
W-5600

SHEET NO.
X-64

150 140 130 120 110 100 90 80 70 60 50 40 30 20 10 0 10 20 30 40 50 60 70 80 90 100 110 120 130 140 150



12/21/2020
11:53:50
11:53:50