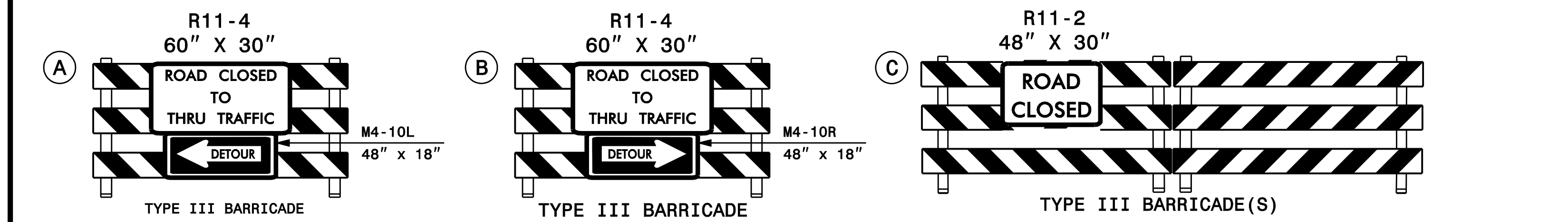


SIGN NUMBER: name	BACKG COLOR: Fluorescent Orange	DESIGN BY: none	CHECKED BY: none	DATE: Jun 07, 2019
TYPE: STATIONARY	COPY COLOR: Black	PROJECT ID: ID	DIV: DIV	
QUANTITY: SEE PLANS		<p>Spacing Factor is 1 unless specified otherwise</p>		
SIGN WIDTH: 3'-0"				
HEIGHT: 1'-6"				
TOTAL AREA: 4.5 Sq.Ft.				
BORDER TYPE: INSET				
RECESS: 0.47"				
WIDTH: 0.63"				
RADII: 1.5"				
NO. Z BARS:				
LENGTH:				
<p>USE NOTES: 1,2</p> <p>1. Legend and border shall be direct applied black non-reflective sheeting.</p> <p>2. Background shall be NC GRADE B fluorescent orange retroreflective sheeting.</p>				

LETTER POSITIONS

Letter locations are panel edge to lower left corner

W	I	L	S	O	N	S											Series/Size
8.7	12.3	13.7	16.1	19	22.1	25.1											C 2000
																	18.6
M	I	L	L	S	R	D											Series/Size
7.3	10.8	12.3	14.9	17.3	19.5	23.5	26.4										C 2000
																	21.4



PLAN PREPARED IN THE OFFICE OF:

PROGRESSIVE DESIGN GROUP, INC.

ENGINEERS • CONSULTANTS

APPROVED: *Tim Gray* DATE: 5/5/2020

SEAL

TRANSPORTATION MANAGEMENT PLAN

-Y9- WILSONS MILLS RD ALT. OFFSITE DETOUR ROUTE