

STATE OF
NORTH CAROLINA
DEPT. OF TRANSPORTATION
DIVISION OF HIGHWAYS
RALEIGH, N.C.

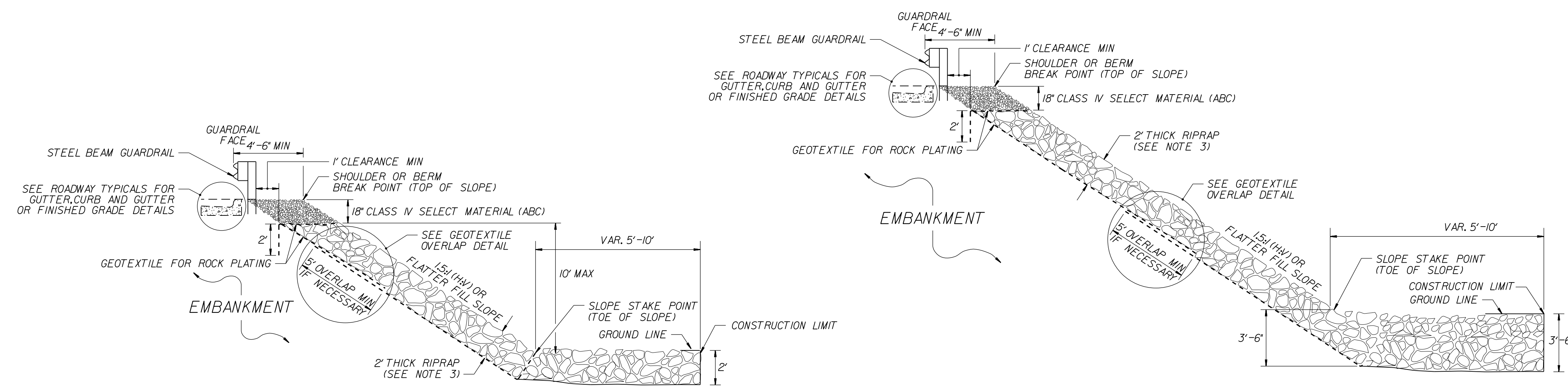
ROADWAY DETAIL DRAWING FOR
ROCK PLATING

SHEET 1 OF 1
275D01

STATE OF
NORTH CAROLINA
DEPT. OF TRANSPORTATION
DIVISION OF HIGHWAYS
RALEIGH, N.C.

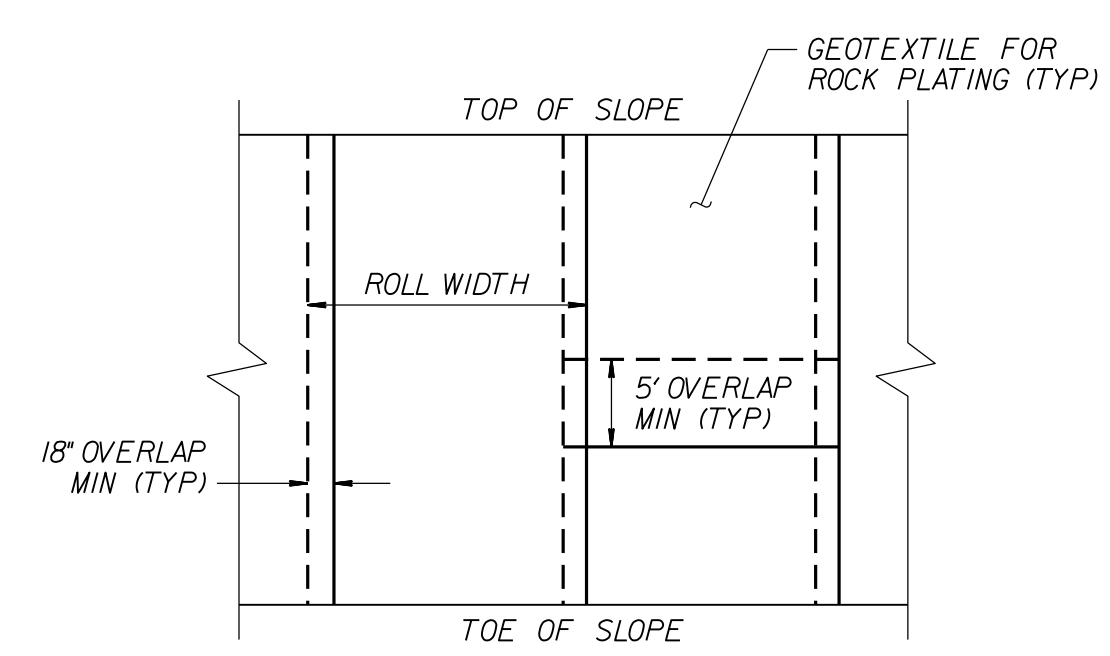
ROADWAY DETAIL DRAWING FOR
ROCK PLATING

SHEET 1 OF 1
275D01



ROCK PLATING DETAIL NO. 1 - TYPICAL SECTION

ROCK PLATING DETAIL NO. 2 - TYPICAL SECTION



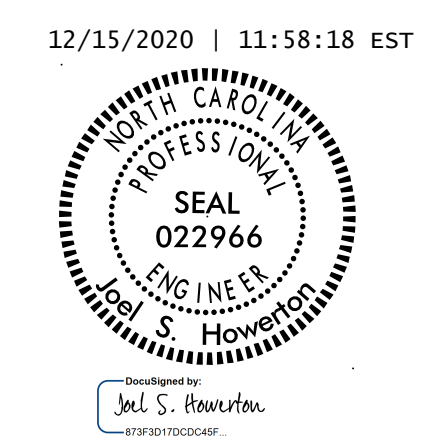
**GEOTEXTILE OVERLAP DETAIL
(PLAN VIEW)**

- NOTES:**
- SEE ROADWAY PLANS AND SUMMARY SHEETS FOR ROCK PLATING LOCATIONS.
 - FOR ROCK PLATING, SEE SECTION 275 OF THE STANDARD SPECIFICATIONS.
 - USE CLASS I, 2 OR B RIPRAP UNLESS REQUIRED OTHERWISE IN THE ROADWAY SUMMARY SHEETS.

04-FEB-2019 10:54 S:\Contracts\Special Details\Howerton\Rock Plating Detail.dgn .Howerton AT USD-292595

5/14/99

DOCUMENT NOT CONSIDERED FINAL
UNLESS ALL SIGNATURES COMPLETED



**CONTRACT STANDARDS
AND DEVELOPMENT UNIT**
Office 919-707-6950 FAX 919-250-4119

SEE TITLE BLOCK

ORIGINAL BY: J.S. HOWERTON DATE: 7/7/11
 MODIFIED BY: _____ DATE: _____
 CHECKED BY: _____ DATE: _____
 FILE SPEC: stds/2012CurbRamp/CurbRampDetails.dgn