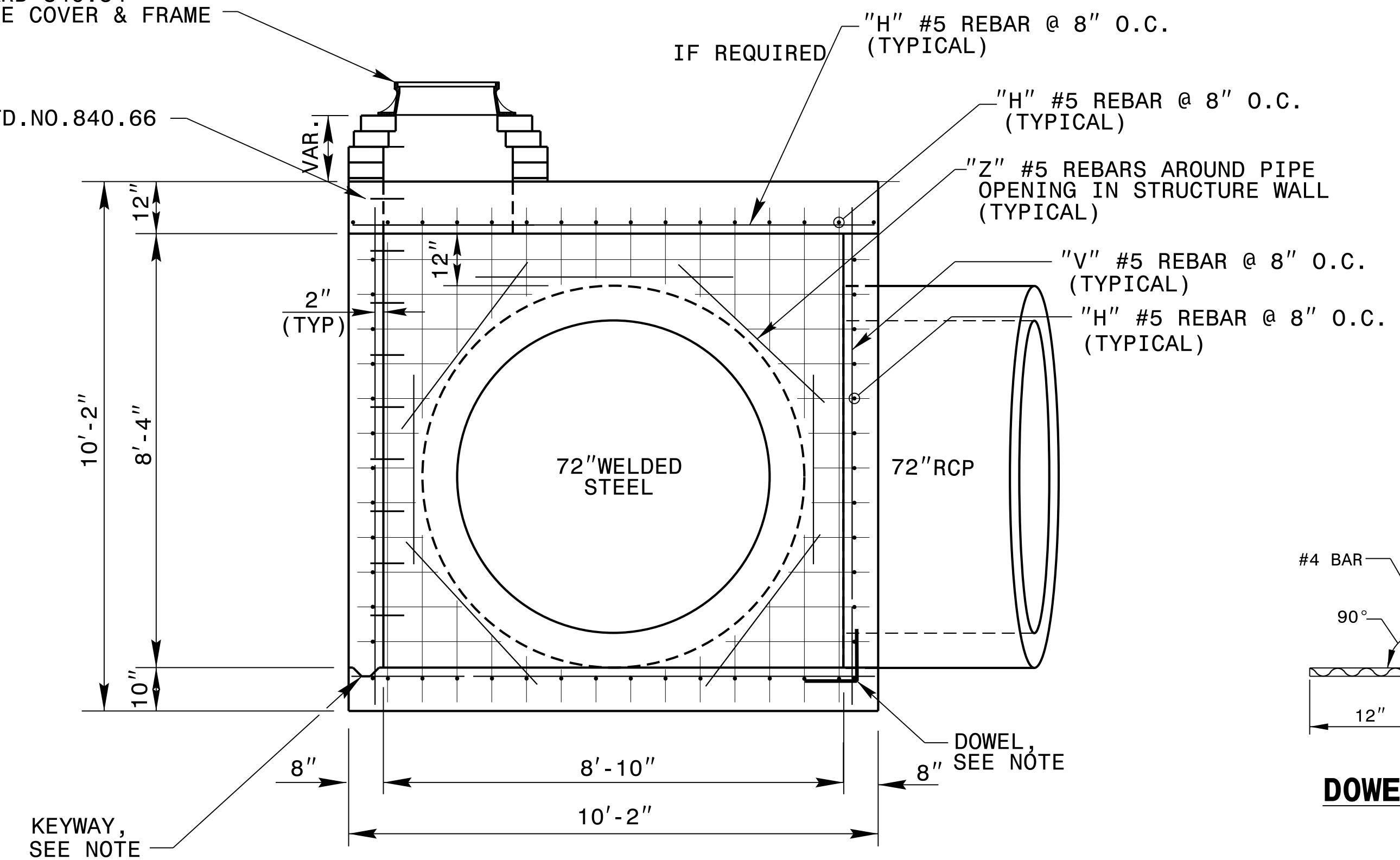


SEE STANDARD 840.54 FOR MANHOLE COVER & FRAME

SEE STEP STD.NO.840.66



SECTION A-A

GENERAL NOTES:

USE CLASS "B" CONCRETE THROUGHOUT.

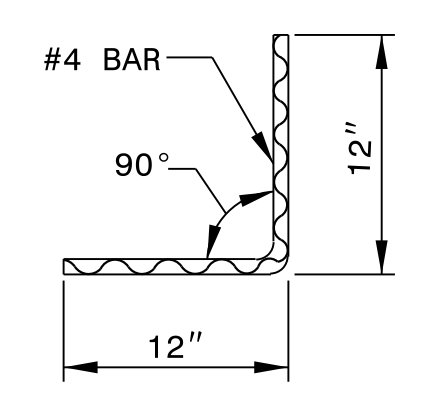
OPTIONAL CONSTRUCTION - MONOLITHIC POUR, 2" KEYWAY, OR #4 BAR DOWELS AT 12" CENTERS OR BRICK/BLOCK WALLS AS DIRECTED BY THE ENGINEER.

USE FORMS FOR THE CONSTRUCTION OF THE BOTTOM SLAB.

BOX DIMENSIONS MAY BE FIELD ADJUSTED AS DIRECTED BY THE ENGINEER.

2" MINIMUM CONCRETE COVERAGE ON ALL REBAR.

PROVIDE ALL JUNCTION BOXES OVER 3'-6" IN DEPTH WITH STEPS 12" ON CENTER. USE STEPS WHICH COMPLY WITH STD. DRAWING 840.66.



DOWEL

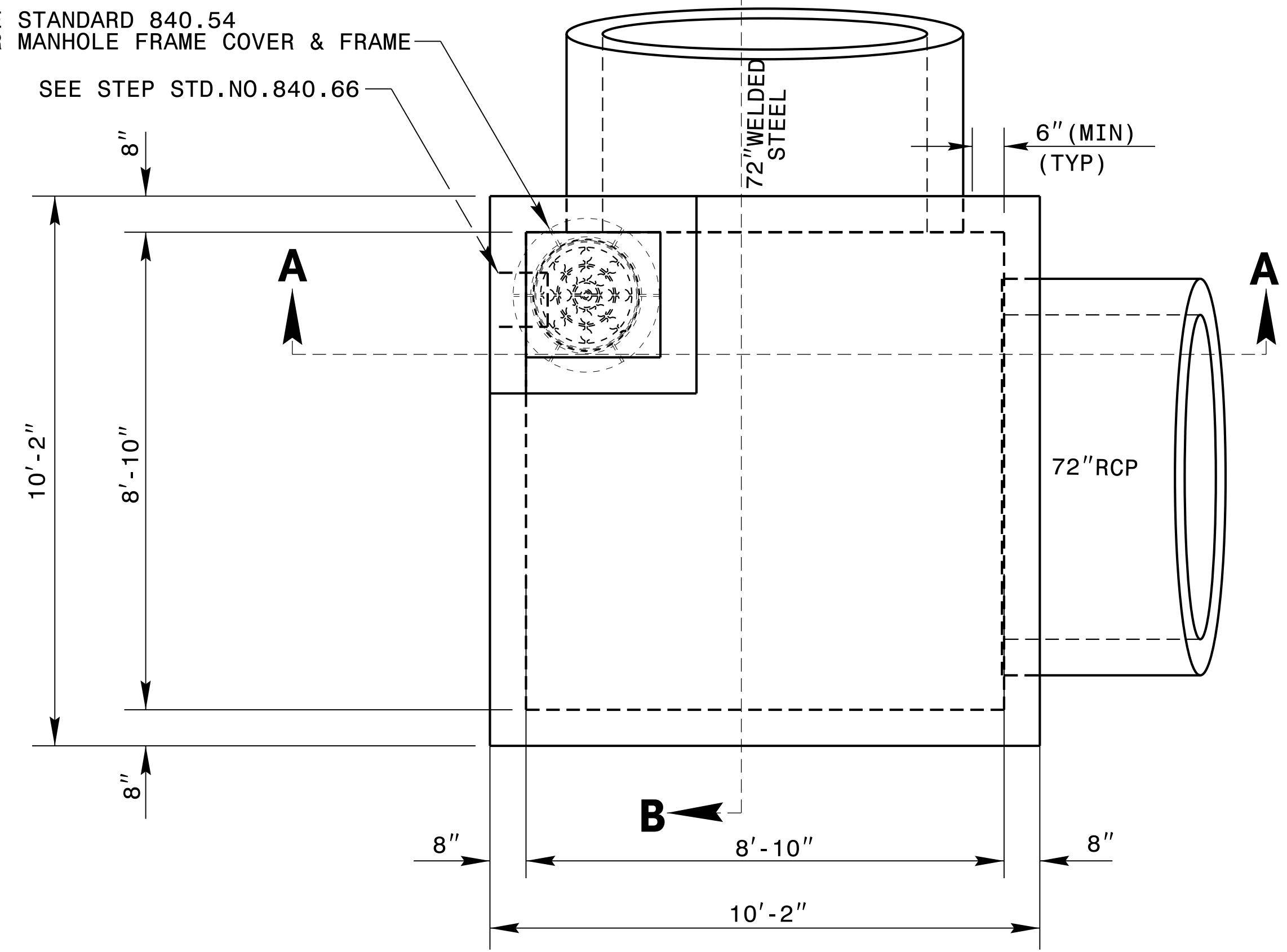
BILL OF MATERIALS				
BAR	NO.	SIZE	LENGTH	WEIGHT
H	84	#5	9'-6"	833
V	70	#5	9'-2"	670
Z	14	#5	5'-0"	74
TOTAL REINF. STEEL (LBS.)				1577
TOTAL CONC. (CU. YDS.)				* 15.2

* NO DEDUCTION HAS BEEN MADE FOR PIPES

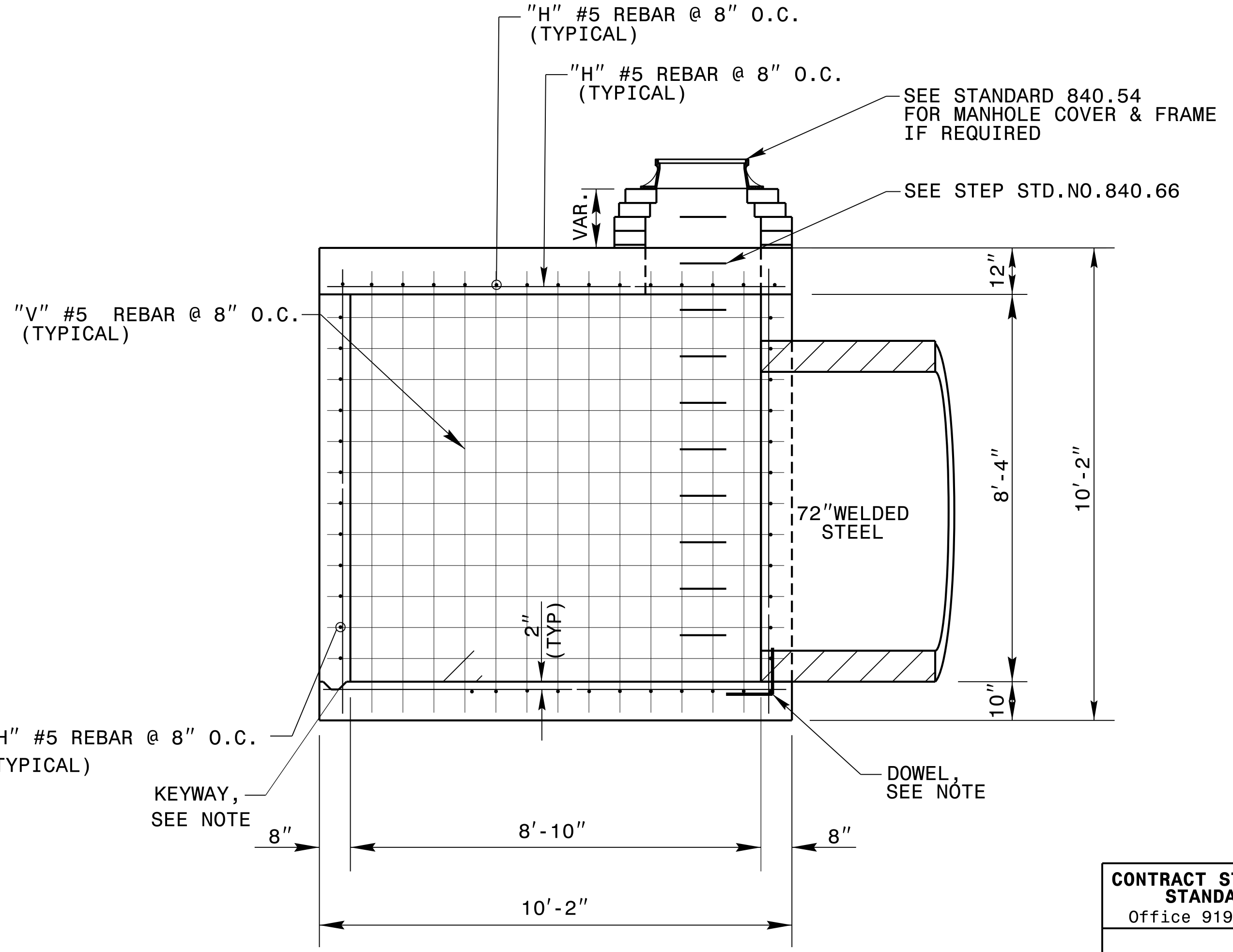
* 2.00 CU. YD. DEDUCTION FOR 2-72" RC PIPE

SEE STANDARD 840.54 FOR MANHOLE FRAME COVER & FRAME

SEE STEP STD.NO.840.66



PLAN VIEW



SECTION B-B

12/15/2020 | 11:58:18 EST



DOCUMENT NOT CONSIDERED FINAL UNLESS ALL SIGNATURES COMPLETED

CONTRACT STANDARDS & DEVELOPMENT UNIT
STANDARDS AND SPECIAL DESIGN
 Office 919-707-6950 FAX 919-250-4119

SPECIAL JUNCTION BOX WITH SLAB LID

ORIGINAL BY: _____ DATE: _____
 MODIFIED BY: nbritt DATE: 04/17/09
 CHECKED BY: _____ DATE: _____
 FILE SPEC.: detail/nbritt/english/rural/r2417c72jb.dgn

I:\4-FEB-2018 13:14
 S:\Contracts\Special Details\nbritt\english\rural\2417c 72_jb.dgn
 J:\overton AT_CSD-292595

5/14/99