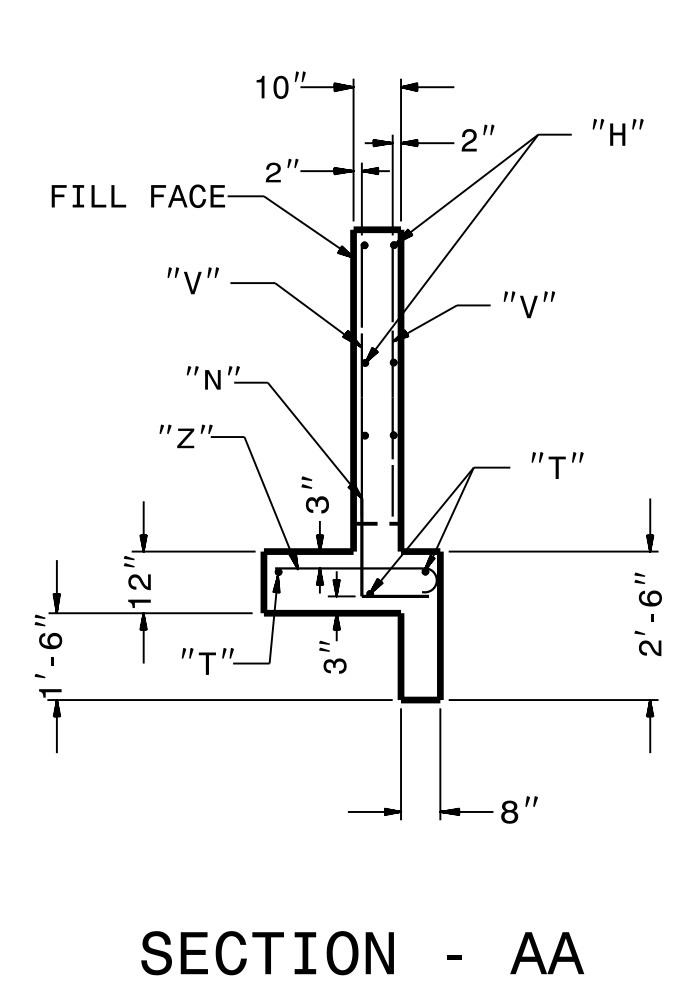
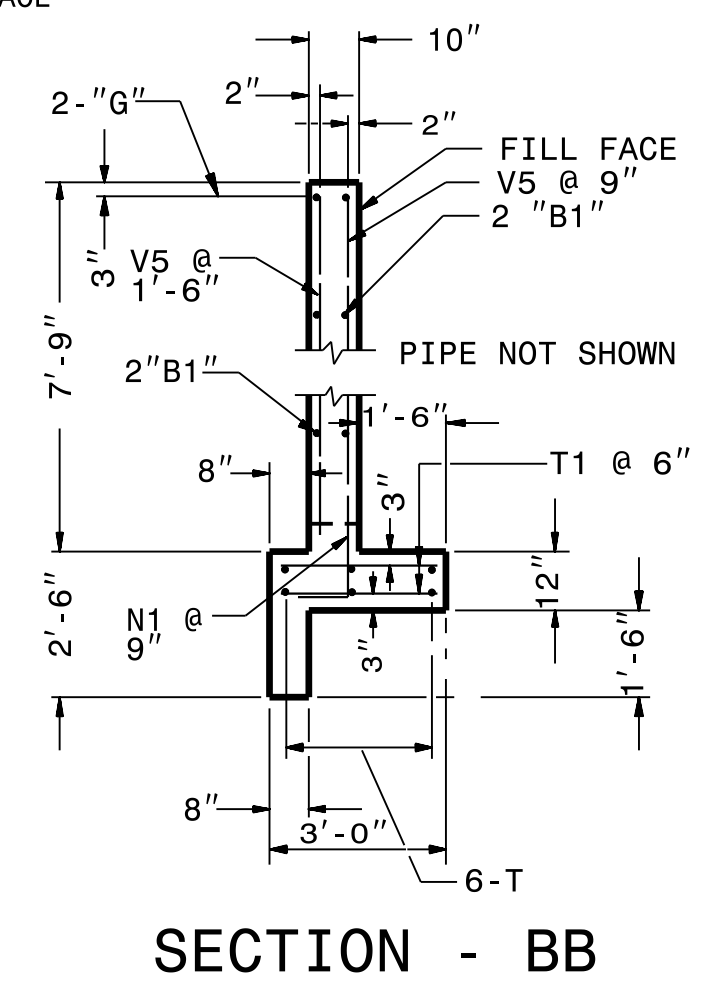
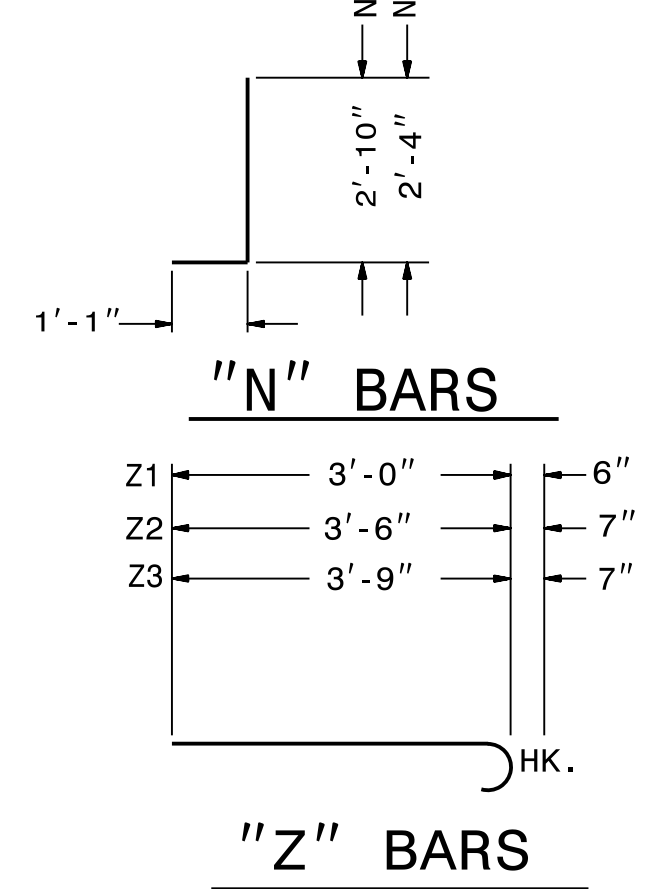
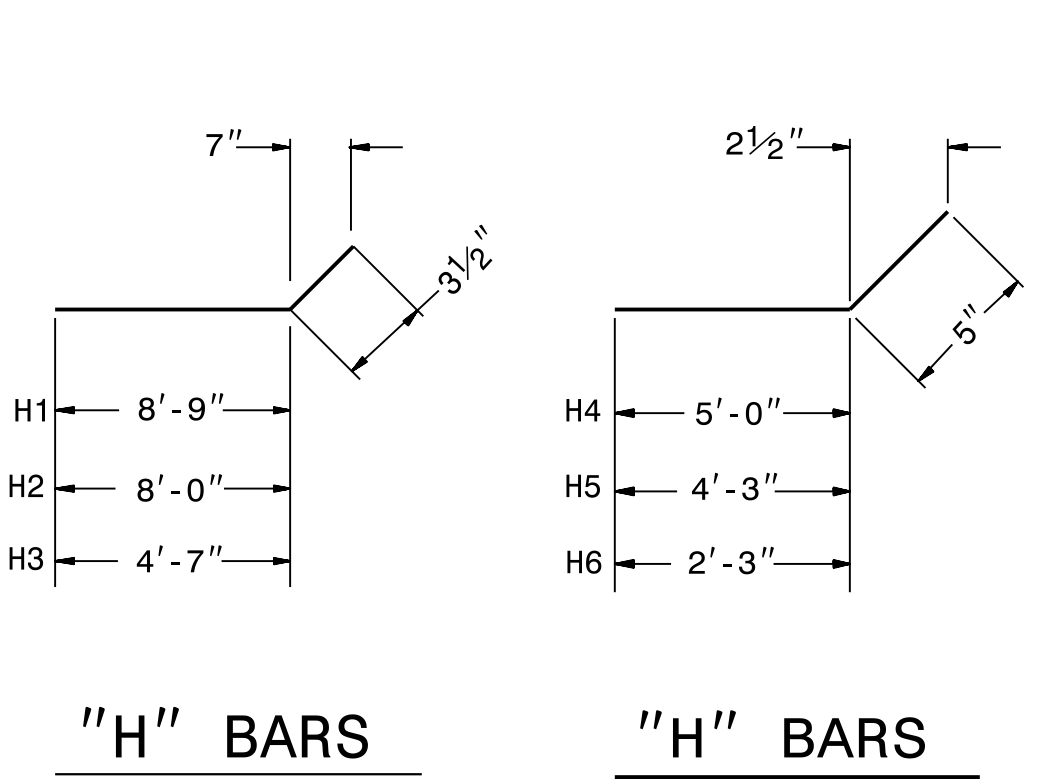
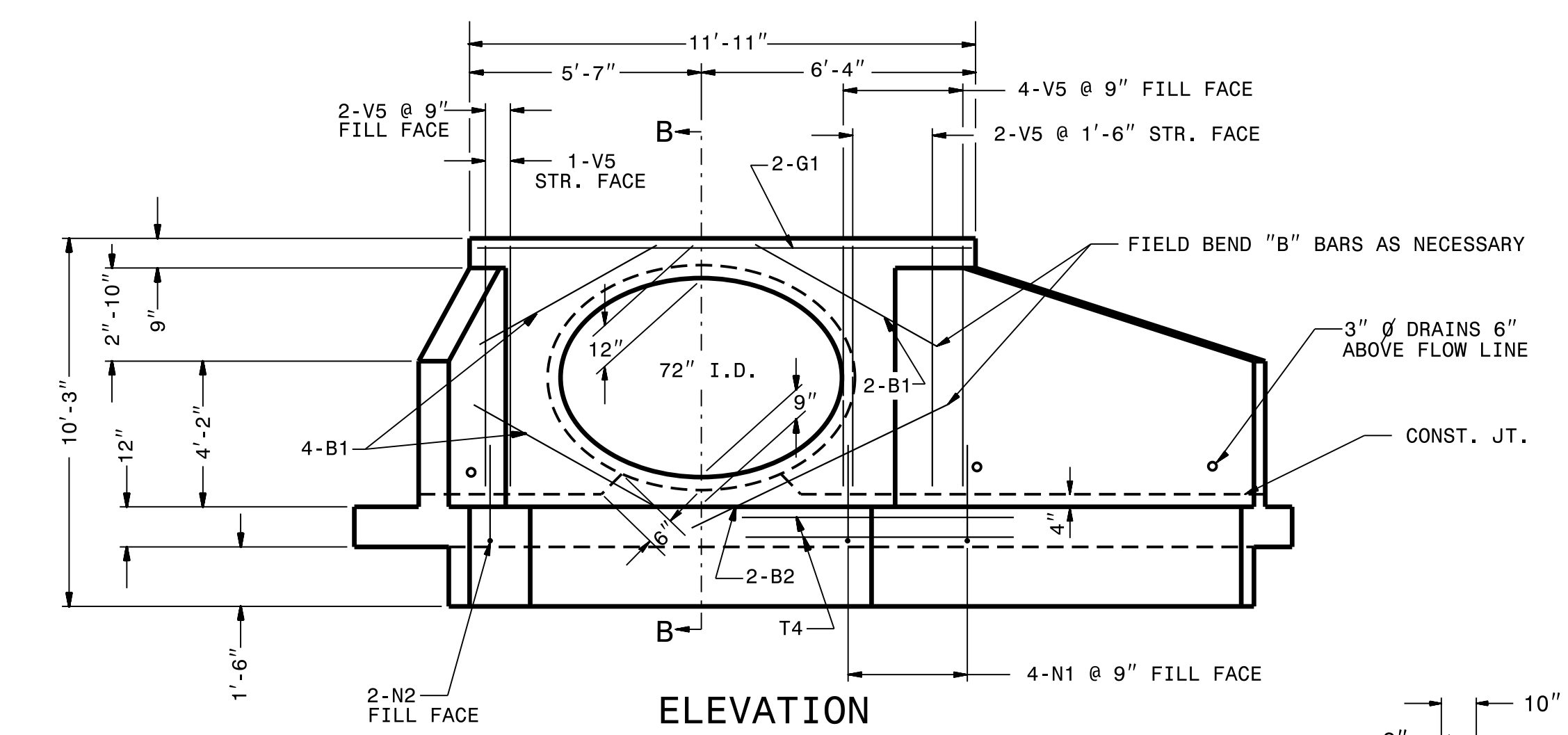
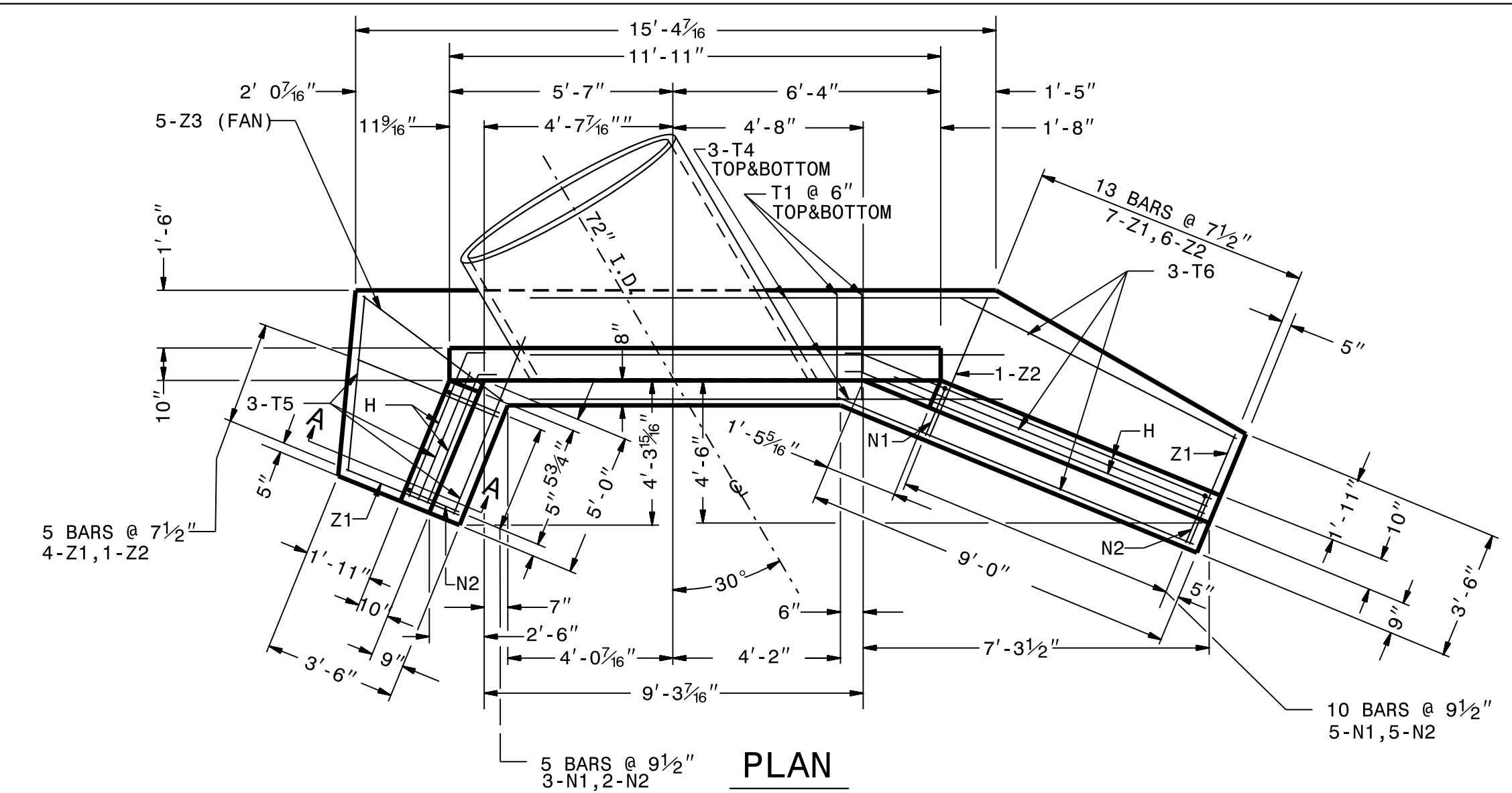


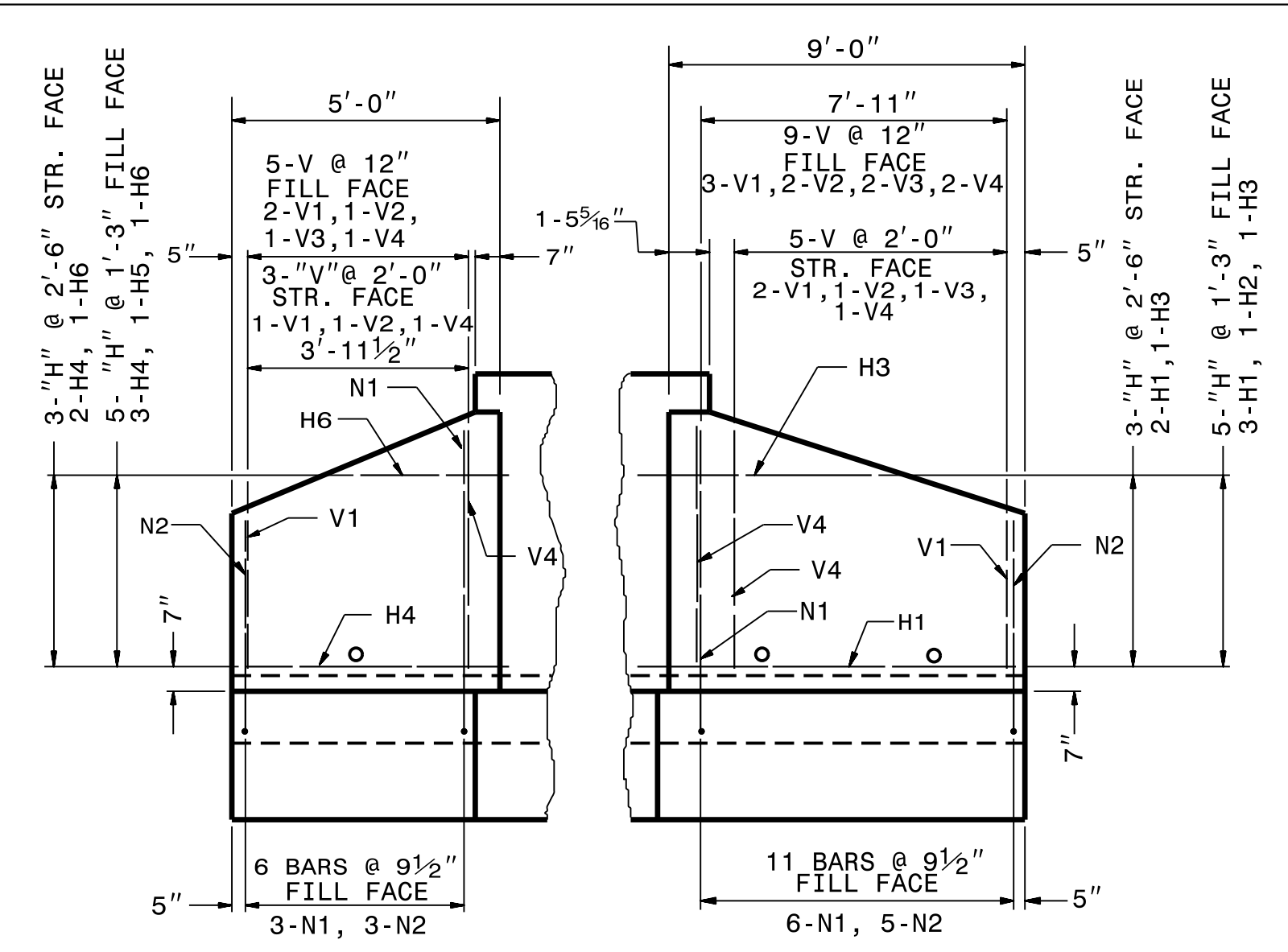
STATE OF NORTH CAROLINA DEPT. OF TRANSPORTATION DIVISION OF HIGHWAYS RALEIGH, N.C.

ENGLISH DETAIL DRAWING FOR REINFORCED CONCRETE ENDWALL FOR SINGLE 72" PIPE 60° OR 120° SKEW

SHEET 1 OF 1 838D41



NOTES: ALL CONCRETE TO BE CLASS "A". ALL REINFORCING STEEL TO BE ASTMA615-GRADE 60. ALL REINFORCING STEEL TO BE DEFORMED BARS. WHERE SPLICING OF REINFORCEMENT IS NECESSARY, BARS ARE TO BE LAPPED 45 DIAMETERS. ALL DIMENSIONS RELATIVE TO REINFORCEMENT ARE TO CENTERS OF BARS. THE FOOTING, CURTAIN WALL AND 4\"/>

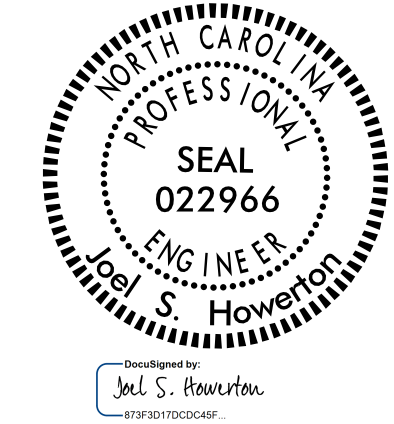


WING ELEVATION

Table with columns: BAR, REIN. STEEL, SIZE, LENGTH, NO., WEIGHT, PIPE. Lists quantities for various bar types (Z1, Z2, Z3, N1, N2, V1, V2, V3, V4, V5, H1, H2, H3, H4, H5, H6, G1, T1, T4, T5, T6, B1, B2) and total material weights for steel, concrete, and rebar.

DRAWING NOT TO SCALE

12/15/2020 | 11:58:18 EST



CONTRACT STANDARDS & DEVELOPMENT UNIT STANDARDS AND SPECIAL DESIGN Office 919-707-6950 FAX 919-250-4119

DETAIL OF REINFORCED CONCRETE ENDWALL FOR SINGLE 72\"/>

ORIGINAL BY: DATE: MODIFIED BY: rnbritt DATE: 06-23-10 CHECKED BY: DATE: FILE SPEC.: details/rbritten/english/hydro/72endwall1,60sk.dgn

DOCUMENT NOT CONSIDERED FINAL UNLESS ALL SIGNATURES COMPLETED

26-NOV-2019 07:34 S:\Contracts\Special Details\english\hydro\endwalls.dgn JHowerton AT_CSD-320965

STATE OF NORTH CAROLINA DEPT. OF TRANSPORTATION DIVISION OF HIGHWAYS RALEIGH, N.C.

ENGLISH DETAIL DRAWING FOR REINFORCED CONCRETE ENDWALL FOR SINGLE 72\"/>

SHEET 1 OF 1 838D41